

LOW LEVEL PEDESTAL CISTERN (9.041.020)

TECE
close to you

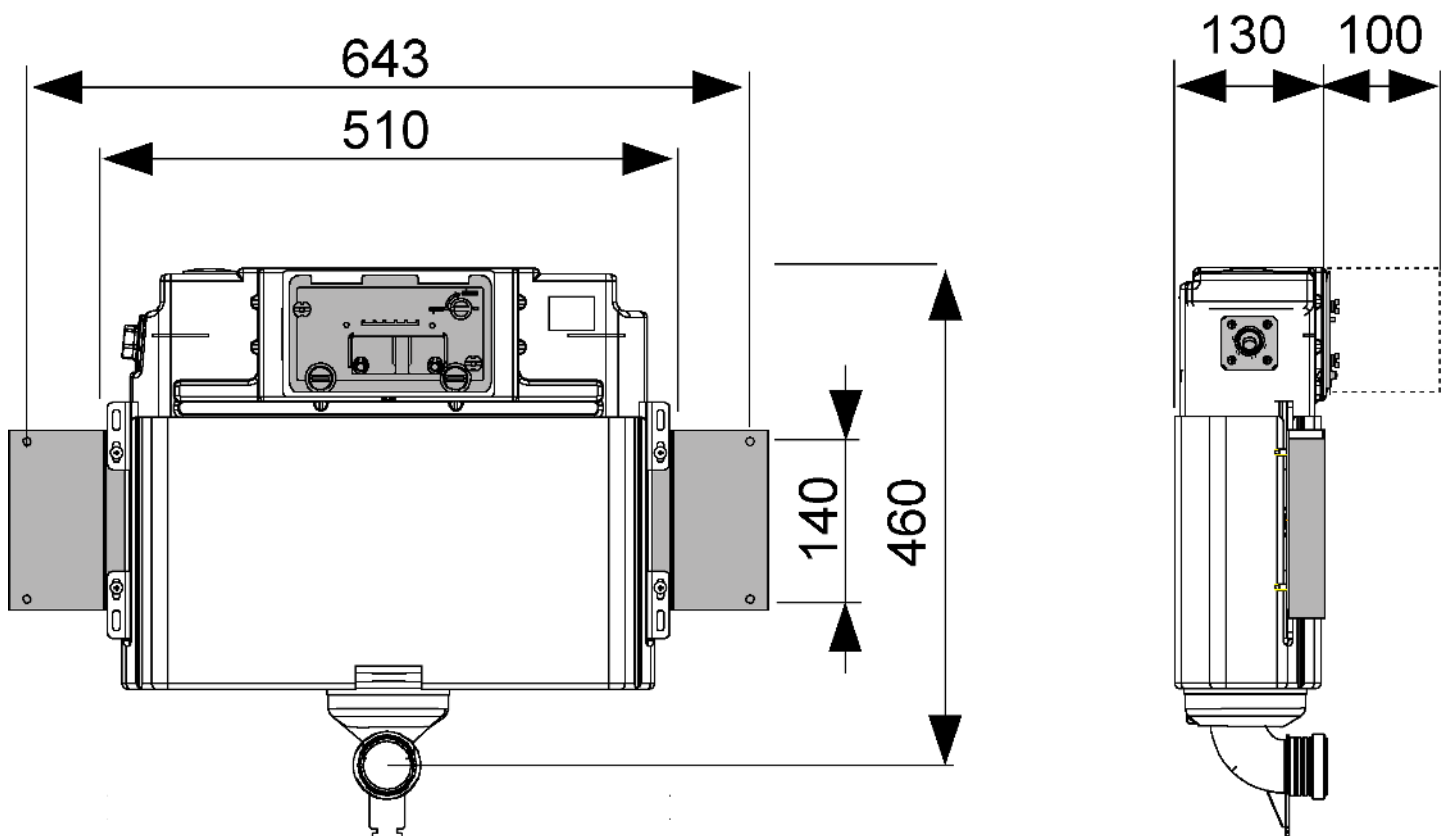
Suitable for use in:
Minimum height installation ie
Under a window or in a vanity

Top or Front Button Mounting

Sheeting Requirements (Prior to tiling):
Standard Buttons - 18mm non flex board
Flush Mount Buttons - 25mm non flex board

Note: Square Metal Buttons require 30mm
overall thickness including sheeting & tiling

Water Inlet top left side



Proudly imported and distributed by
Gro Agencies Pty Ltd
Unit 2 / 37 Howe St, Osborne Park, WA, 6017
P 08 9446 3288 E info@groagencies.com.au W www.groagencies.com.au

gro
agencies