

AXOR ShowerSolutions
Overhead shower 460/300 1jet with ceiling connection
 Surfaces: **Chrome** Article Number: **35277007**



Description

product features

- shower head size: 460 x 270 mm
- spray type: Rain
- maximum flow rate at 0.3 MPa: 9 l/min
- flow rate Rain spray (at 0.3 MPa): 9 l/min
- fully chrome-plated spray disc
- material spray disc: metal
- spray disc removable for cleaning
- overhead shower for cleaning removable
- brass ceiling connector
- ceiling connection length: 100 mm
- installation: ceiling
- connection thread G ½
- connection dimension: DN15
- Watermark WMKT 25486

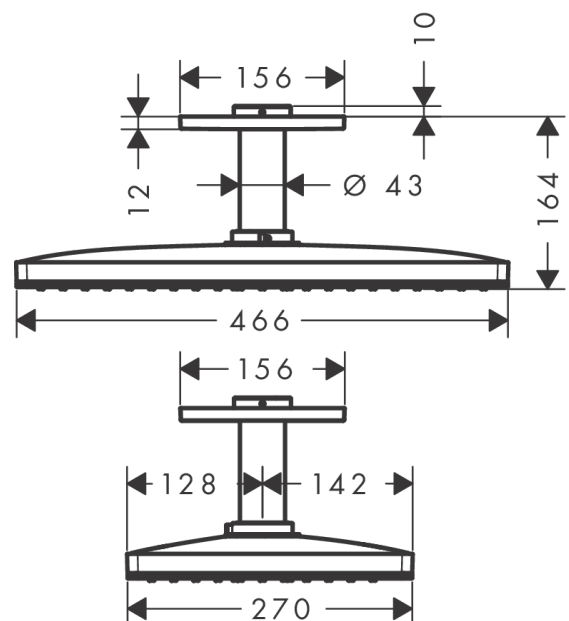
Technology



Product image



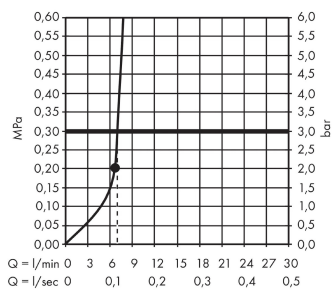
Scale drawing



AXOR ShowerSolutions
Overhead shower 460/300 1jet with ceiling connection
Surfaces: **Chrome** Article Number: **35277007**



Flowchart



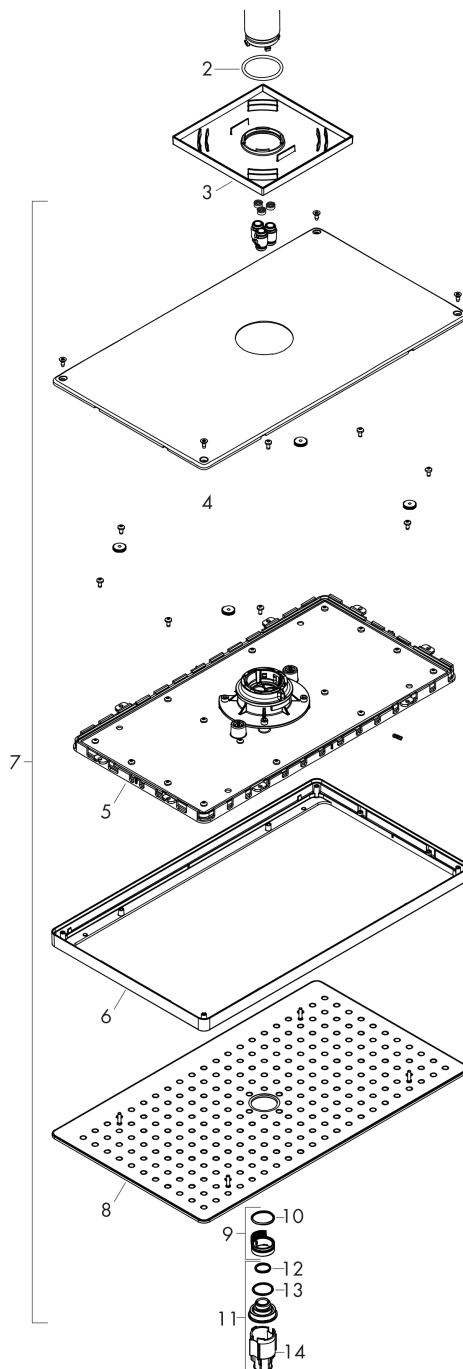
The consumption was measured in combination with the appropriate fittings (thermostat/mixer/
in-wall valve) to reflect actual application in practice.

AXOR ShowerSolutions
Overhead shower 460/300 1jet with ceiling connection
Surfaces: **Chrome** Article Number: **35277007**



Exploded Drawing

Year of production: >10/17



AXOR ShowerSolutions
Overhead shower 460/300 1jet with ceiling connection
 Surfaces: **Chrome** Article Number: **35277007**



Spare part list

Year of production: >10/17

Pos.	Description	Article Number	PC	PU
1	sleeve	92709000	0	1
2	O-ring 42x3,5	92708000	0	1
3	escutcheon 155 / 155 mm	92710000	0	1
4	head shower	93205000	0	1
5	cover	93392000	0	1
6	cartridge, assy	93388000	0	1
7	frame	93390000	0	1
8	spray body	93206000	0	1
9	filter	92683000	0	1
10	O-ring 24x2	98388000	0	1
11	spray insert	93207000	0	1
12	O-ring 15x2	98163000	0	1
13	O-ring 21x2	98205000	0	1
14	special tool	92686000	0	1
a	base body	26434180	0	1