

AXOR ShowerSolutions

Overhead shower 460/300 1jet with shower arm and square escutcheon

Surfaces: **Chrome** Article Number: **35278007**



Description

product features

- consists of: overhead shower, shower arm
- spray type: Rain
- shower head size: 460 x 270 mm
- shower arm length: 460 mm
- maximum flow rate at 3 bar: 9 l/min
- flow rate Rain spray (at 3 bar): 9 l/min
- material spray disc: metal
- spray disc removable for cleaning
- overhead shower removable for cleaning
- installation: wall
- connection thread G ½
- connection dimension: DN15

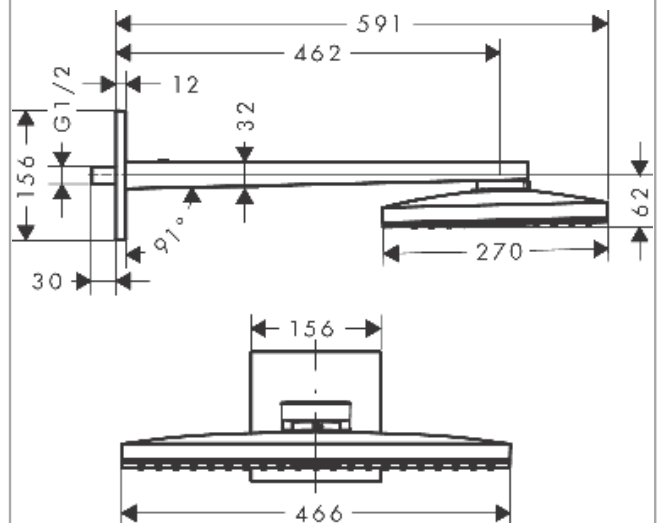
Technology



Product image



Scale drawing



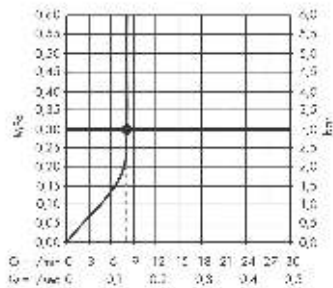
AXOR ShowerSolutions

Overhead shower 460/300 1jet with shower arm and square escutcheon

Surfaces: **Chrome** Article Number: **35278007**



Flowchart



Q = /l·min-1
 P = /bar

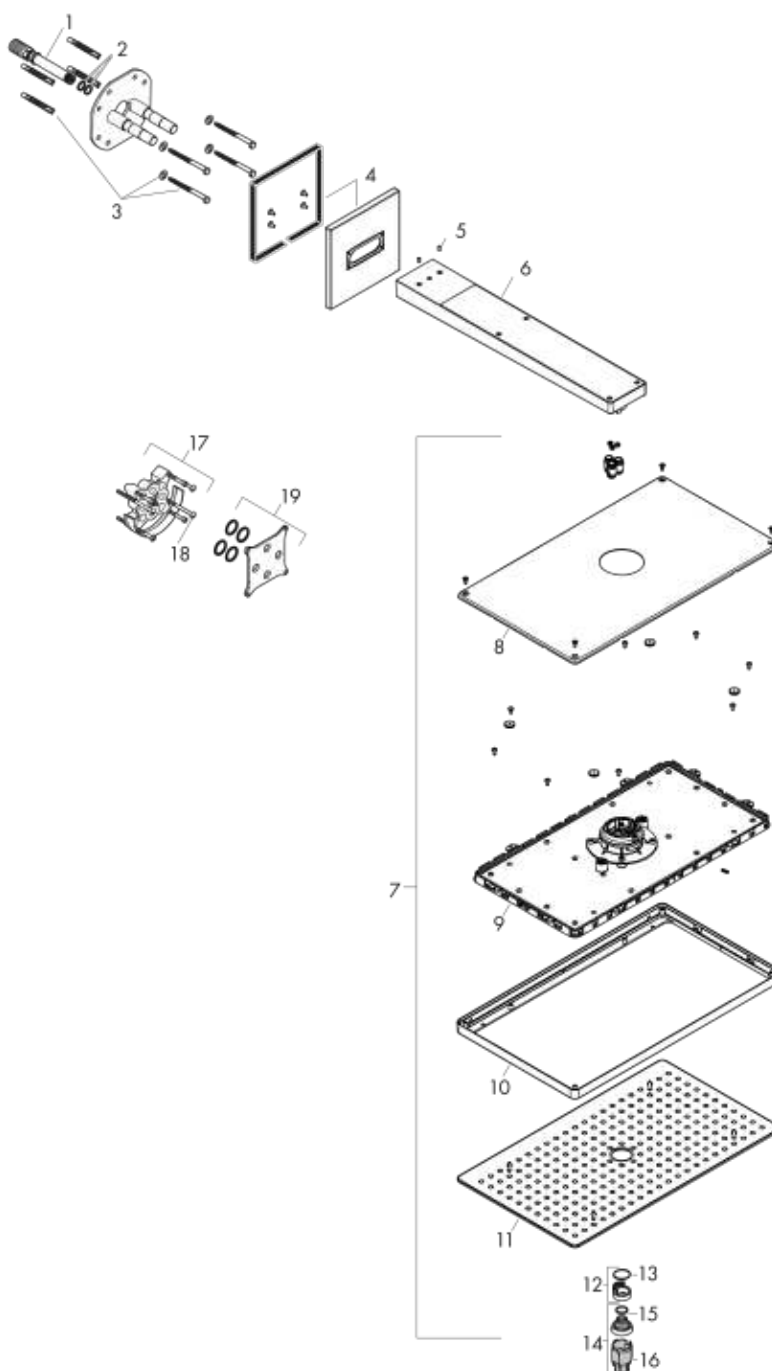
The flow curves are measured in combination with the separate 1-jet shower head in a well suited to reflect actual application in practice

AXOR ShowerSolutions
Overhead shower 460/300 1jet with shower arm and square escutcheon
Surfaces: **Chrome** Article Number: **35278007**



Exploded Drawing

Year of production: >10/17



AXOR ShowerSolutions

Overhead shower 460/300 1jet with shower arm and square escutcheon

Surfaces: **Chrome** Article Number: **35278007**



Spare part list

Year of production: >10/17

Pos.	Description	Article Number	PC	PU
1	connecting thread G½	92699000	0	1
2	O-ring 12x2	98214000	0	1
3	mounting set	98716000	0	1
4	escutcheon 155 / 155 mm	92700000	0	1
5	hollow set screw M5x8	92851000	0	1
6	shower arm	92701000	0	1
7	head shower	93205000	0	1
8	cover	93392000	0	1
9	cartridge, assy	93388000	0	1
10	frame	93390000	0	1
11	spray body	93206000	0	1
12	filter	92683000	0	1
13	O-ring 24x2	98388000	0	1
14	spray insert	93207000	0	1
15	O-ring 15x2	98163000	0	1
16	special tool	92686000	0	1
17	extension 25 mm	13595000	0	1
18	set of fixing screws	97747000	0	1
19	compensation set 1°	95521000	0	1