

## AXOR ShowerSolutions

### Overhead shower 460/300 3jet with shower arm and square escutcheon

Surfaces: **Chrome** Article Number: **35282000**



#### product features

- consists of: overhead shower, shower arm
- shower head size: 460 x 300 mm
- spray type: Rain, RainStream, Mono
- shower arm length 460 mm
- maximum flow rate at 3 bar: 18 l/min
- flow rate Rain spray (at 3 bar): 18 l/min
- flow rate RainStream spray (at 3 bar): 15 l/min
- flow rate Mono spray (at 3 bar): 18 l/min
- material spray disc: metal
- spray disc removable for cleaning
- overhead shower removable for cleaning
- installation: wall-mounted - for installation on iBox
- connection dimension: DN15

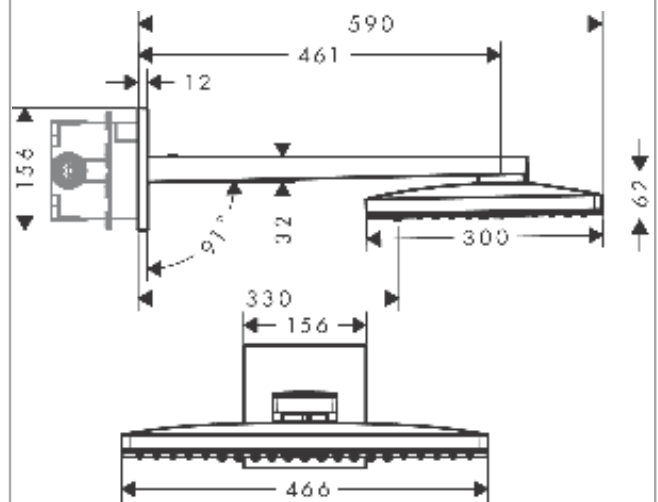
#### Technology



#### Product image



#### Scale drawing



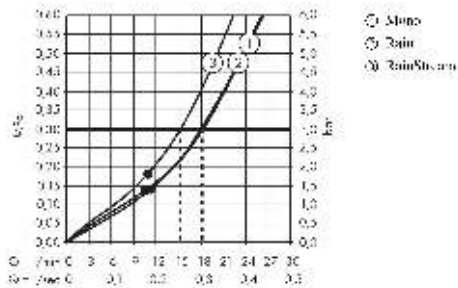
## AXOR ShowerSolutions

Overhead shower 460/300 3jet with shower arm and square escutcheon

Surfaces: **Chrome** Article Number: **35282000**



### Flowchart



The flow curves were measured in combination with the pressure of 1 bar, other results shown in well water to reflect actual application in practice.

**AXOR ShowerSolutions**  
**Overhead shower 460/300 3jet with shower arm and square escutcheon**  
 Surfaces: **Chrome** Article Number: **35282000**



## Installation examples

**AXOR 460/300 3jet**  
 35282000

01700180  
 DN 20  
 DN 20  
 40672000  
 10751000  
 10651000  
 DN 20  
 DN 20  
 DN 20

Q [l/sec] 0 0.1 0.2 0.3 0.4 0.5 0.6 0.7  
 MPa 0.50 0.45 0.40 0.35 0.30 0.25 0.20 0.15 0.10 0.05 0.00  
 Q [l/min.] 0 3 6 9 12 15 18 21 24 27 30 33 36 39 42 45  
 bar 5 4.5 4 3.5 3 2.5 2 1.5 1 0.5 0

2 Rain 3 RainStream 4 Mono

2150  
 1530  
 60  
 370  
 970

## AXOR ShowerSolutions

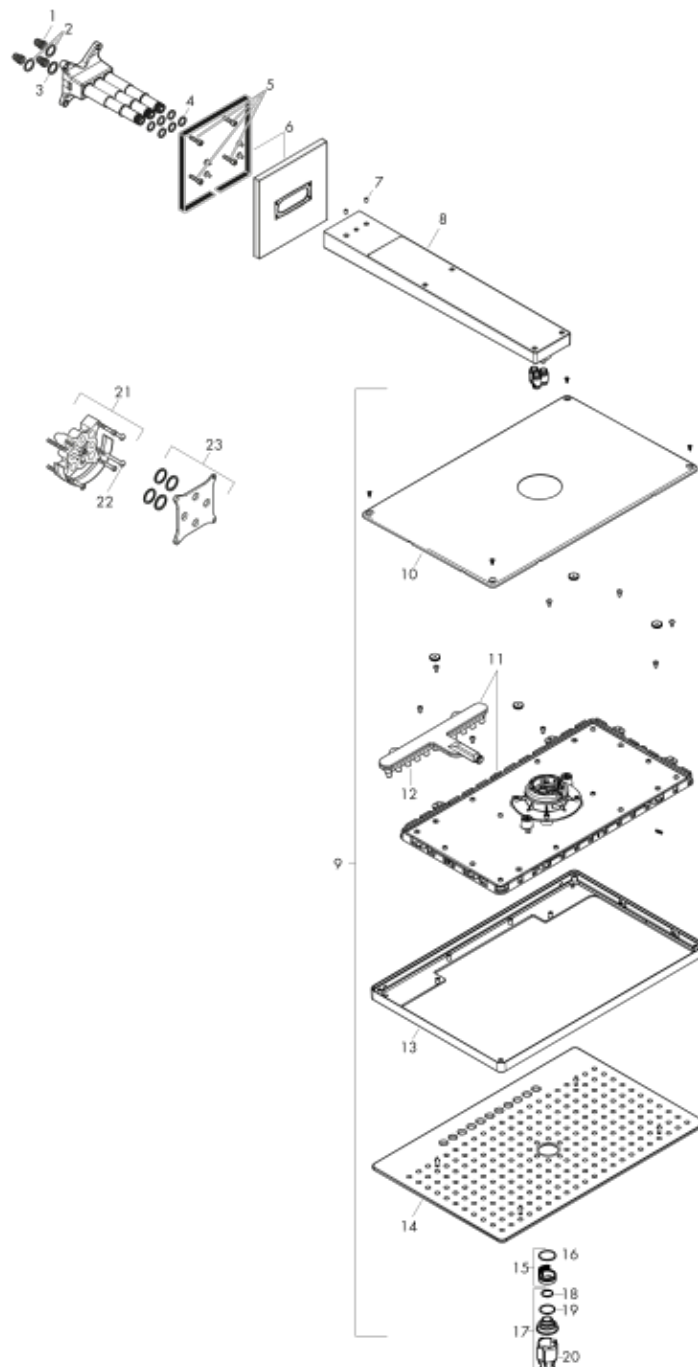
Overhead shower 460/300 3jet with shower arm and square escutcheon

Surfaces: **Chrome** Article Number: **35282000**



### Exploded Drawing

Year of production: >07/17



## AXOR ShowerSolutions

Overhead shower 460/300 3jet with shower arm and square escutcheon

Surfaces: **Chrome** Article Number: **35282000**



### Spare part list

Year of production: >07/17

Pos.		Article Number	Price	PU
1	filter	98513000	-	1
2	O-ring 16x2	98133000	-	1
3	O-ring 18x2	98181000	-	1
4	O-ring 12x2	98214000	-	1
5	set of screws	96525000	-	1
6	escutcheon 155 / 155 mm	92700000	-	1
7	hollow set screw M5x8	92851000	-	1
8	shower arm	92701000	-	1
9	head shower	93209000	-	1
10	cover	93393000	-	1
11	cartridge, assy	93389000	-	1
12	spray insert	92923000	-	1
13	frame	93391000	-	1
14	spray body	93210000	-	1
15	filter	92683000	-	1
16	O-ring 24x2	98388000	-	1
17	aerator laminar	93211000	-	1
18	O-ring 15x2	98163000	-	1
19	O-ring 21x2	98205000	-	1
20	special tool	92686000	-	1
21	extension 25 mm	13595000	-	1
22	set of fixing screws	97747000	-	1
23	compensation set 1°	95521000	-	1
a	concealed item	01800180	-	1