

AXOR Citterio E
Shower set 0.90 m with hand shower 120 3jet
 Surfaces: **Chrome** Article Number: **36735000**



Description

product features

- consists of: hand shower, shower bar, shower hose, slider
- spray type: Rain, RainAir, Whirl
- convenient diversion via Select button
- shower head size: 120 mm
- pivot connectors prevent hose from tangling
- maximum flow rate at 0.3 MPa: 15 l/min
- bar width: 30 mm
- material: solid brass
- chrome-plated wall supports of metal

Technology



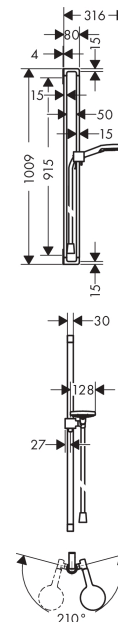
Design awards



Product image



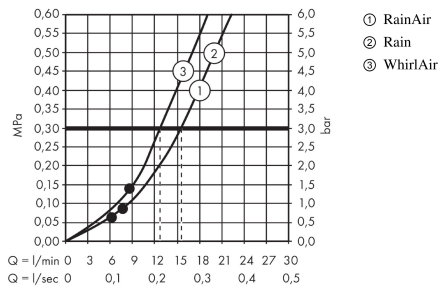
Scale drawing



AXOR Citterio E
Shower set 0.90 m with hand shower 120 3jet
 Surfaces: **Chrome** Article Number: **36735000**



Flowchart

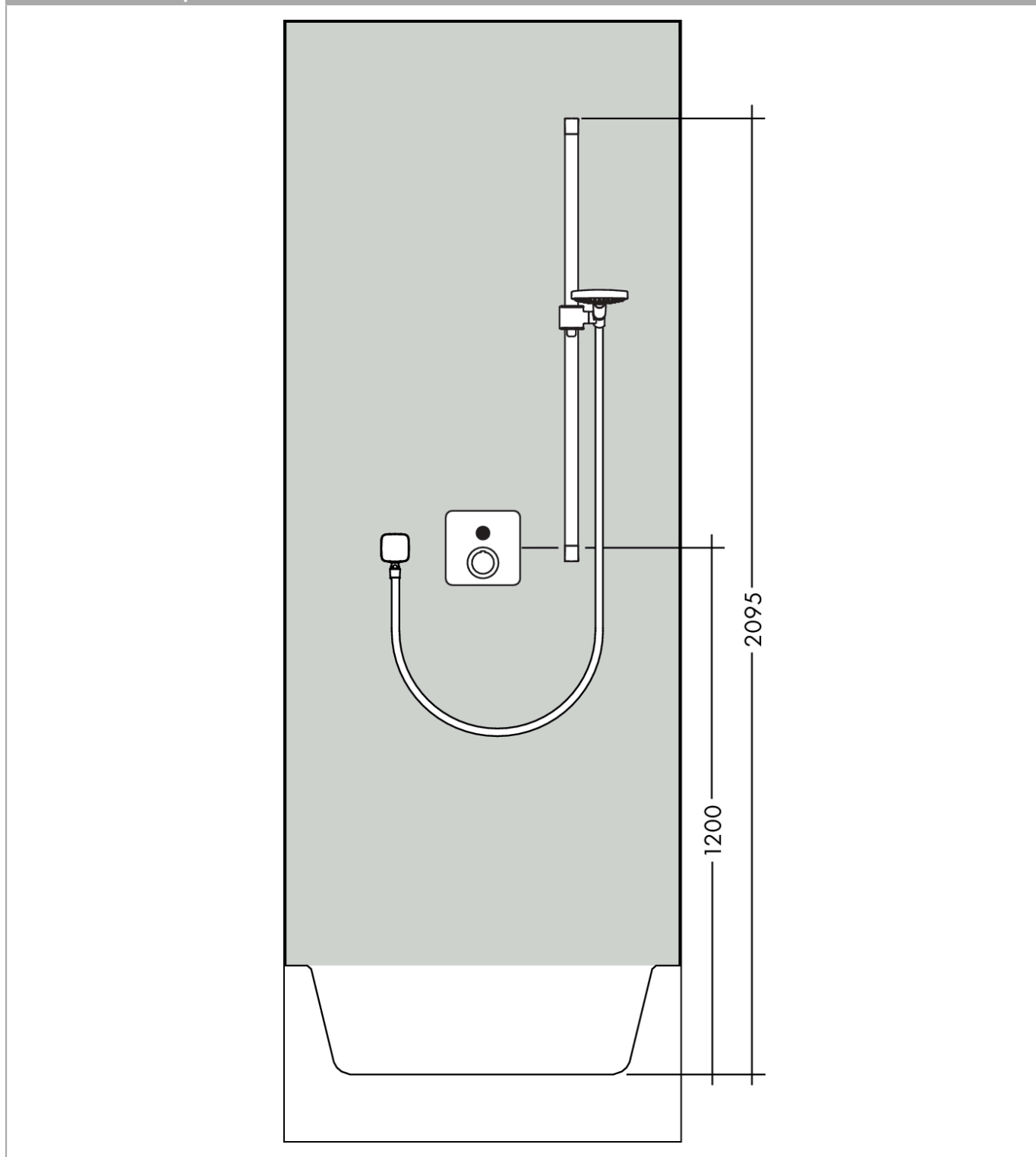


The consumption was measured in combination with the appropriate fittings (thermostat/mixer/in-wall valve) to reflect actual application in practice.

AXOR Citterio E
Shower set 0.90 m with hand shower 120 3jet
Surfaces: **Chrome** Article Number: **36735000**



Installation examples

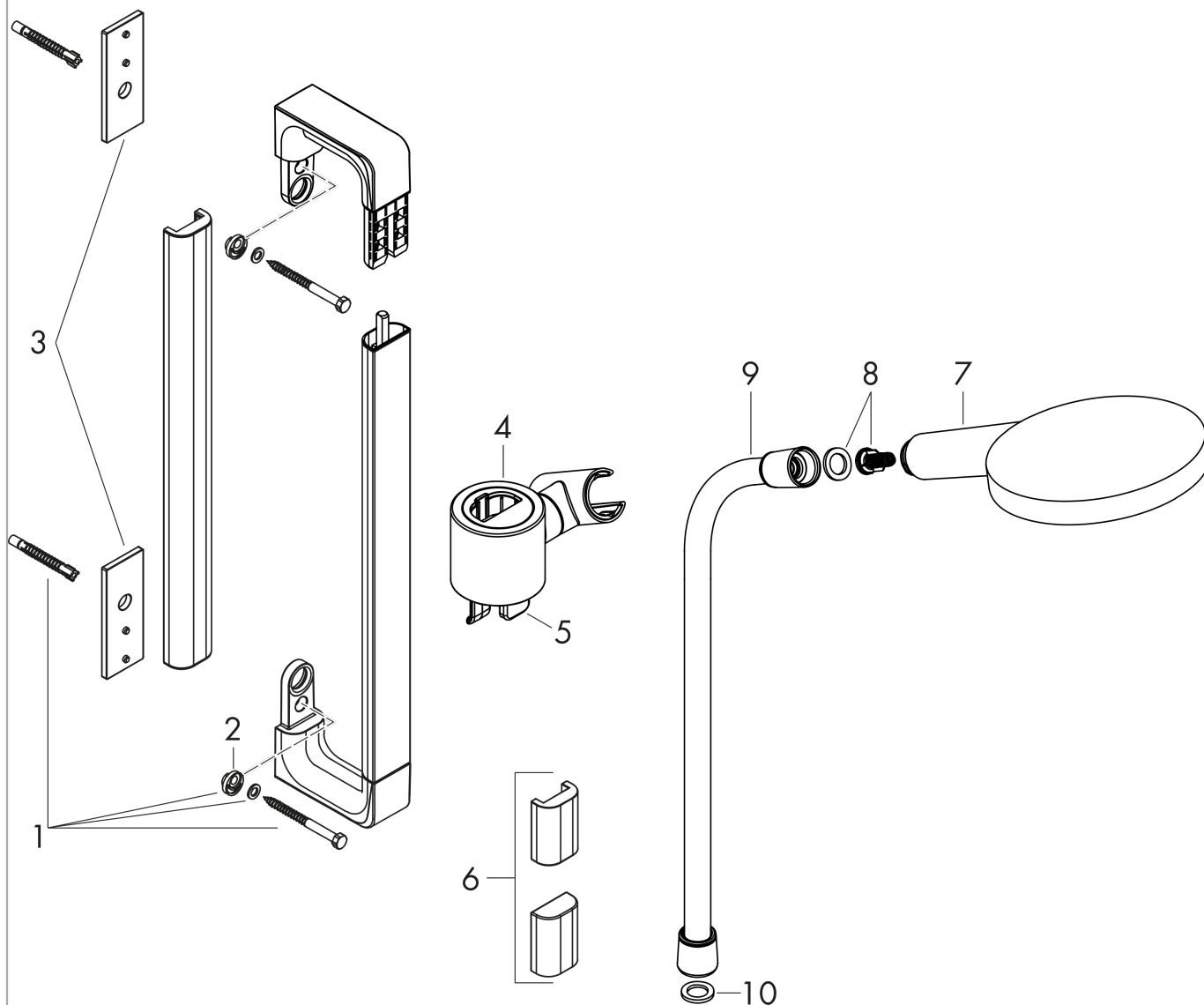


AXOR Citterio E
Shower set 0.90 m with hand shower 120 3jet
Surfaces: **Chrome** Article Number: **36735000**



Exploded Drawing

Year of production: >01/17



AXOR Citterio E
Shower set 0.90 m with hand shower 120 3jet
 Surfaces: **Chrome** Article Number: **36735000**



Spare part list

Year of production: >01/17

| Pos. | Description | Article Number | PC | PU |
|------|------------------------------|----------------|----|----|
| 1 | mounting set | 92841000 | 0 | 1 |
| 2 | excentric socket | 97604000 | 0 | 1 |
| 3 | tile-matching-disk | 92406000 | 0 | 1 |
| 4 | support, assy | 92726000 | 0 | 1 |
| 5 | brake block | 93442000 | 0 | 1 |
| 6 | set of covers | 42871000 | 0 | 1 |
| 7 | handshower | 26050000 | 0 | 1 |
| 8 | filter insert | 97708000 | 0 | 1 |
| 9 | shower hose Isiflex'B 1,60 m | 28276000 | 0 | 1 |
| 10 | seal | 98058000 | 0 | 1 |