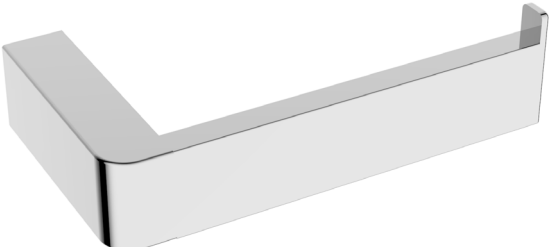
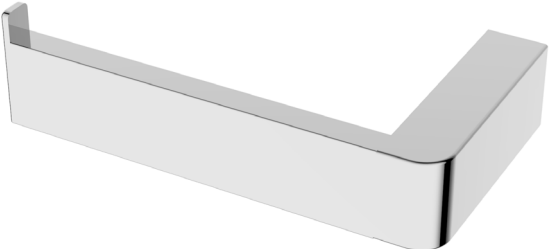
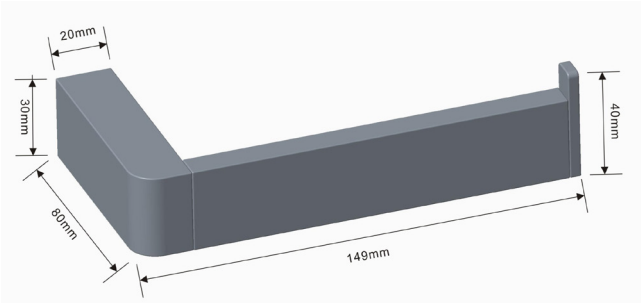




MONDRIAN NEU TOILET ROLL HOLDER

Product Image	Technical Specification
 <p>RIGHT HAND FACED</p>  <p>LEFT HAND FACED</p>	

Description
<p>Mondrian Neu Toilet Roll Holder</p> <p>RIGHT HAND FACED</p> <p>AR93686R Chrome</p> <p>AR93686RMB Matte Black</p> <p>AR93686RBN Brushed Nickel</p> <p>LEFT HAND FACED</p> <p>AR93686L Chrome</p> <p>AR93686LMB Matte Black</p> <p>AR93686LBN Brushed Nickel</p>

Additional Information
<ul style="list-style-type: none"> • 5 year warranty • Dual Fixing

