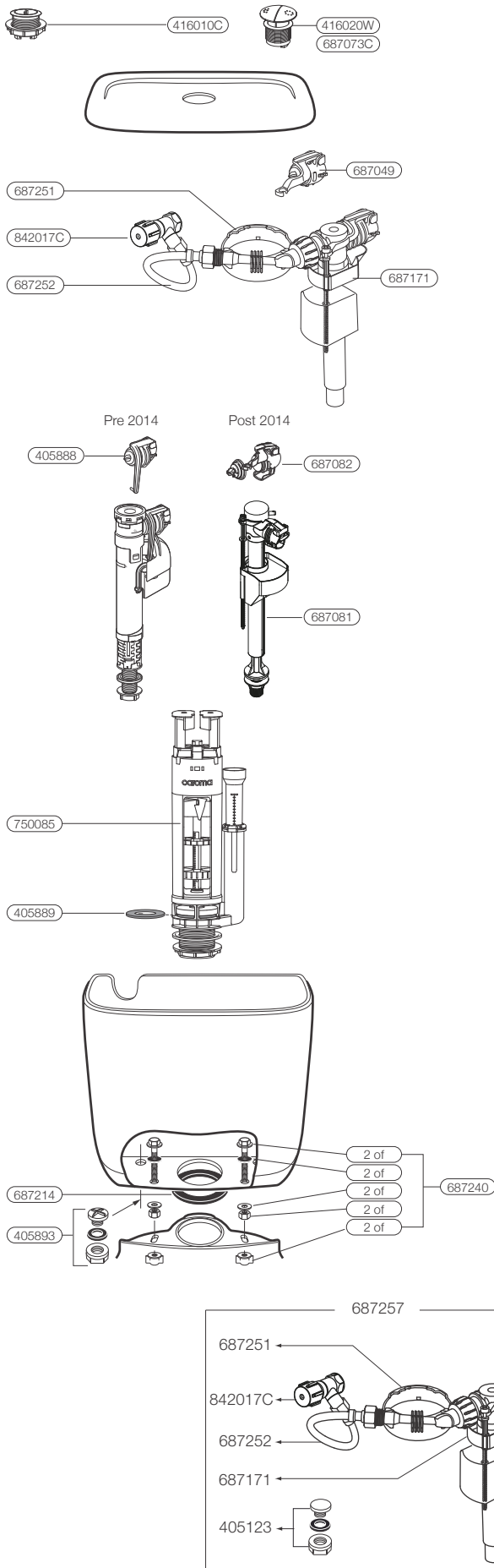




IMAGE FEATURED:
Caroma Vogue
Invisi Series II* Cistern with Pan

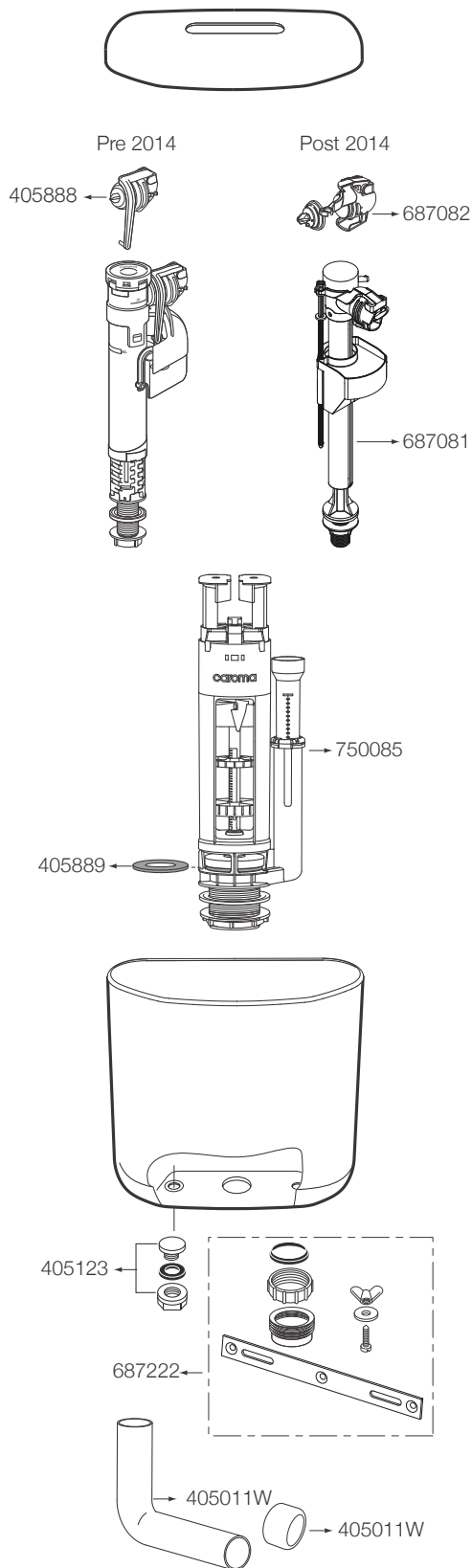


CARAVELLE CISTERN SPARES



CODE	CISTERN LOCATION INSTALL CHOICE	C. QTY
405123	Stop Plug/Washer/Nut Kit	20
416010C	Round Operating Button	270
416020W	Round Care Buttons - White	1
687073C	Round Care Buttons - Chrome	1
405893	13mm Foam Connection Seal	1
687240	Cistern Fixing Kit - CC Cistern	1
M5 QUIETFLOW OUTLET VALVE VERSION		
842017C	Mini Cistern Stop	1
405888	Quietflow 2 - Bottom Inlet - Repair Kit	400
687049	UniFill Back Entry Inlet Valve - Repair Kit	1
687081	Apollo Bottom Inlet Valve	40
687082	Apollo Inlet Valve Repair Kit (Post 2014)	400
687171	UniFill Back Entry Inlet Valve	1
687251	UniFill Back Entry Inlet Valve - Bracket	1
687252	UniFill Back Entry Inlet Valve - Flexible Hose	1
687257	M5 BE Conversion Kit	24
405889	M5 Quietflow Outlet Valve Repair Kit (10pk)	100
750085	M5 Quietflow Outlet Valve	14
HI-FLO VERSION		
842017C	Mini Cistern Stop	1
415297	Hi-Flo Outlet Valve	1
405888	Quietflow 2 - Bottom Inlet - Repair Kit	400
687042	Quietflow 2 - Bottom Inlet Valve	26
DUO-FLO VERSION		
218005	Quietflow Inlet Valve Seal Kit	40
842017C	Mini Cistern Stop	1
405006	Outlet Valve Rubber Seal	300
405162	Button Adjusters Long Pair	10
412003	Outlet Valve - Interflow Tube & Seal	1
405888	Quietflow 2 - Bottom Inlet - Repair Kit	400
687042	Quietflow 2 - Bottom Inlet Valve	26

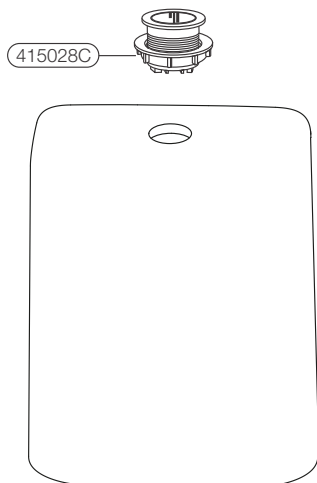
*Note: Caravelle 2000/Reflections cistern shown



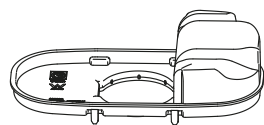
*Note: cistern name shown

CODE	CISTERN LOCATION INSTALL CHOICE	C. QTY
405011W	Low Level Flushpipe	25
405123	Stop Plug/Washer/Nut Kit	20
M5 QUIETFLOW OUTLET VALVE VERSION		
405888	Quietflow 2 - Bottom Inlet - Repair Kit	400
687081	Apollo Bottom Inlet Valve	40
687082	Apollo Inlet Valve Repair Kit (Post 2014)	400
405889	M5 Quietflow Outlet Valve Repair Kit (10pk)	100
750085	M5 Quietflow Outlet Valve	14
DUO-FLO OUTLET VALVE VERSION		
218005	Quietflow Inlet Valve Seal Kit	40
405006	Outlet Valve Rubber Seal	300
405165	Button Adjusters Short - Pair - 2000 Series	10
412003	Outlet Valve - Interflow Tube & Seal	12
414278	Button Extension Platform (single)	1
405888	Quietflow 2 - Bottom Inlet - Repair Kit	400
687081	Apollo Bottom Inlet Valve	40
687082	Apollo Inlet Valve Repair Kit (Post 2014)	400

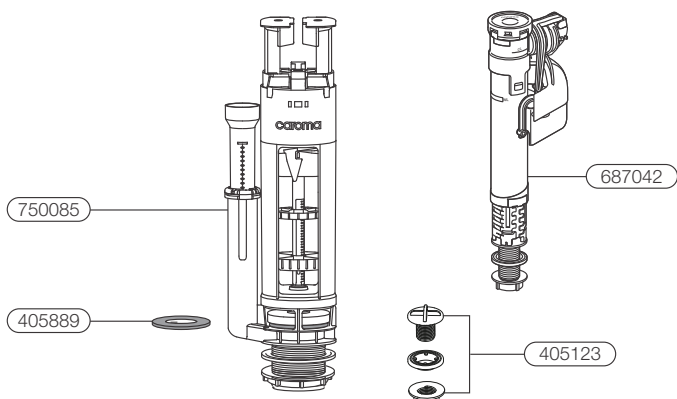
CONTURA CISTERN SPARES



415028C



750109

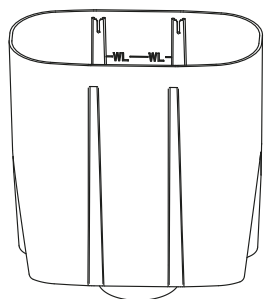


750085

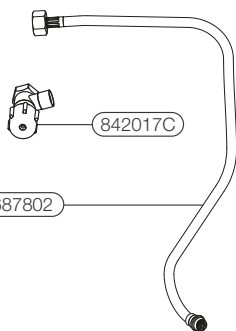
405889

687042

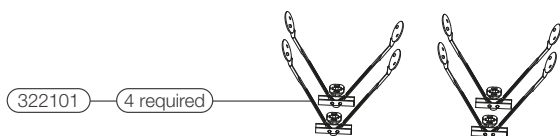
405123



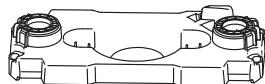
687802



842017C



322101 4 required



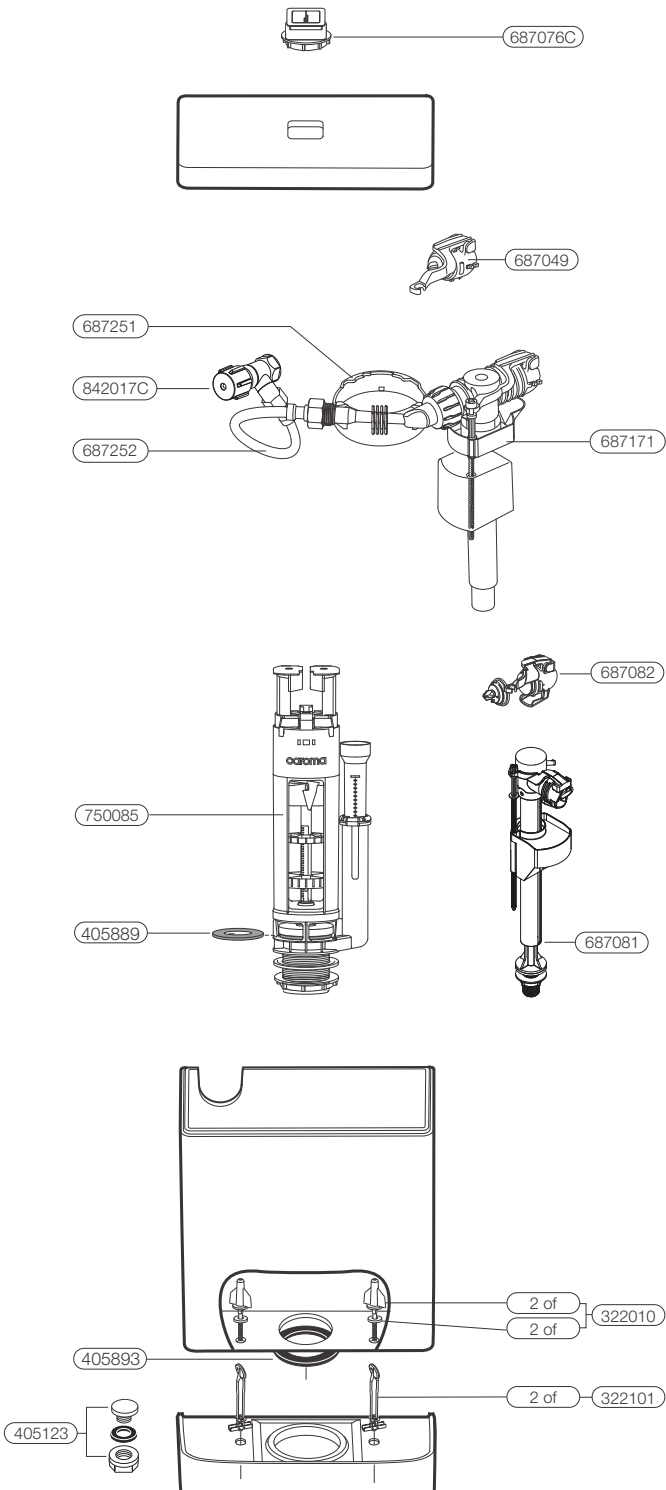
405893



CODE	CISTERN LOCATION INSTALL CHOICE	C. QTY
415028C	Round Operating Button & Bezel	1
750109	M5 Vandal Resistance Bracket	10
842017C	Mini Cistern Stop	1
687802	Braided Hose Assembly	4
687042	Quietflow 2 - Bottom Inlet Valve	26
750085	M5 Quietflow Outlet Valve	14
405123	Stop Plug/Washer/Nut Kit	1
405889	M5 Quietflow Outlet Valve Repair Kit (10pk)	100
322101	Toggle Bolts - CC Blind Fixing	1
405893	13mm Foam Connection Seal	1

*Note: Contura shrouded cistern shown

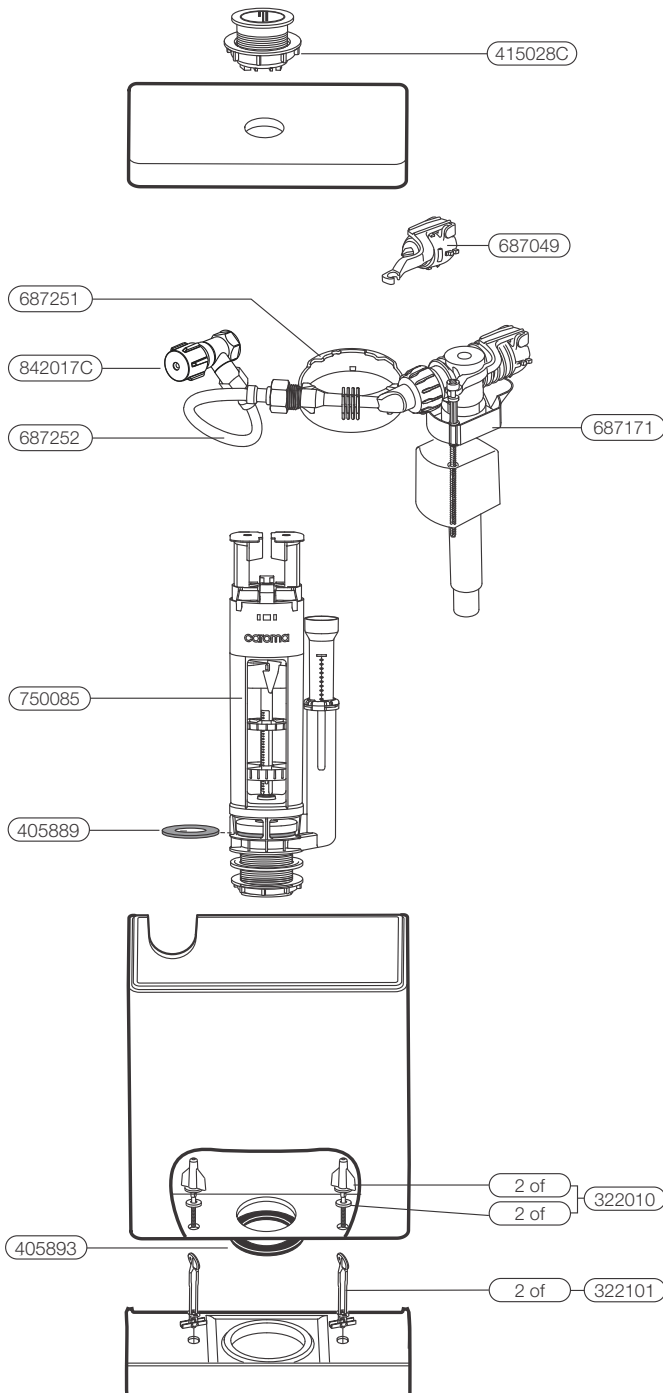
CUBE CISTERN SPARES



CODE	CISTERN LOCATION INSTALL CHOICE	C. QTY
322010	Cistern Fixing Kit - CC Blind Fixing	1
322101	Toggle Bolts - CC Blind Fixing	1
687076C	Cube Operating Button & Fixing Nut	1
405893	13mm Foam Connection Seal	1
M5 QUIETFLOW OUTLET VALVE VERSION		
842017C	Mini Cistern Stop	1
687049	UniFill Back Entry Inlet Valve - Repair Kit	1
687171	UniFill Back Entry Inlet Valve	1
687251	UniFill Back Entry Inlet Valve - Bracket	1
687252	UniFill Back Entry Inlet Valve - Flexible Hose	1
405889	M5 Quietflow Outlet Valve Repair Kit (10pk)	100
750085	M5 Quietflow Outlet Valve	14

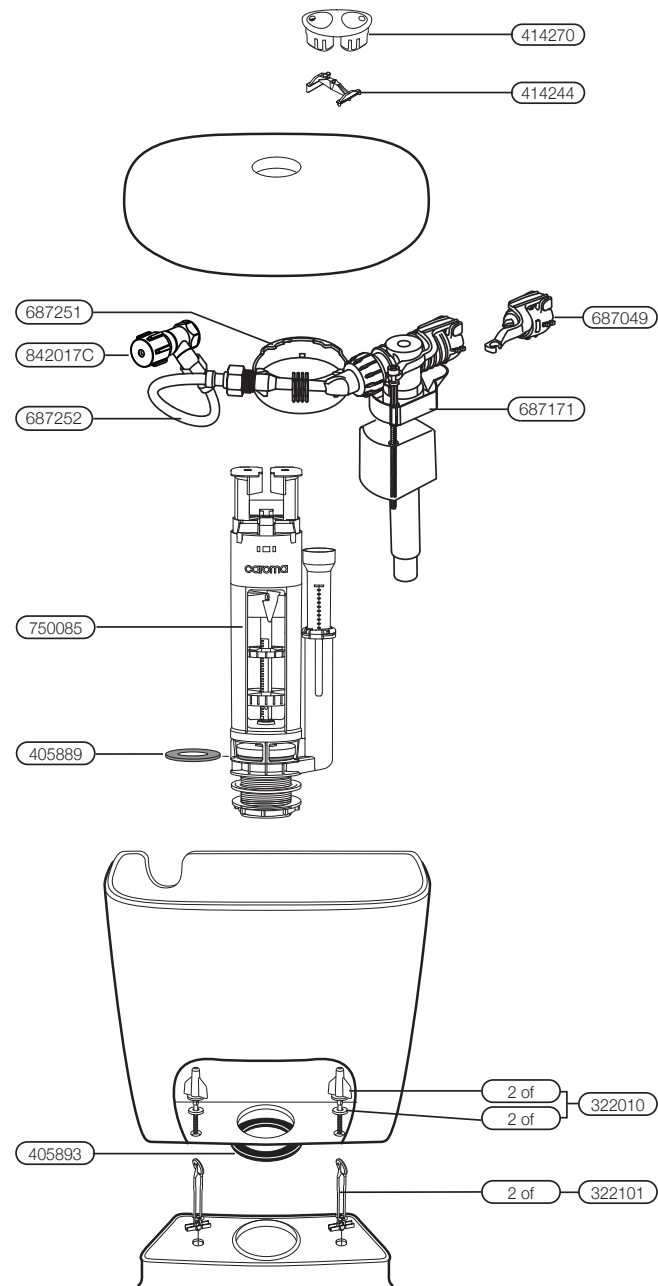
*Note: Cube cistern shown

GEO/CARE 800 CISTERN SPARES



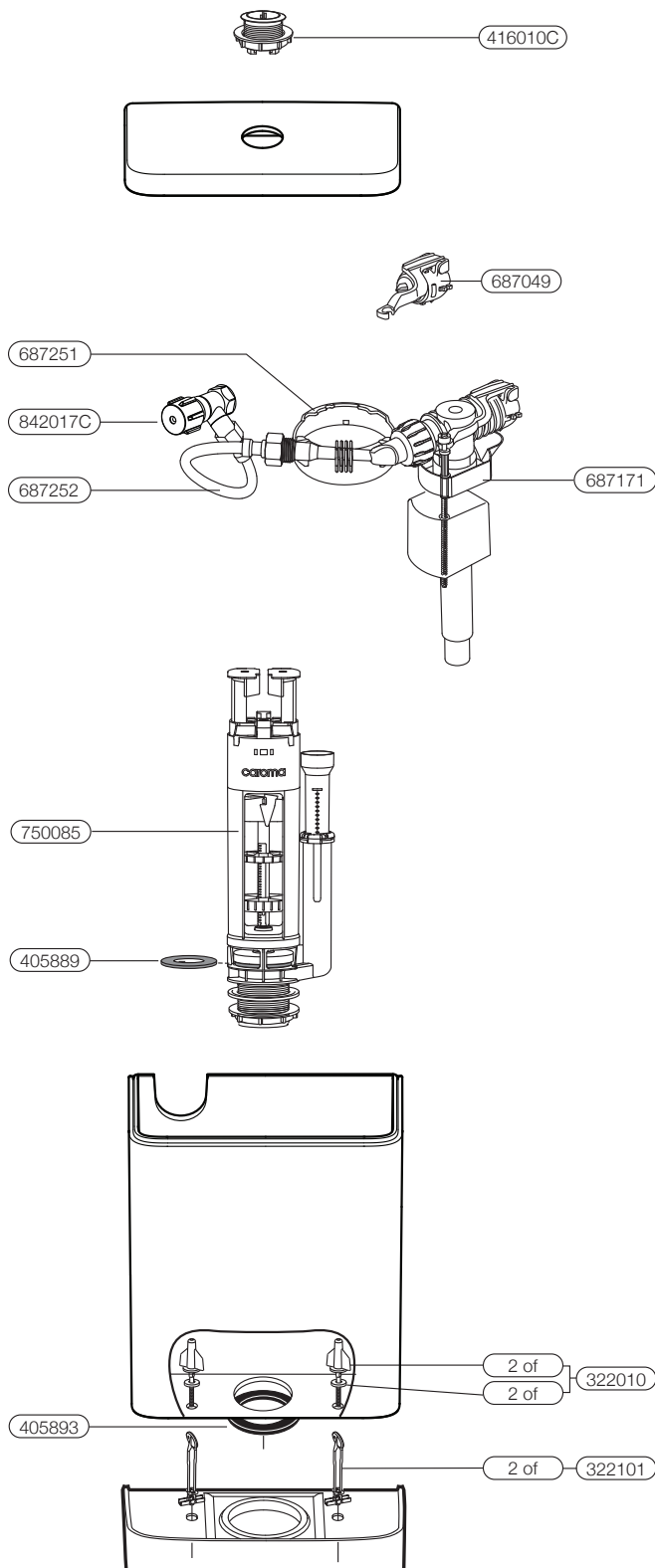
CODE	CISTERN LOCATION INSTALL CHOICE	C. QTY
842017C	Mini Cistern Stop	1
322010	Cistern Fixing Kit - CC Blind fixing	1
322101	Toggle Bolts - CC Blind Fixing	1
415028C	Round Operating Button & Bezel	1
405893	13mm Foam Connection Seal	1
M5 QUIETFLOW OUTLET VALVE VERSION		
842017C	Mini Cistern Stop	1
687049	Inlet Valve - Repair Kit	1
687171	UniFill Back Entry Inlet Valve	1
687251	UniFill Back Entry Inlet Valve - Bracket	1
687252	UniFill Back Entry Inlet Valve - Flexible Hose	1
405889	M5 Quietflow Outlet Valve Repair Kit (10pk)	100
750085	M5 Quietflow Outlet Valve	14
DUO-FLO VERSION		
218005	Quietflow Inlet Valve Seal Kit	40
842017C	Mini Cistern Stop	1
405006	Outlet Valve Rubber Seal	300
405162	Button Adjusters Long	10
412003	Outlet Valve - Interflow Tube & Seal	12
414278	Button Extension Platform (single)	1

LEDA & LEDA SMARTFLUSH CISTERN SPARES



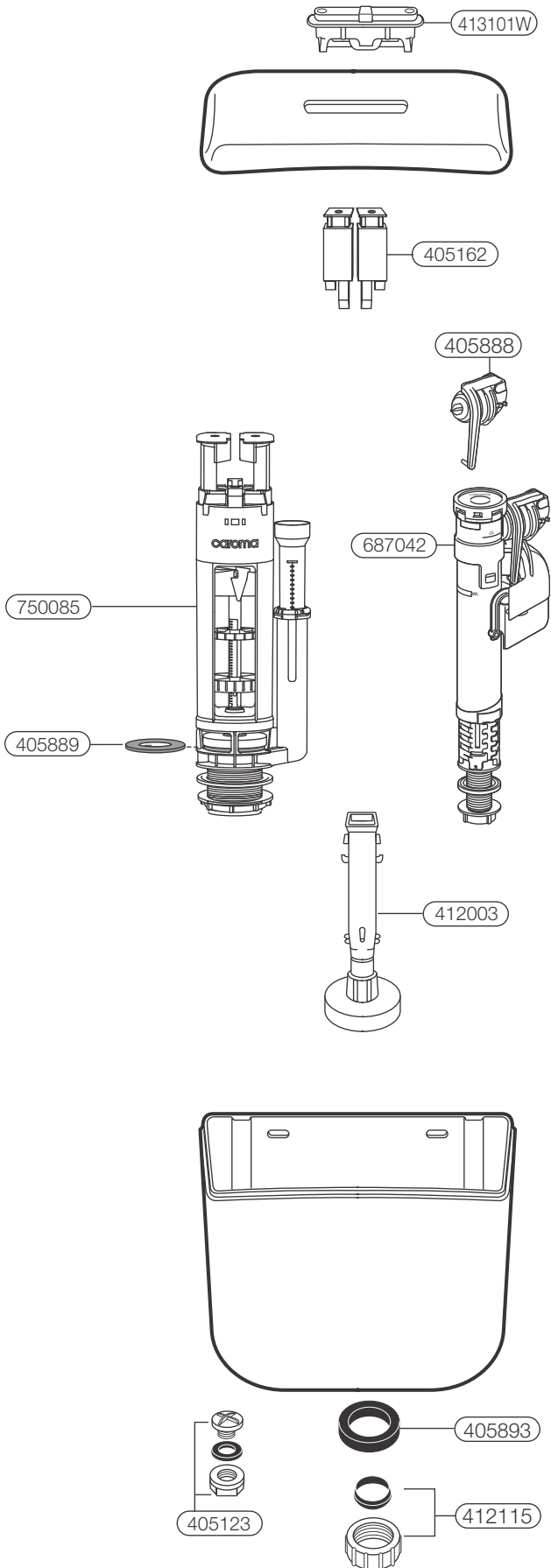
CODE	CISTERN LOCATION INSTALL CHOICE	C. QTY
322010	Cistern Fixing Kit - CC Blind Fixing	1
322101	Toggle Bolts - CC Blind Fixing	1
414244	Leda Button Clamp	1
414270W	Leda Operating Button (Pre 2012)	12
405893	13mm Foam Connection Seal	1
M5 QUIETFLOW OUTLET VALVE VERSION		
842017C	Mini Cistern Stop	1
687049	UniFill Back Entry Inlet Valve - Repair Kit	1
687171	UniFill Back Entry Inlet Valve	1
687251	UniFill Back Entry Inlet Valve - Bracket	1
687252	UniFill Back Entry Inlet Valve - Flexible Hose	1
405889	M5 Quietflow Outlet Valve Repair Kit (10pk)	100
750085	M5 Quietflow Outlet Valve	14
HI-FLO VERSION		
218005	Quietflow Inlet Valve Seal Kit	40
842017C	Mini Cistern Stop	1
405006	Outlet Valve Rubber Seal	300
405162	Button Adjusters Long	10
415297	Hi-Flo Outlet Valve	1
DUO-FLO VERSION		
218005	Quietflow Inlet Valve Seal Kit	40
842017C	Mini Cistern Stop	1
405006	Outlet Valve Rubber Seal	300
405162	Button Adjusters Long	10
412003	Outlet Valve - Interflow Tube & Seal	12

LIANO SMARTFLUSH CISTERN SPARES



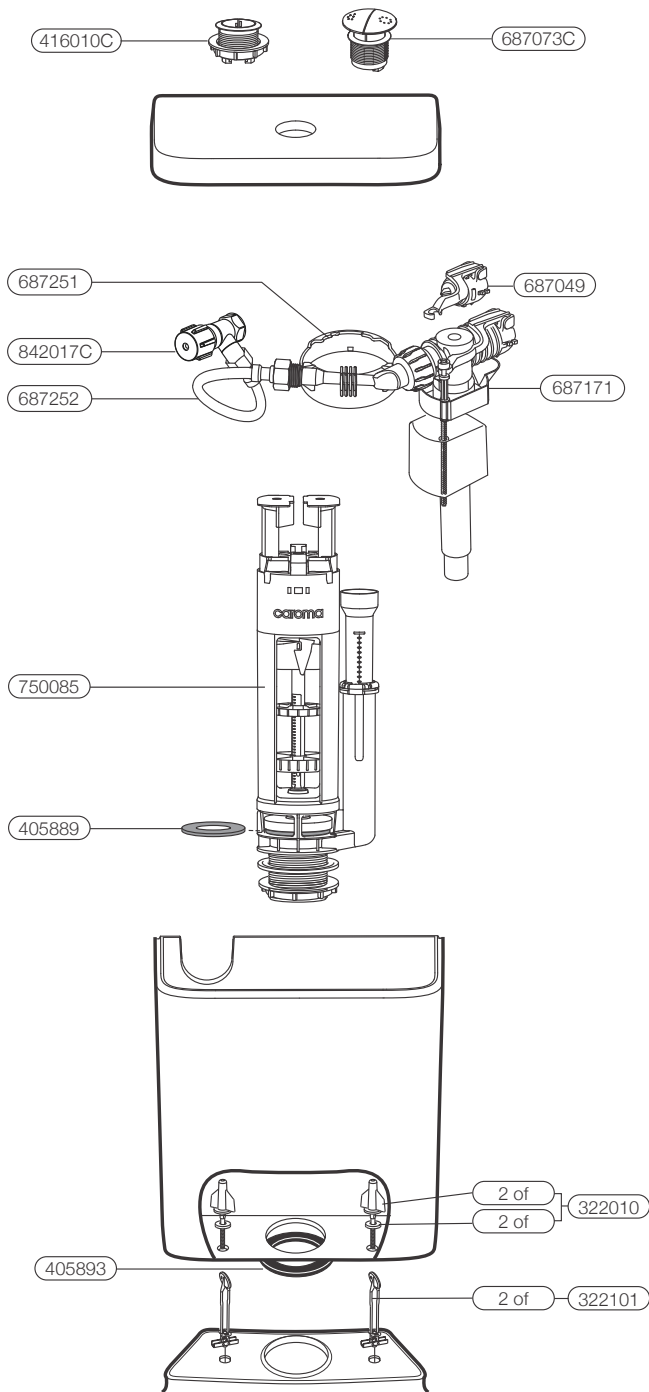
CODE	CISTERN LOCATION INSTALL CHOICE	C. QTY
416010C	Round Operating Button	270
687049	Inlet Valve - Repair Kit	1
687251	Inlet Valve (M5) - bracket	1
842017C	Mini Cistern Stop	1
687252	Inlet Valve (M5) - flexible hose	1
687171	Inlet Valve (M5)	1
750085	M5 Quietflow Outlet Valve	14
405889	M5 Quietflow Outlet Valve Repair Kit (10pk)	100
405893	13mm Foam Connection Seal	1
322010	Cistern Fixing Kit - CC Blind fixing	1
322101	Toggle Bolts - CC Blind Fixing	1

MONARCH & VICEROY CISTERN SPARES



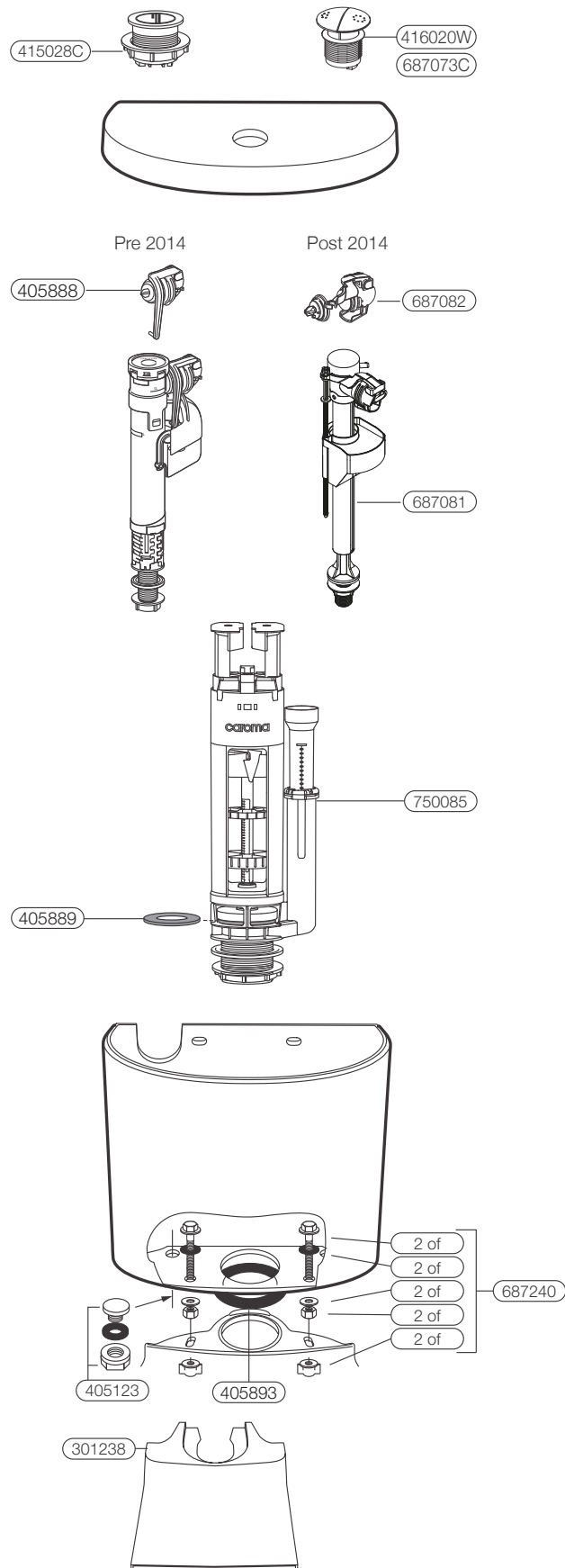
CODE	CISTERN LOCATION INSTALL CHOICE	C. QTY
412115	Nut/Rubber Kit 50mm	30
405123	Stop Plug/Washer/Nut Kit	20
412003	Outlet Valve - Duoflo Short	1
413101W	Operating Button & Bezel - White	1
405889	M5 Quietflow Outlet Valve Repair Kit (10pk)	100
405893	13mm Foam Connection Seal	1
687240	Cistern Fixing Kit - CC Cistern	1
750085	M5 Quietflow Outlet Valve	14
DUO-FLO VERSION		
405006	Outlet Valve Rubber Seal	300
405162	Button Adjusters Long	10
412003	Outlet Valve - Interflow Tube & Seal	12
405888	Quietflow 2 - Bottom Inlet - Repair Kit	400
687042	Quietflow 2 - Bottom Inlet Valve	26

OPAL CLEANFLUSH, OPAL II & OPAL 2000 CISTERN SPARES



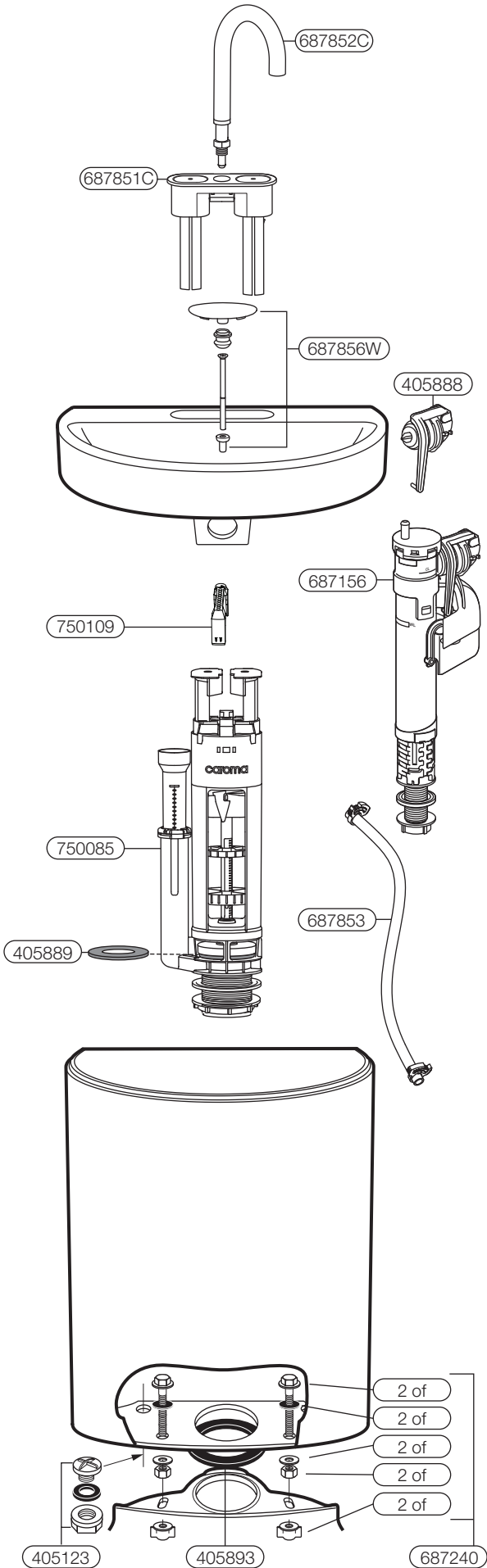
CODE	CISTERN LOCATION INSTALL CHOICE	C. QTY
322010	Cistern Fixing Kit - CC Blind Fixing	1
322101	Toggle Bolts - CC Blind Fixing	1
416010C	Round Operating Button	270
687073C	Round Care Buttons (Metal)	1
405893	13mm Foam Connection Seal	1
M5 QUIETFLOW OUTLET VALVE VERSION		
842017C	Mini Cistern Stop	1
687049	UniFill Back Entry Inlet Valve - Repair Kit	1
687171	UniFill Back Entry Inlet Valve	1
687251	UniFill Back Entry Inlet Valve - Bracket	1
687252	UniFill Back Entry Inlet Valve - Flexible Hose	1
405889	M5 Quietflow Outlet Valve Repair Kit (10pk)	100
750085	M5 Quietflow Outlet Valve	14
HI-FLO VERSION		
218005	Quietflow Inlet Valve Seal Kit	40
842017C	Mini Cistern Stop	1
405006	Outlet Valve Rubber Seal	300
405162	Button Adjusters Long - Pair - 2000 Series	10
414278	Button Extension Platform (single)	1
415297	Hi-Flo Outlet Valve	1
DUO-FLO VERSION		
218005	Quietflow Inlet Valve Seal Kit	40
842017C	Mini Cistern Stop	1
405006	Outlet Valve Rubber Seal	300
405162	Button Adjusters Long - Pair	10
412003	Outlet Valve - Interflow Tube & Seal	12

PROFILE 4 CISTERN SPARE PARTS

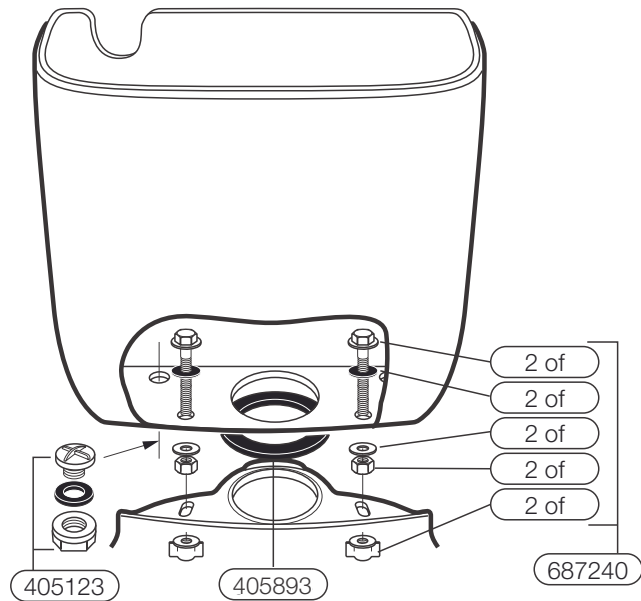
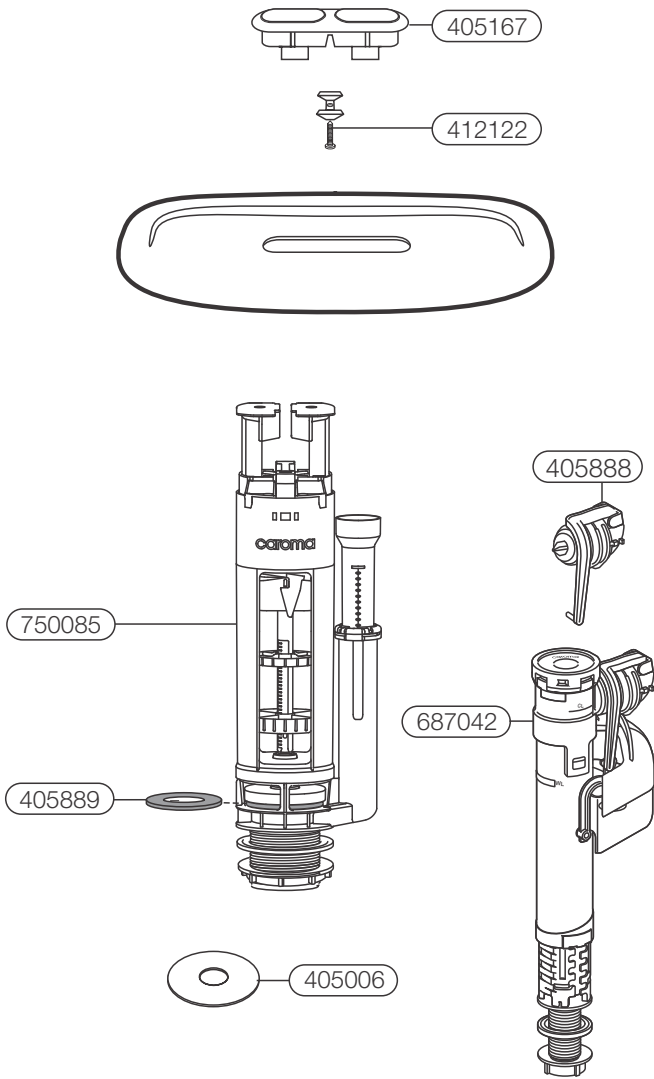


CODE	CISTERN LOCATION INSTALL CHOICE	C. QTY
301238W	Connector Plate - White	25
405123	Stop Plug/Washer/Nut Kit	20
415028C	Round Operating Button & Bezel	1
416020W	Round Care Buttons (Plastic)	1
405888	Quietflow 2 - Bottom Inlet - Repair Kit	400
687073C	Round Care Buttons (Metal)	1
687081	Apollo Bottom Inlet Valve	40
687082	Apollo Inlet Valve Repair Kit (Post 2014)	400
405893	13mm Foam Connection Seal	1
687240	Cistern Fixing Kit - CC Cistern	1
M5 QUIETFLOW OUTLET VALVE VERSION		
405888	Quietflow 2 - Bottom Inlet - Repair Kit	400
687081	Apollo Bottom Inlet Valve	40
687082	Apollo Inlet Valve Repair Kit (Post 2014)	400
405889	M5 Quietflow Outlet Valve Repair Kit (10pk)	100
750085	M5 Quietflow Outlet Valve	14

PROFILE 5 CISTERN WITH HAND BASIN SPARES

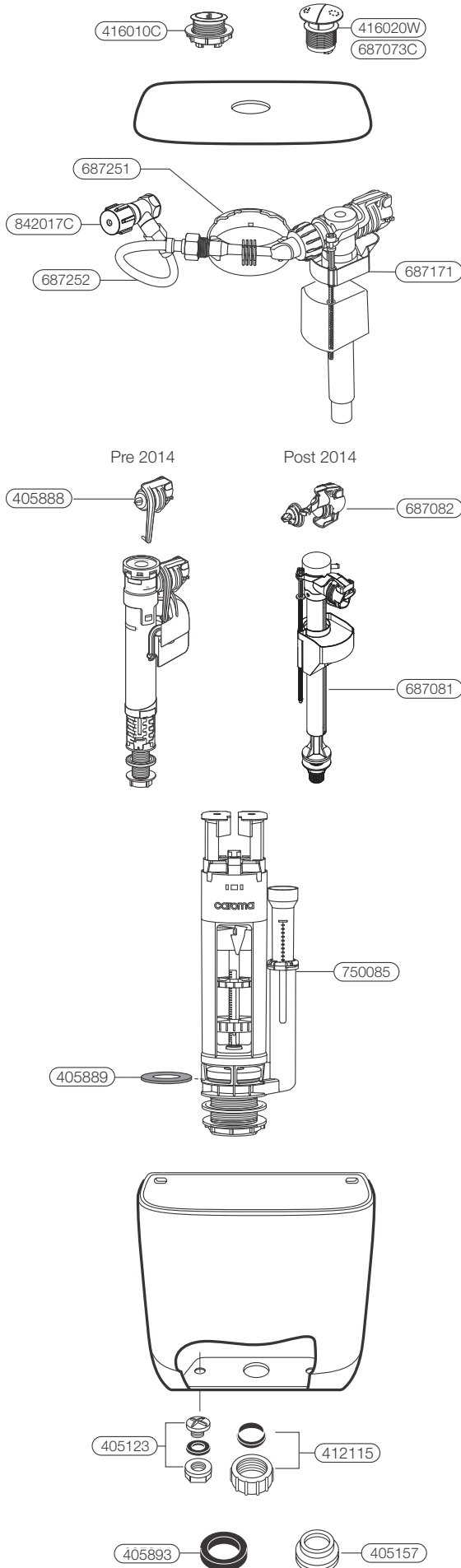


CODE	CISTERN LOCATION INSTALL CHOICE	C. QTY
405123	Stop Plug/Washer/Nut Kit	1
405893	13mm Foam Connection Seal	1
687240	Cistern Fixing Kit - CC Cistern	1
687851C	Operating Button	1
687852C	Spout Kit - Spout, Aerator & Nut	1
687853	Tube & Clamp Kit	1
687856W	Basin Outlet Cover & Fixing Kit	1
M5 QUIETFLOW OUTLET VALVE VERSION		
405888	Quietflow 2 - Bottom Inlet - Repair Kit	400
687156	Quietflow 2 - Top Inlet Valve	1
405889	M5 Quietflow Outlet Valve Repair Kit (10pk)	100
750085	M5 Quietflow Outlet Valve	14
750109	M5 Vandal Resistance Bracket	10

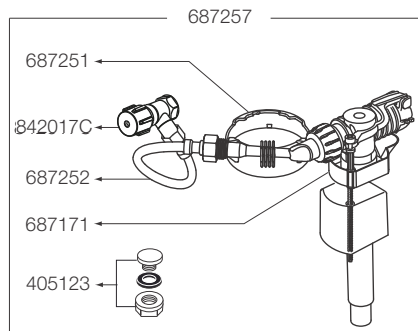


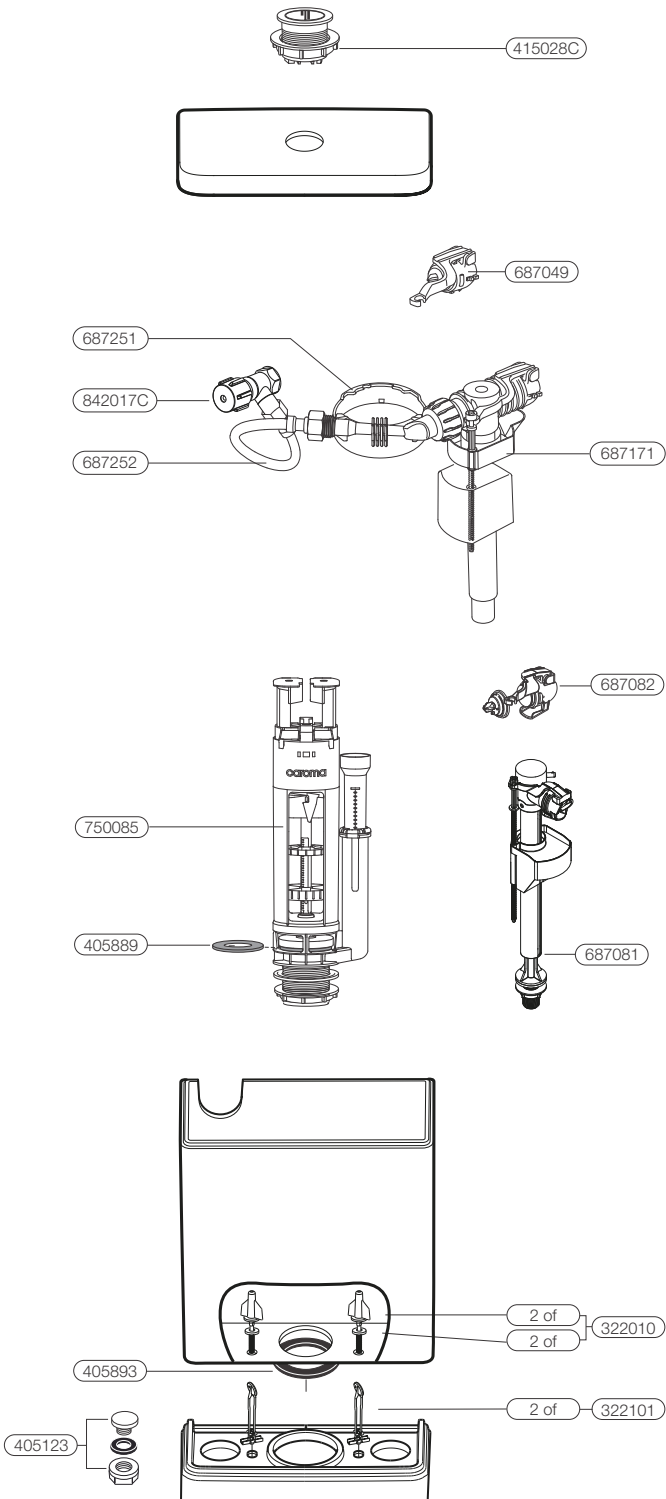
CODE	CISTERN LOCATION INSTALL CHOICE	C. QTY
405123	Stop Plug/Washer/Nut Kit	20
405167C	2000 Series Elongated Button (pre May 2006) - Chrome	24
405167I	2000 Series Elongated Button (pre May 2006) - Ivory	24
405167W	2000 Series Elongated Button (pre May 2006) - White	24
412122	2000 Series Elongated Button - Clamp & Screw (Post May 2006)	20
405889	M5 Quietflow Outlet Valve Repair Kit (10pk)	100
405893	13mm Foam Connection Seal	1
687240	Cistern Fixing Kit - CC Cistern	1
750085	M5 Quietflow Outlet Valve	14
HI-FLO VERSION		
218005	Quietflow Inlet Valve Seal Kit	40
405006	Outlet Valve Rubber Seal	300
405162	Button Adjusters Long	10
415297	Hi-Flo Outlet Valve	1
405888	Quietflow 2 - Bottom Inlet - Repair Kit	400
687042	Quietflow 2 - Bottom Inlet Valve	26
DUO-FLO VERSION		
405888	Quietflow 2 - Bottom Inlet - Repair Kit	400
687042	Quietflow 2 - Bottom Inlet Valve	26
412003	Outlet Valve - Interflow Tube & Seal	12

SOVEREIGN 2000 & SMARTFLUSH CISTERN SPARES



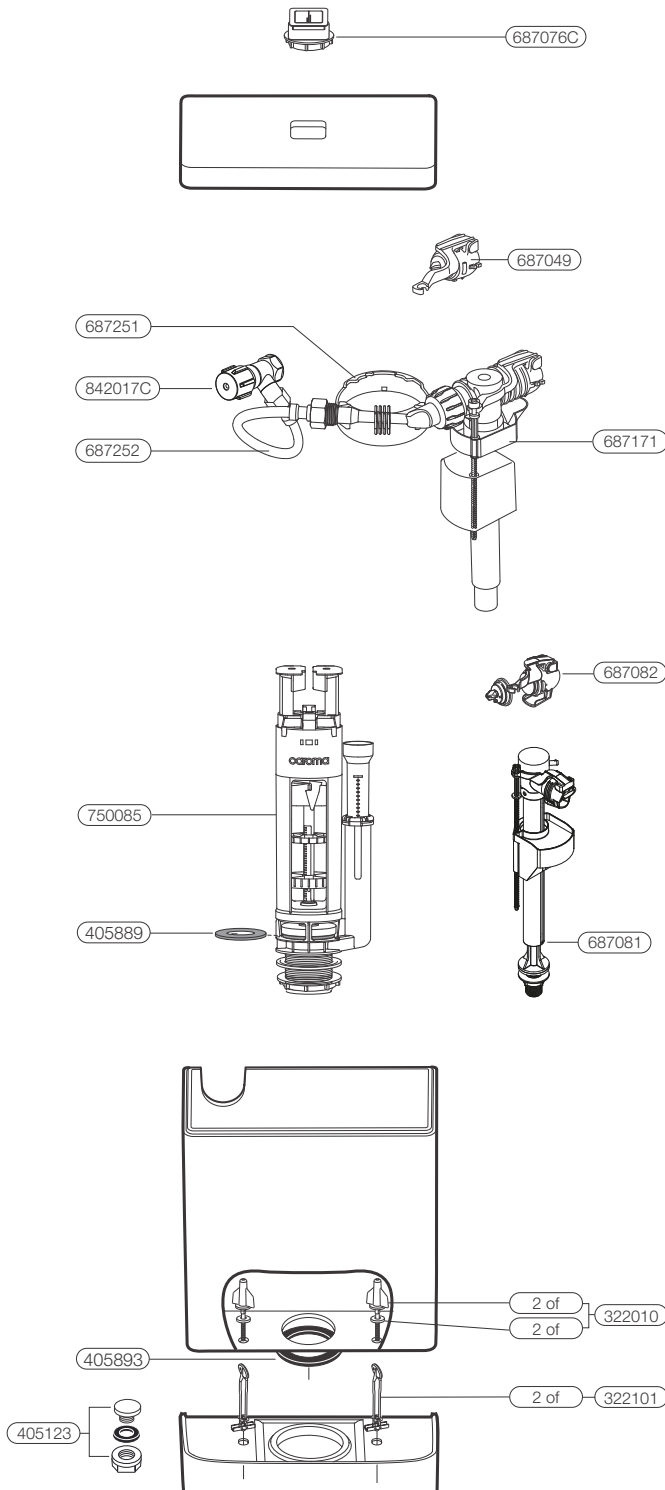
CODE	CISTERN LOCATION INSTALL CHOICE	C. QTY
412115	50mm Flanged Nut Kit	30
405123	Stop Plug/Washer/Nut Kit	20
405157	Kee Seal - 50mm Flushpipe	25
416010C	Round Operating Button	270
416020W	Round Care Buttons (Plastic)	1
687073C	Round Care Buttons (Metal)	1
405893	13mm Foam Connection Seal	1
M5 QUIETFLOW OUTLET VALVE VERSION		
842017C	Mini Cistern Stop	1
687049	UniFill Back Entry Inlet Valve - Repair Kit	1
687171	UniFill Back Entry Inlet Valve	1
687251	UniFill Back Entry Inlet Valve - Bracket	1
687252	UniFill Back Entry Inlet Valve - Flexible Hose	1
687257	M5 BE Conversion Kit	24
405889	M5 Quietflow Outlet Valve Repair Kit (10pk)	100
750085	M5 Quietflow Outlet Valve	14
HI-FLO VERSION		
842017C	Mini Cistern Stop	1
415297	Hi-Flo Outlet Valve	1
405888	Quietflow 2 - Bottom Inlet - Repair Kit	400
687081	Apollo Bottom Inlet Valve	40
687082	Apollo Inlet Valve Repair Kit (Post 2014)	400
DUO-FLO VERSION		
218005	Quietflow Inlet Valve Seal Kit	40
842017C	Mini Cistern Stop	1
405006	Outlet Valve Rubber Seal	300
405162	Button Adjusters Long - Pair	10
412003	Outlet Valve - Interflow Tube & Seal	12





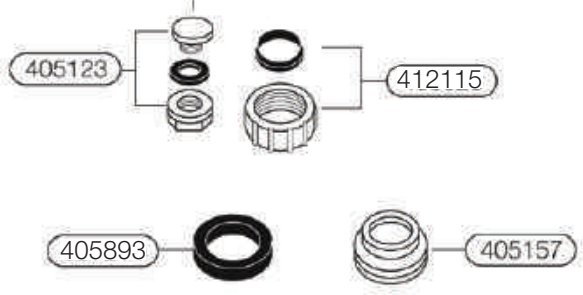
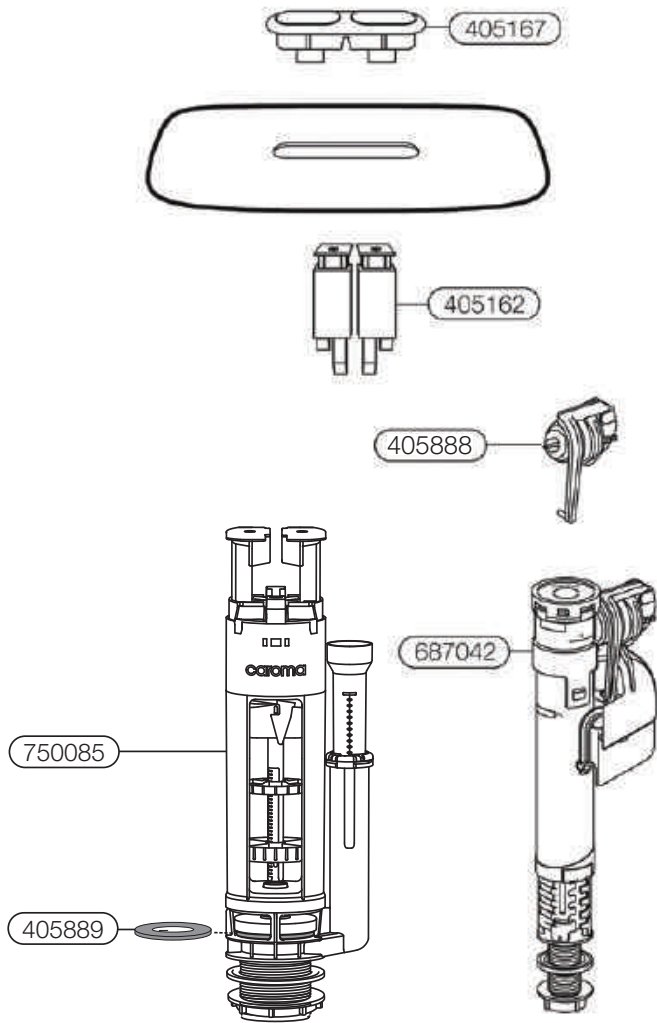
CODE	CISTERN LOCATION INSTALL CHOICE	C. QTY
322010	Cistern Fixing Kit - CC Blind Fixing	1
322101	Toggle Bolts - CC Blind Fixing	1
415028C	Round Operating Button & Bezel	1
405893	13mm Foam Connection Seal	1
M5 QUIETFLOW OUTLET VALVE VERSION		
842017C	Mini Cistern Stop	1
687049	UniFill Back Entry Inlet Valve - Repair Kit	1
687171	UniFill Back Entry Inlet Valve	1
687251	UniFill Back Entry Inlet Valve - Bracket	1
687252	UniFill Back Entry Inlet Valve - Flexible Hose	1
405889	M5 Quietflow Outlet Valve Repair Kit (10pk)	100
750085	M5 Quietflow Outlet Valve	14
687082	Apollo Inlet Valve Repair Kit	1
687081	Apollo Inlet Valve	1

URBANE CISTERN SPARES



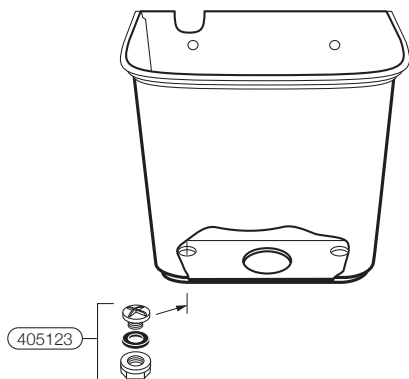
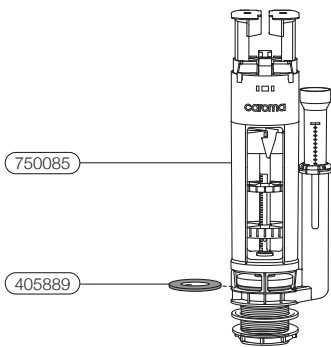
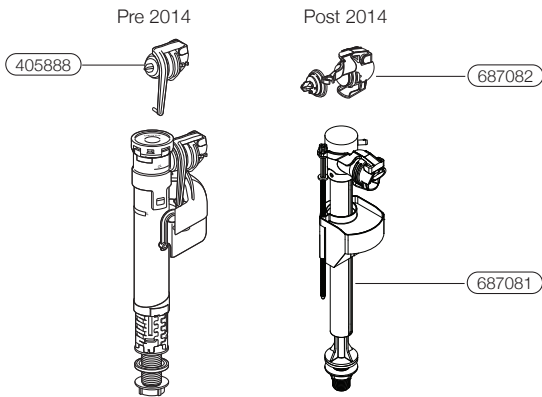
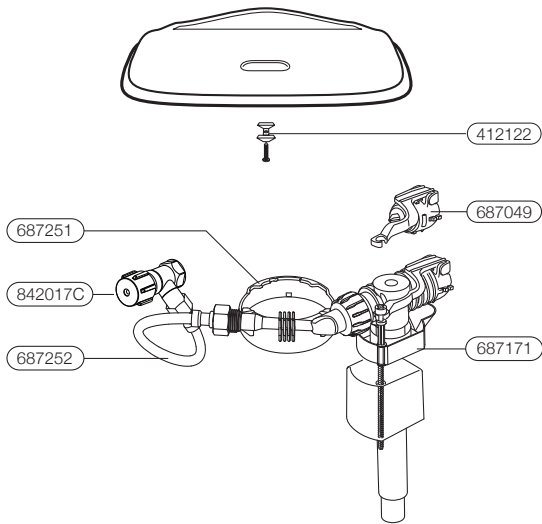
CODE	CISTERN LOCATION INSTALL CHOICE	C. QTY
322010	Cistern Fixing Kit - CC Blind Fixing	1
322101	Toggle Bolts - CC Blind Fixing	1
405123	Stop Plug/Washer/Nut Kit	1
687076C	Urbane Operating Button & Fixing Nut	1
405893	13mm Foam Connection Seal	1
QUIETFLOW 2 BACK ENTRY INLET VALVE		
842017C	Mini Cistern Stop	1
687049	UniFill Back Entry Inlet Valve - Repair Kit	1
687171	UniFill Back Entry Inlet Valve	1
687251	UniFill Back Entry Inlet Valve - Bracket	1
687252	UniFill Back Entry Inlet Valve - Flexible Hose	1
BOTTOM INLET VALVE		
687081	Apollo Bottom Inlet Valve	40
687082	Apollo Inlet Valve Repair Kit (Post 2014)	400
QUIETFLOW M5 OUTLET VALVE		
405889	M5 Quietflow Outlet Valve Repair Kit (10pk)	100
750085	M5 Quietflow Outlet Valve	14

VICEROY 2000 & REGAL 2000 CISTERN SPARES

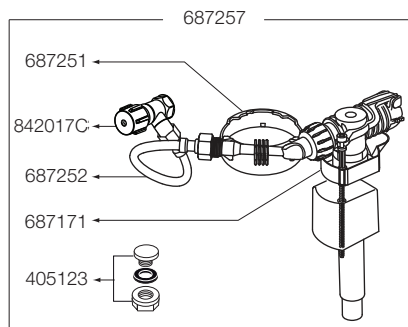


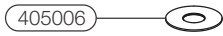
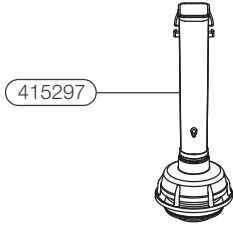
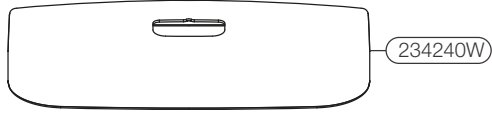
CODE	CISTERN LOCATION INSTALL CHOICE	C. QTY
412115	50mm Flanged Nut Kit	30
405123	Stop Plug/Washer/Nut Kit	20
405157	Kee Seal - 50mm Flushpipe	25
405167W	Button & Bezel - 2000 Series - White	1
405167C	Button & Bezel - 2000 Series - Chrome	1
405167I	Button & Bezel - 2000 Series - Ivory	1
405893	13mm Foam Connection Seal	1
M5 QUIETFLOW OUTLET VALVE VERSION		
218005	Quietflow Inlet Valve Seal Kit	40
405006	Outlet Valve Rubber Seal	300
405165	Button Adjusters Long	10
405888	Quietflow 2 - Bottom Inlet - Repair Kit	400
405889	M5 Quietflow Outlet Valve Repair Kit (10pk)	100
687042	Quietflow 2 - Bottom Inlet Valve	26
750085	M5 Quietflow Outlet Valve	14
DUO-FLO VERSION		
405006	Outlet Valve Rubber Seal	300
405162	Button Adjusters Long Pair	10
412003	Outlet Valve - Duoflo Short	1
405888	Quietflow 2 - Bottom Inlet - Repair Kit	400
687042	Quietflow 2 - Bottom Inlet Valve	26
HI-FLO VERSION		
415297	Hi-Flo Outlet Valve	1
405888	Quietflow 2 - Bottom Inlet - Repair Kit	400
687042	Quietflow 2 - Bottom Inlet Valve	26

VINTAGE CISTERN SPARE PARTS



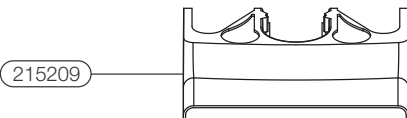
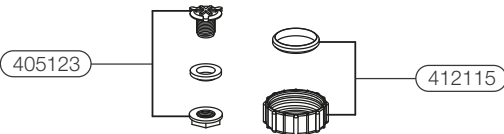
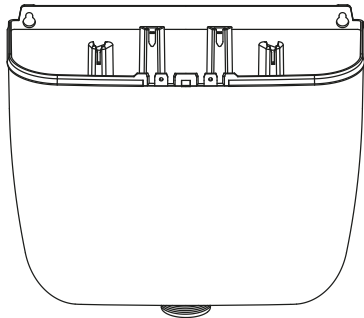
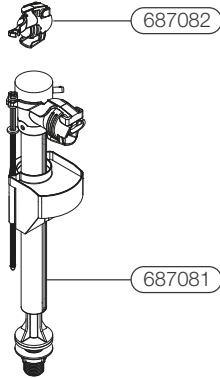
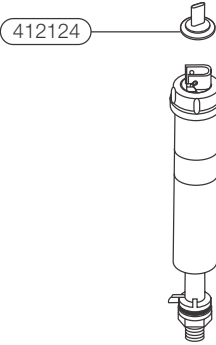
CODE	CISTERN LOCATION INSTALL CHOICE	C. QTY
405123	Stop Plug/Washer/Nut Kit	20
412122	2000 Series Elongated Button - Clamp & Screw	20
M5 QUIETFLOW OUTLET VALVE VERSION		
842017C	Mini Cistern Stop	1
405888	Quietflow 2 - Bottom Inlet - Repair Kit	400
687049	UniFill Back Entry Inlet Valve - Repair Kit	1
687081	Apollo Bottom Inlet Valve	40
687082	Apollo Inlet Valve Repair Kit (Post 2014)	400
687171	UniFill Back Entry Inlet Valve	1
687251	UniFill Back Entry Inlet Valve - Bracket	1
687252	UniFill Back Entry Inlet Valve - Flexible Hose	1
687257	M5 BE Conversion Kit	24
405889	M5 Quietflow Outlet Valve Repair Kit (10pk)	100
750085	M5 Quietflow Outlet Valve	14
HI-FLO VERSION		
842017C	Mini Cistern Stop	1
415297	Hi-Flo Outlet Valve	1
405888	Quietflow 2 - Bottom Inlet - Repair Kit	400
687081	Apollo Bottom Inlet Valve	40
687082	Apollo Inlet Valve Repair Kit (Post 2014)	400





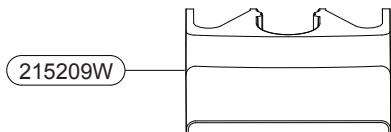
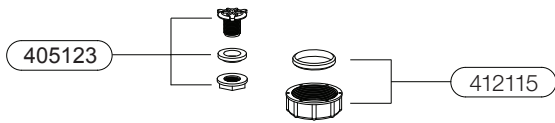
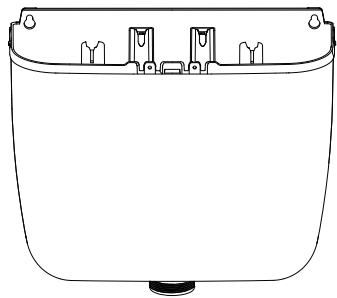
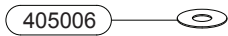
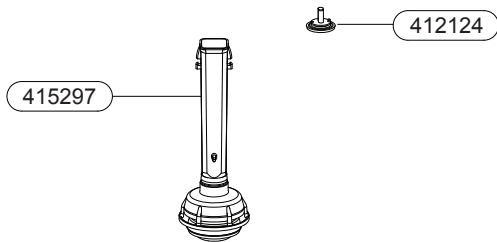
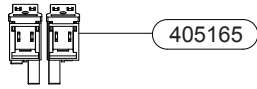
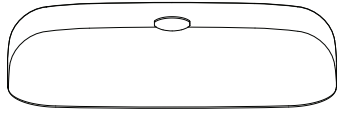
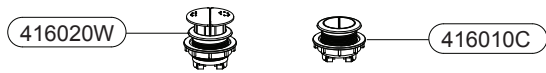
Pre 2010

Post 2010



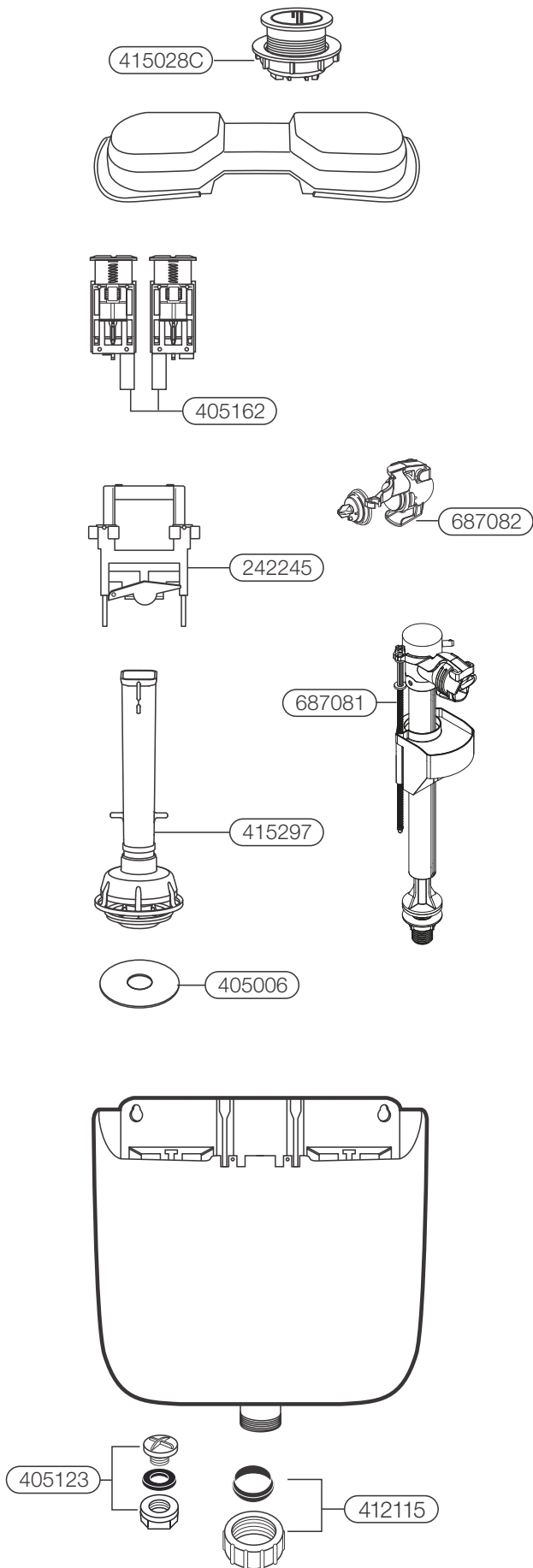
CODE	CISTERN LOCATION INSTALL CHOICE	C. QTY
215209W	Connection Plate - White	1
405006	Outlet Valve Rubber Seal	300
412115	50mm Flanged Nut Kit	30
405123	Stop Plug/Washer/Nut Kit	20
412124	Inlet Valve Repair Kit (Pre 2010)	20
415297	Hi-Flo Outlet Valve	1
405888	Quietflow 2 - Bottom Inlet - Repair Kit	400
687081	Apollo Bottom Inlet Valve	40
687082	Apollo Inlet Valve Repair Kit (Post 2014)	400

AIRE ULTRA LOW PRESSURE CISTERN SPARES



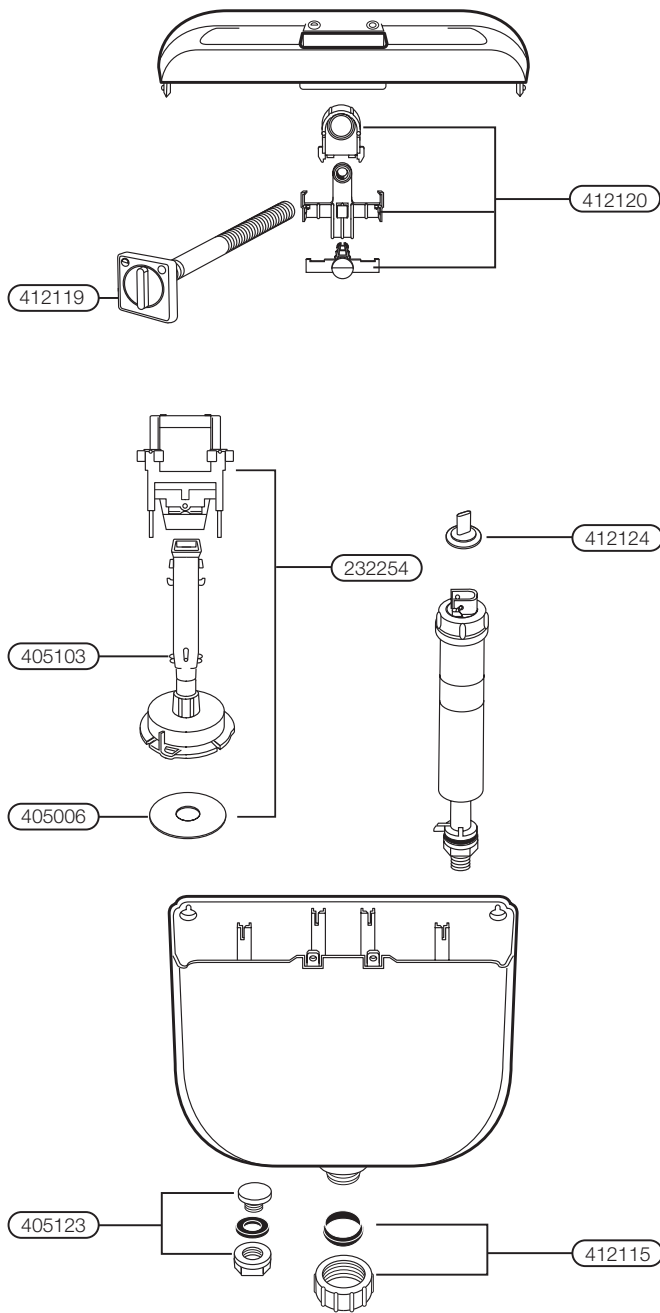
CODE	CISTERN LOCATION INSTALL CHOICE	C. QTY
215209W	Connection Plate - White	1
405006	Outlet Valve Rubber Seal	300
412115	50mm Flanged Nut Kit	30
405123	Stop Plug/Washer/Nut Kit	20
405165	Button Adjusters Short - Pair	10
412124	Inlet Valve Repair Kit	20
415297	Hi-Flo Outlet Valve	1
416010C	Round Operating Button	270
416020W	Round Care Buttons	1

COMPACT UNDERCOUNTER CISTERN SPARES



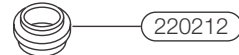
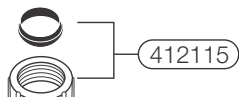
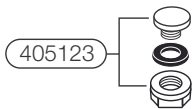
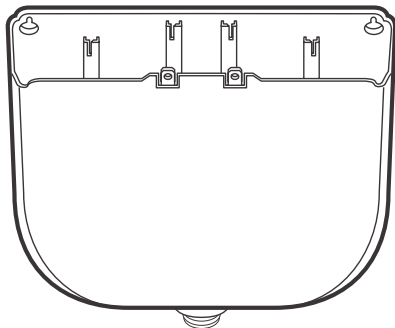
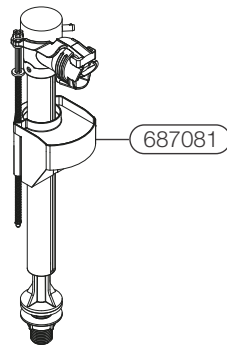
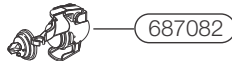
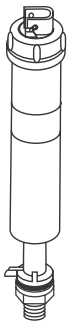
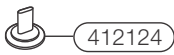
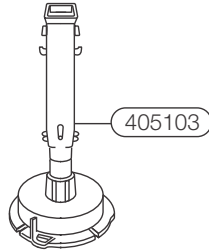
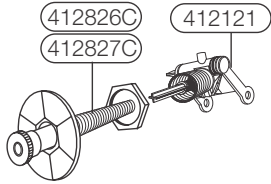
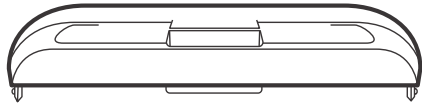
CODE	CISTERN LOCATION INSTALL CHOICE	C. QTY
242245	Operating Mechanism	1
405006	Outlet Valve Rubber Seal	300
412115	50mm Flanged Nut Kit	30
405123	Stop Plug/Washer/Nut Kit	20
405162	Button Adjusters Long	10
405167C	2000 Series Elongated Button (pre May 2006) - Chrome	24
405167I	2000 Series Elongated Button (pre May 2006) - Ivory	24
405167W	2000 Series Elongated Button (pre May 2006) - White	24
415028C	Round Operating Button & Bezel	1
415297	Hi-Flo Outlet Valve	1
405888	Quietflow 2 - Bottom Inlet - Repair Kit	400
687081	Apollo Bottom Inlet Valve (Post 2013)	40
687082	Apollo Inlet Valve Repair Kit (Post 2013)	400

CONCORDE INDUCT DUAL FLUSH CISTERN SPARES



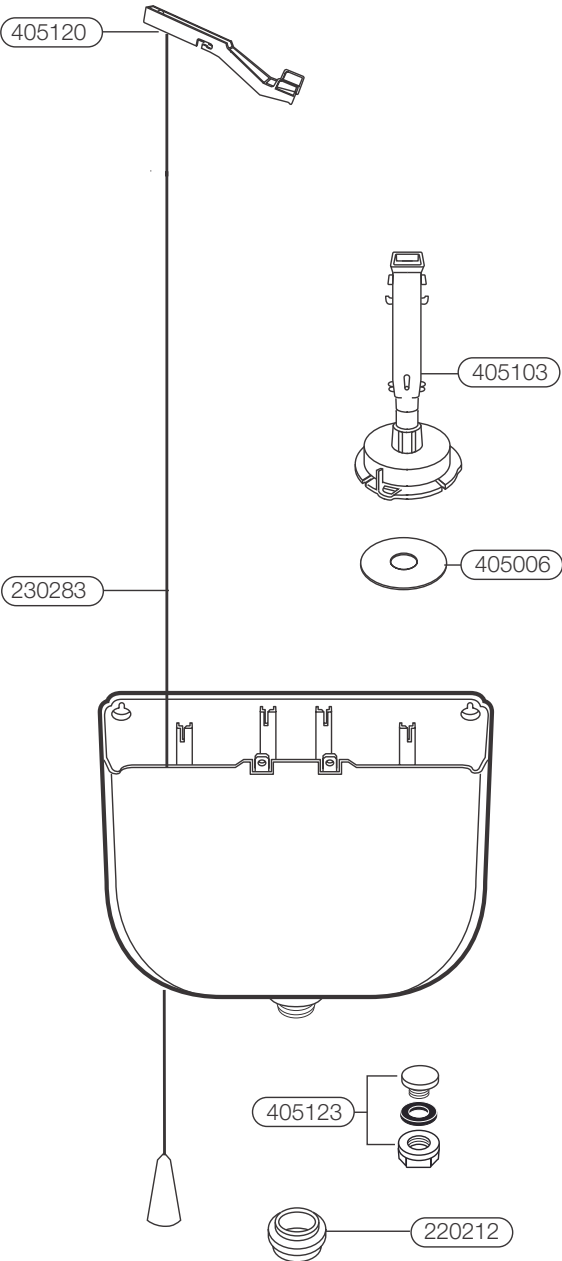
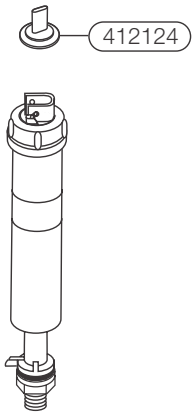
CODE	CISTERN LOCATION INSTALL CHOICE	C. QTY
211412	New Spring - Induct Cistern	1
232254	Operating Mechanism Assembly	1
405006	Outlet Valve Rubber Seal	300
412115	50mm Flanged Nut Kit	30
405103	Outlet Valve	1
405123	Stop Plug/Washer/Nut Kit	20
412119	Operating Mechanism	1
412120	Operating Mechanism	20
412124	Inlet Valve Repair Kit (Pre 2010)	20

CONCORDE INDUCT SINGLE FLUSH CISTERN SPARES



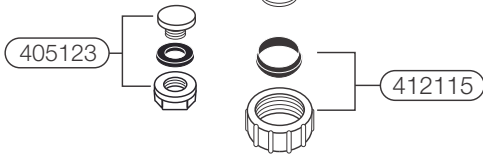
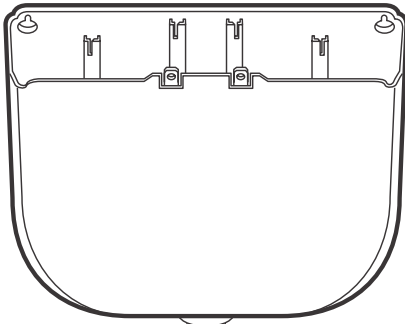
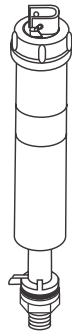
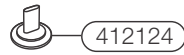
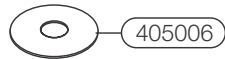
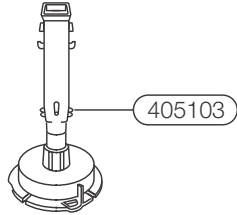
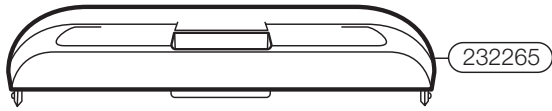
CODE	CISTERN LOCATION INSTALL CHOICE	C. QTY
220212	Reducing Rubber	1
405006	Outlet Valve Rubber Seal	300
412115	50mm Flanged Nut Kit	30
405103	Outlet Valve	1
405123	Stop Plug/Washer/Nut Kit	20
412121	Operating Mechanism	20
412124	Inlet Valve Repair Kit (Pre 2010)	20
687081	Apollo Bottom Inlet Valve	40
687082	Apollo Inlet Valve Repair Kit (Post 2014)	400

CONCORDE PULL CORD CISTERN SPARES



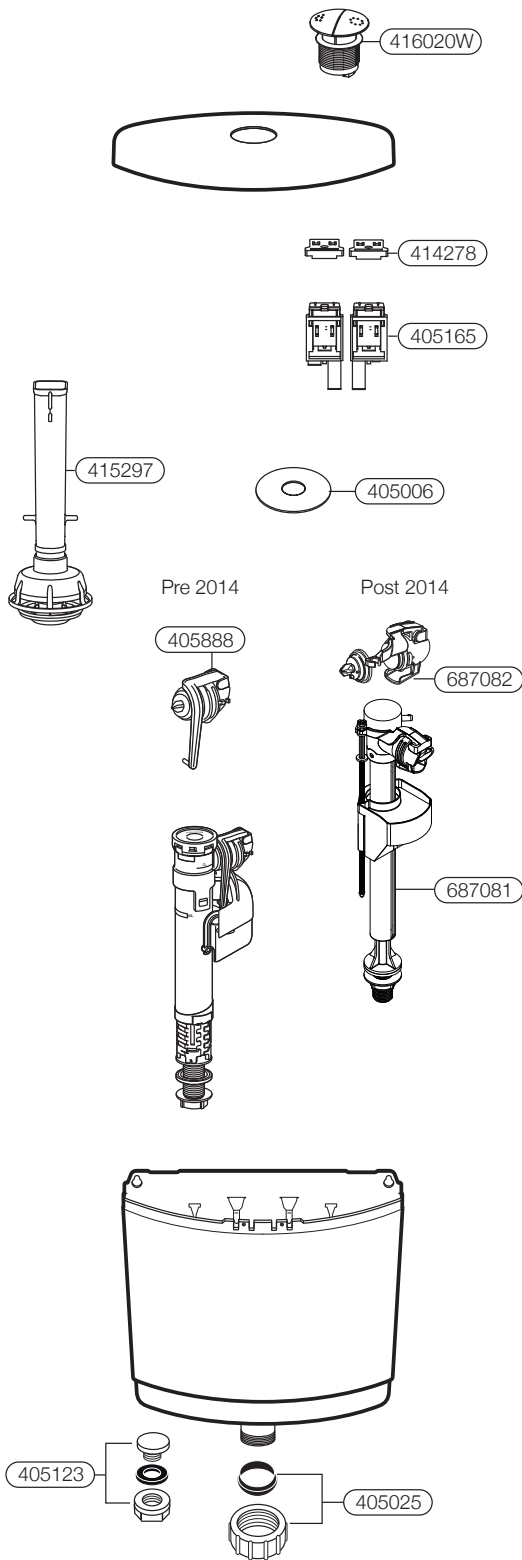
CODE	CISTERN LOCATION INSTALL CHOICE	C. QTY
220212	Reducing Rubber	1
230283	Pull Cord & Handle	1
405006	Outlet Valve Rubber Seal	300
405103	Outlet Valve	1
405120	Lever Bar - New Style	15
405123	Stop Plug/Washer/Nut Kit	20
412124	Inlet Valve Repair Kit (Pre 2010)	20

CONCORDE SINGLE FLUSH CISTERN SPARES



CODE	CISTERN LOCATION INSTALL CHOICE	C. QTY
405006	Outlet Valve Rubber Seal	300
412115	50mm Flanged Nut Kit	30
405103	Outlet Valve	1
405123	Stop Plug/Washer/Nut Kit	20
412124	Inlet Valve Repair Kit (Pre 2010)	20
405888	Quietflow 2 - Bottom Inlet - Repair Kit	400
687081	Apollo Bottom Inlet Valve	40
687082	Apollo Inlet Valve Repair Kit (Post 2014)	400

COSMO, COSMO CARE DUAL FLUSH CISTERN SPARES

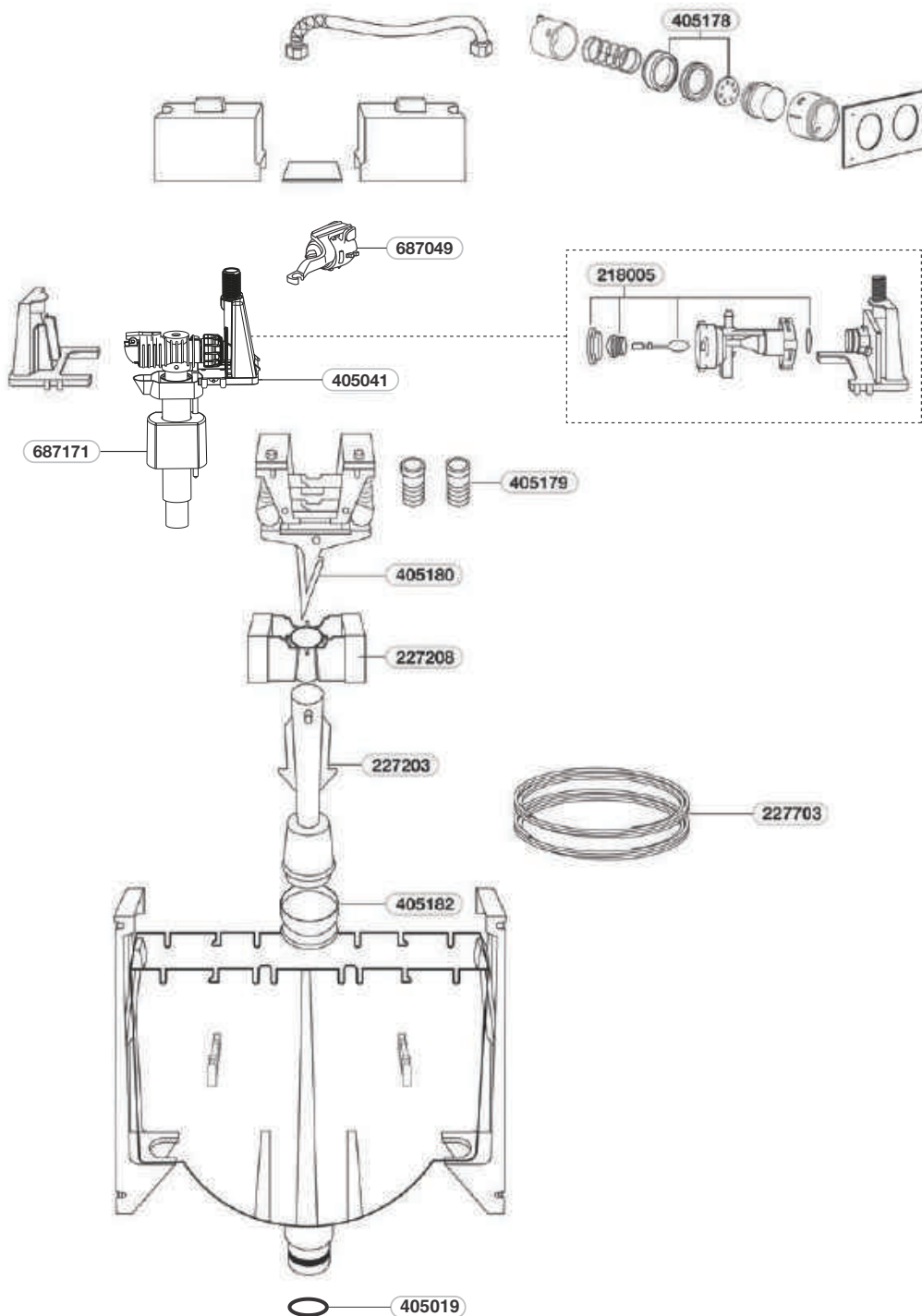


CODE	CISTERN LOCATION INSTALL CHOICE	C. QTY
405006	Outlet Valve Rubber Seal	300
412115	50mm Flanged Nut Kit	30
405123	Stop Plug/Washer/Nut Kit	20
405165	Button Adjusters Short - Pair	10
414278	Button Extension Platform (single)	1
415297	Hi-Flo Outlet Valve	1
416020W	Round Care Buttons - White	1
405888	Quietflow 2 - Bottom Inlet - Repair Kit (pre 2010)	400
687081	Apollo Bottom Inlet Valve	40
687082	Apollo Inlet Valve Repair Kit (Post 2014)	400
416020SB	Button Care - Sorrento Blue	1

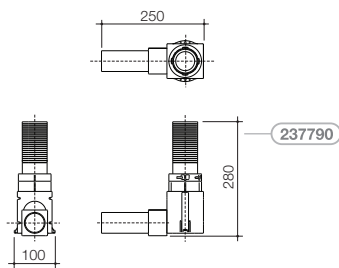
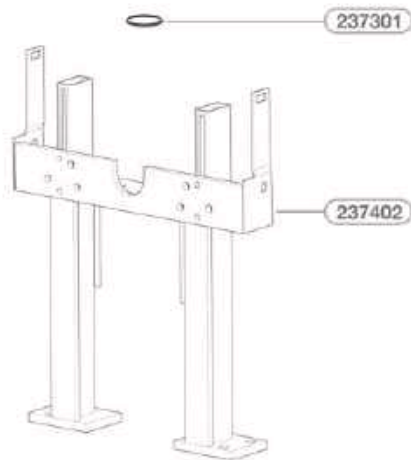
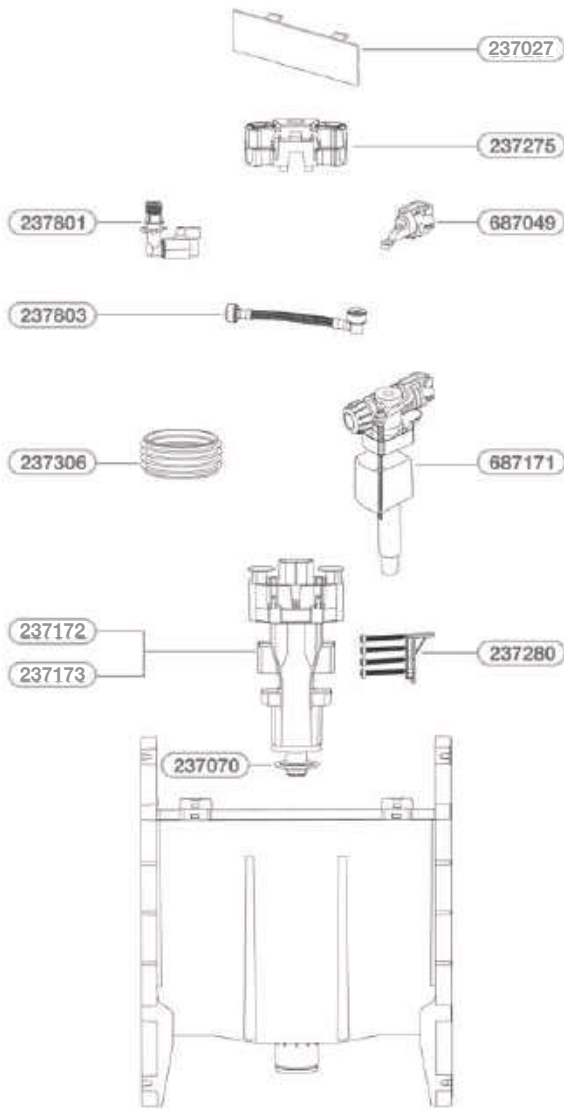
INVISI CISTERN & MKIII WATER WAFER CISTERN SPARES



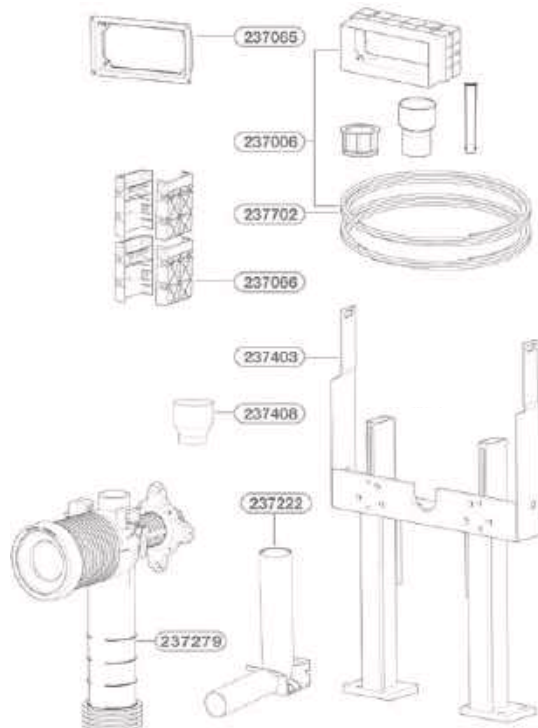
CODE	CISTERN LOCATION INSTALL CHOICE	C. QTY
218005	Quietflow Inlet Valve Seal Kit	40
227203	Interflow Tube Dual Flush Invisi	1
227208	Water Wafer Float	1
227703	Blue Pneumatic Tube	1
405041	Inlet Valve Assembly - MKIII	12
405178	Push Button Seal Kit	20
405179	Outlet Valve Bellows Kit	20
405180	Operating Mechanism - including Bellows	4
405182	Outlet Valve Seal (each)	20
405019	Tail Seal Ring Kit	1



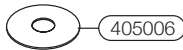
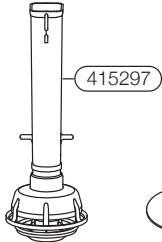
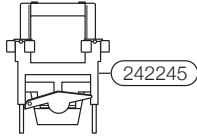
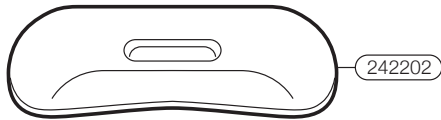
INVISI SERIES II® CISTERN SPARES



CODE	CISTERN LOCATION INSTALL CHOICE	C. QTY
237006	Remote Mounting Box Kit	1
237070	Outlet Valve Seal (10pk)	1
237172	4.5/3 Outlet Valve Assembly	1
237173	Urinal Outlet Valve Assembly	1
237222	Invisi 2 Flushpipe - Tall	1
237275	Bridge Assembly With Bellows	1
237279	Wall Hung Pan Connector	1
237280	Allen Key & Screw Group	1
237301	Cistern O'Ring	1
237306	Waste Pipe Seal For Copper Pipe	1
237402	Short Pan Bracket	1
237403	Tall Pan Bracket	1
237408	Copper Flush Pipe Adapter 40mm	1
237702	Clear Pneumatic Tube 4m (Qty 1)	1
237801	Isolating Tap Assembly	1
237803	Braided Hose	1
405157	Kee Seal - 50mm Flushpipe	25
405160	Kee Seal - 40mm Flushpipe	1
687035	Kee Seal - 40mm Copper Pipe	1
687049	Unifill Inlet Valve Spare Parts Pack	1
687171	Unifill Inlet Valve With Bayonet Connection	1
237790	Invisi II Adjustable Flushpipe - Spare Part	1



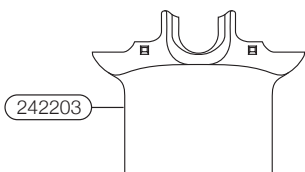
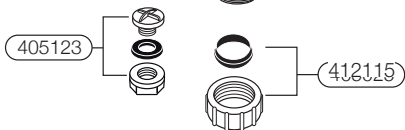
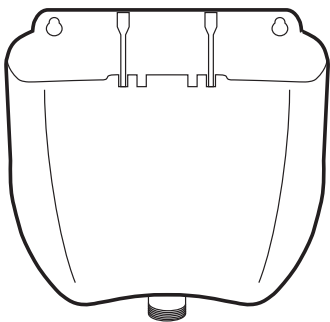
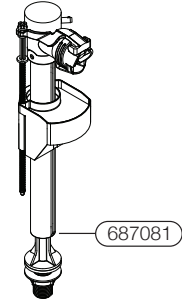
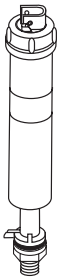
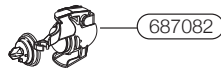
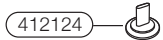
MINI-UNISSET CISTERN SPARES



CODE	CISTERN LOCATION INSTALL CHOICE	C. QTY
242245	Operating Mechanism	1
405006	Outlet Valve Rubber Seal	300
412115	50mm Flanged Nut Kit	30
405123	Stop Plug/Washer/Nut Kit	20
412124	Inlet Valve Repair Kit (Pre 2010)	20
415297	Hi-Flo Outlet Valve	1
687081	Apollo Bottom Inlet Valve	40
687082	Apollo Inlet Valve Repair Kit (Post 2014)	400

Pre 2011

Post 2011

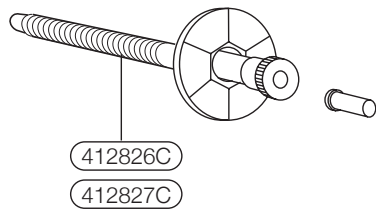
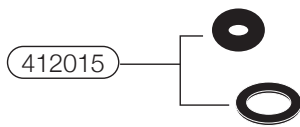
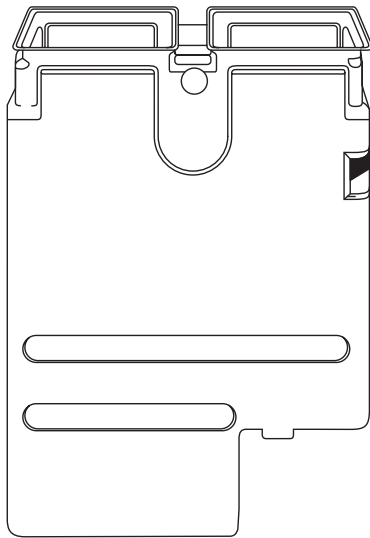
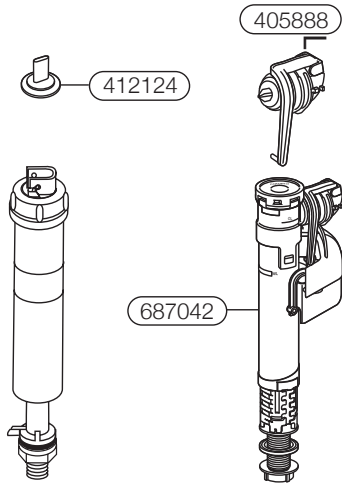


PEDIGREE TOP OR BOTTOM PUSH CISTERN SPARES



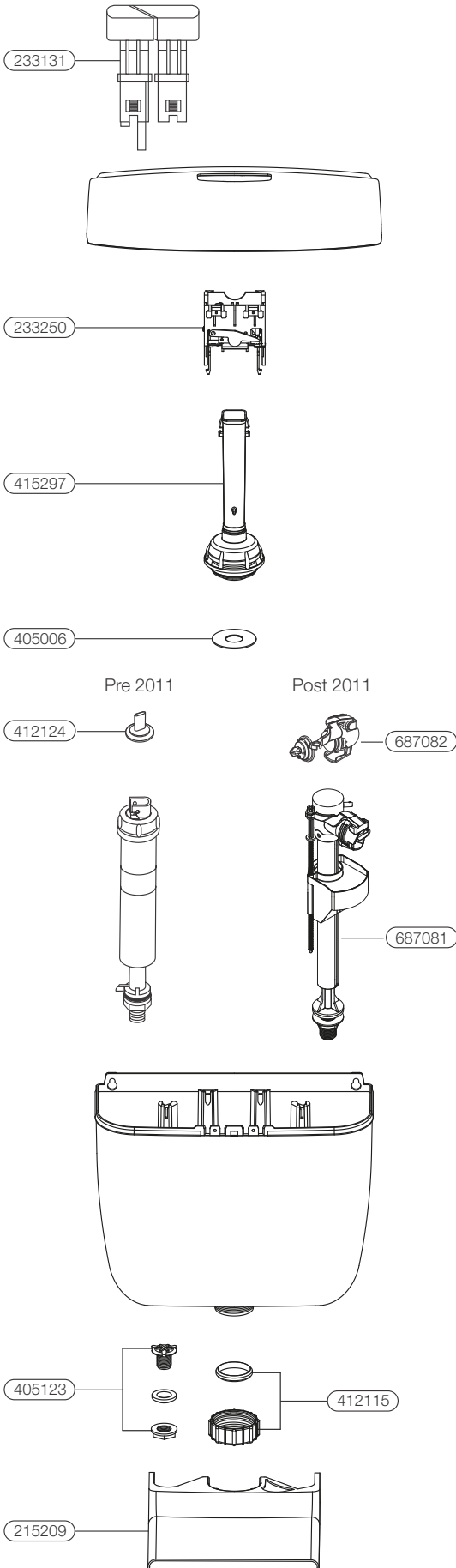
Pre 2010

Post 2010



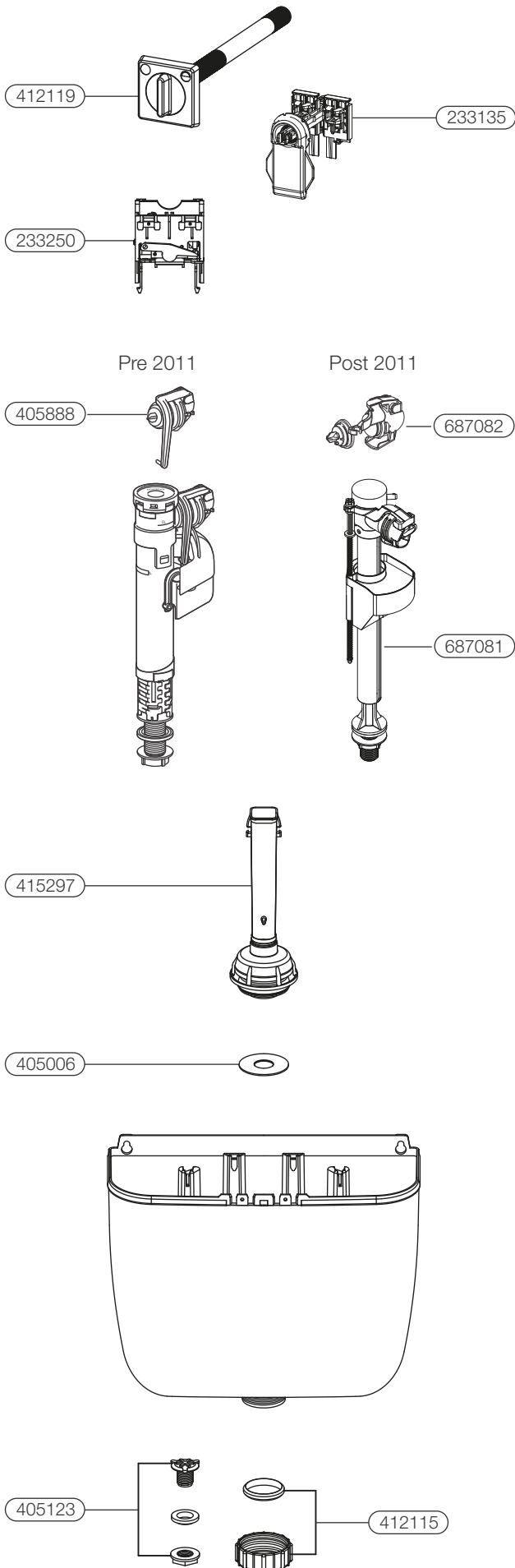
CODE	CISTERN LOCATION INSTALL CHOICE	C. QTY
412015	Outlet Valve Repair Kit	72
412124	Inlet Valve Repair Kit (Pre 2010)	20
412826C	Button Assembly 230mm - Top Press	1
412827C	Button Assembly 330mm - Top Press	1
405888	Quietflow 2 - Bottom Inlet - Repair Kit	400
687042	Quietflow 2 - Bottom Inlet Valve	26

SLIMLINE CISTERN SPARES



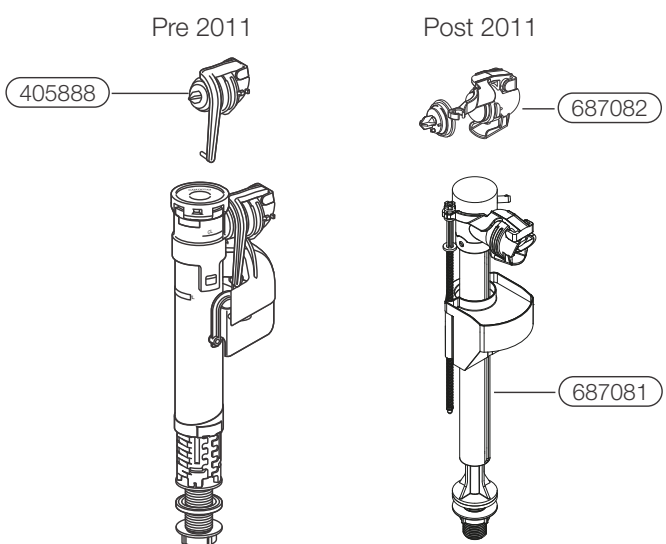
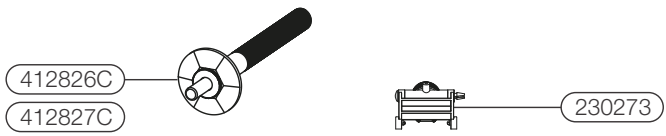
CODE	CISTERN LOCATION INSTALL CHOICE	C. QTY
215209W	Connection Plate - White	1
233131W	Button (Pre 2011) - White	1
233250	Bridge Assembly	1
405006	Outlet Valve Rubber Seal	300
412115	50mm Flanged Nut Kit	30
405123	Stop Plug/Washer/Nut Kit	20
412124	Inlet Valve Repair Kit (Pre 2010)	1
415297	Hi-Flo Outlet Valve	1
687081	Apollo Bottom Inlet Valve	40
687082	Apollo Inlet Valve Repair Kit (Post 2014)	400

SLIMLINE INDUCT DUAL FLUSH CISTERN SPARES

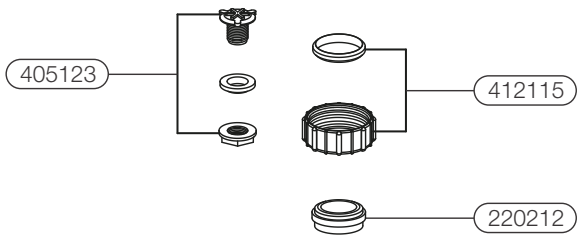
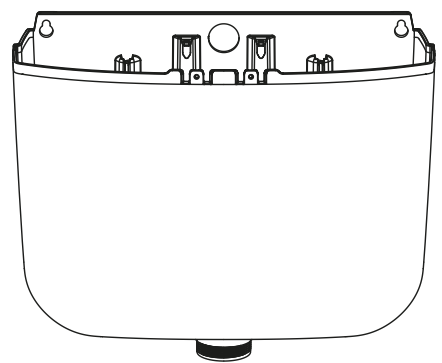
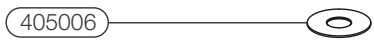
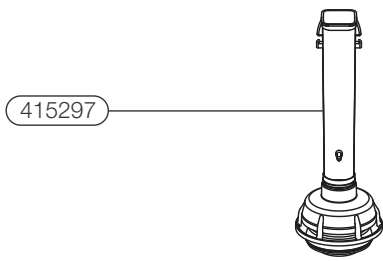


CODE	CISTERN LOCATION INSTALL CHOICE	C. QTY
233135	Operating Mechanism	1
233250	Bridge Assembly	1
405006	Outlet Valve Rubber Seal	300
412115	50mm Flanged Nut Kit	30
405123	Stop Plug/Washer/Nut Kit	20
412119	Operating Mechanism	1
415297	Hi-Flo Outlet Valve	1
405888	Quietflow 2 - Bottom Inlet - Repair Kit	400
687081	Apollo Bottom Inlet Valve	40
687082	Apollo Inlet Valve Repair Kit (Post 2014)	400

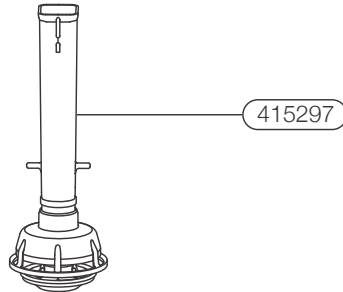
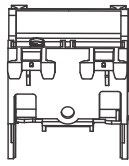
SLIMLINE INDUCT SINGLE FLUSH CISTERN SPARES



CODE	CISTERN LOCATION INSTALL CHOICE	C. QTY
220212	Reducing Rubber	1
230273	Operating Mechanism	1
405006	Outlet Valve Rubber Seal	300
412115	50mm Flanged Nut Kit	30
405123	Stop Plug/Washer/Nut Kit	20
412826C	Button Assembly 230mm - Top Press	1
412827C	Button Assembly 330mm - Top Press	1
415297	Hi-Flo Outlet Valve	1
405888	Quietflow 2 - Bottom Inlet - Repair Kit	400
687081	Apollo Bottom Inlet Valve	40
687082	Apollo Inlet Valve Repair Kit (Post 2014)	400



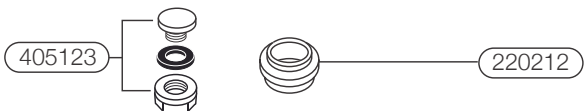
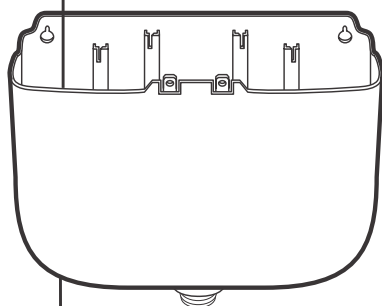
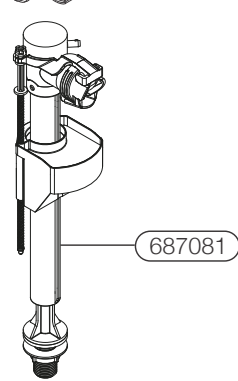
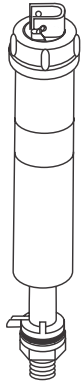
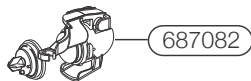
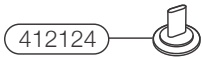
SLIMLINE PULL CORD CISTERN SPARES



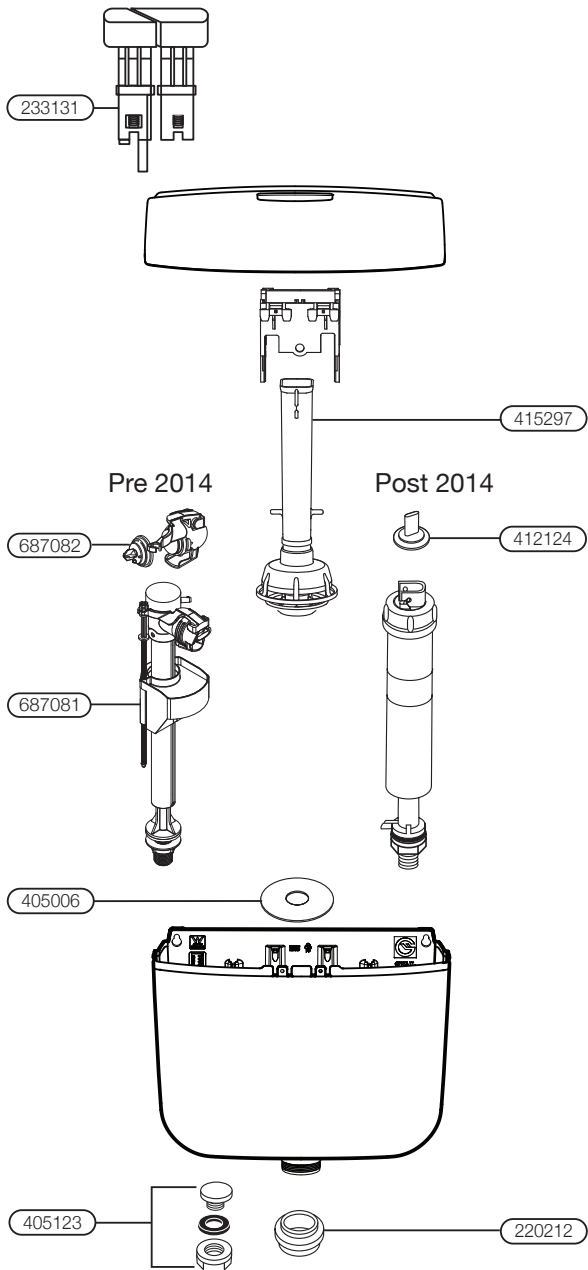
CODE	CISTERN LOCATION INSTALL CHOICE	C. QTY
220212	Reducing Rubber	1
230283	Pull Cord & Handle	1
405006	Outlet Valve Rubber Seal	300
405123	Stop Plug/Washer/Nut Kit	20
412124	Inlet Valve Repair Kit (Pre 2010)	20
415297	Hi-Flo Outlet Valve	1
687081	Apollo Bottom Inlet Valve	40
687082	Apollo Inlet Valve Repair Kit (Post 2014)	400

Pre 2011

Post 2011

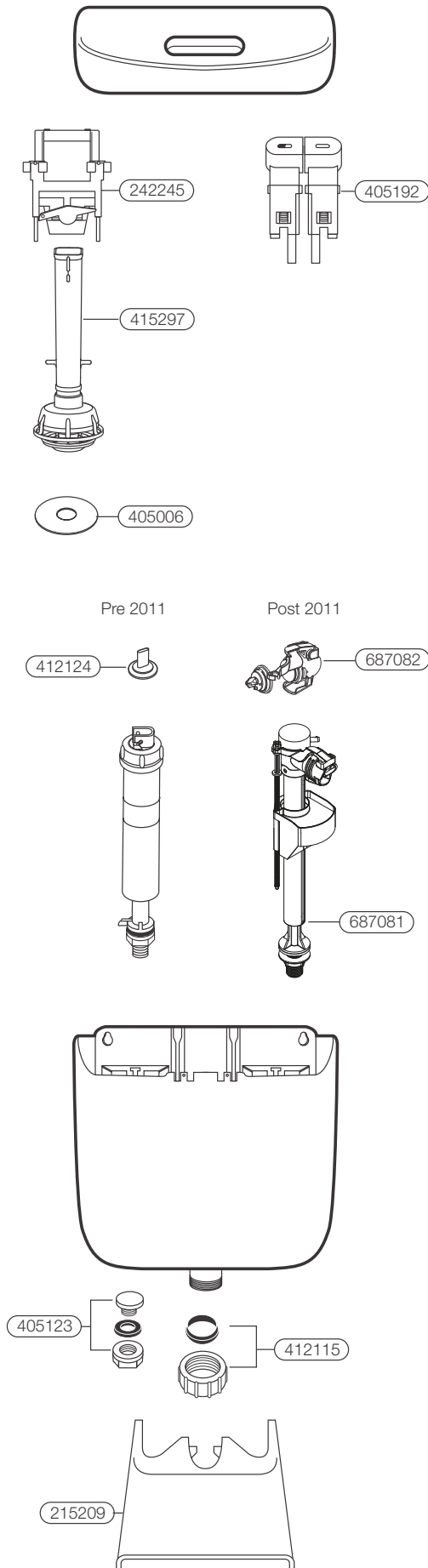


SLIMLINE RESTRICTED CISTERN SPARES



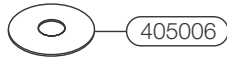
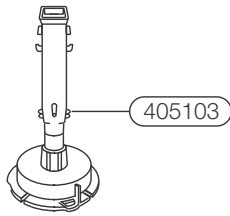
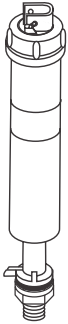
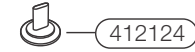
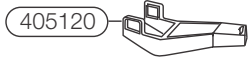
CODE	CISTERN LOCATION INSTALL CHOICE	C. QTY
220212	Reducing Rubber	1
233131W	Button (Pre 2011) - White	1
405006	Outlet Valve Rubber Seal	300
405123	Stop Plug/Washer/Nut Kit	20
412124	Inlet Valve Repair Kit (Pre 2010)	20
415297	Hi-Flo Outlet Valve	1
405888	Quietflow 2 - Bottom Inlet - Repair Kit	400
687081	Apollo Bottom Inlet Valve	40
687082	Apollo Inlet Valve Repair Kit (Post 2014)	400

TRIDENT CISTERN SPARES

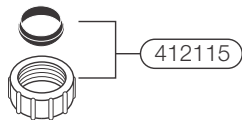
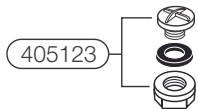
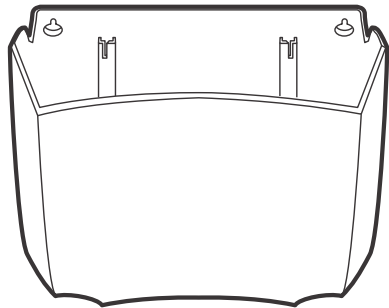


CODE	CISTERN LOCATION INSTALL CHOICE	C. QTY
215209W	Connection Plate - White	1
242245	Operating Mechanism	1
405006	Outlet Valve Rubber Seal	300
412115	50mm Flanged Nut Kit	30
405123	Stop Plug/Washer/Nut Kit	20
405192W	Button Set	24
412124	Inlet Valve Repair Kit (Pre 2010)	20
415297	Hi-Flo Outlet Valve	1
687081	Apollo Bottom Inlet Valve	40
687082	Apollo Inlet Valve Repair Kit (Post 2014)	400

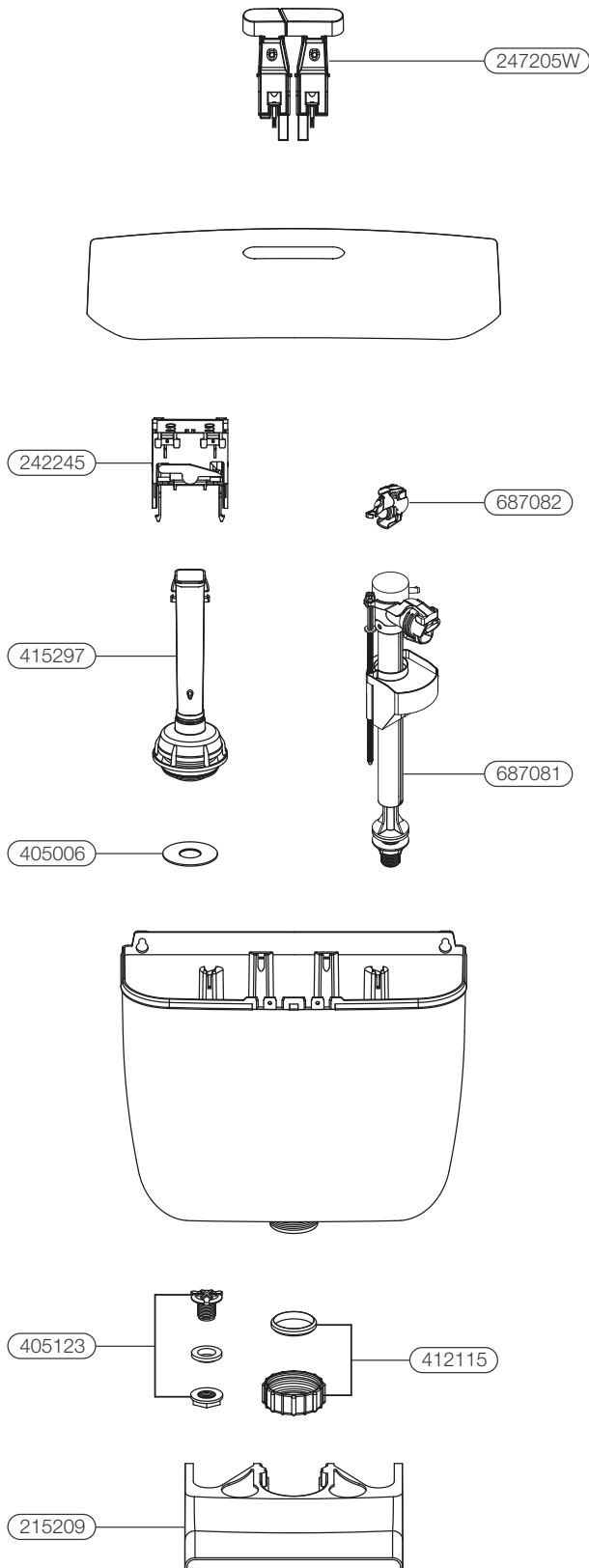
UNISET & SOLITAIRE DUAL FLUSH CISTERN SPARES



CODE	CISTERN LOCATION INSTALL CHOICE	C. QTY
405006	Outlet Valve Rubber Seal	300
412115	50mm Flanged Nut Kit	30
405103	Outlet Valve	1
405120	Lever Bar - New Style	15
405123	Stop Plug/Washer/Nut Kit	20
412124	Inlet Valve Repair Kit (Pre 2010)	20

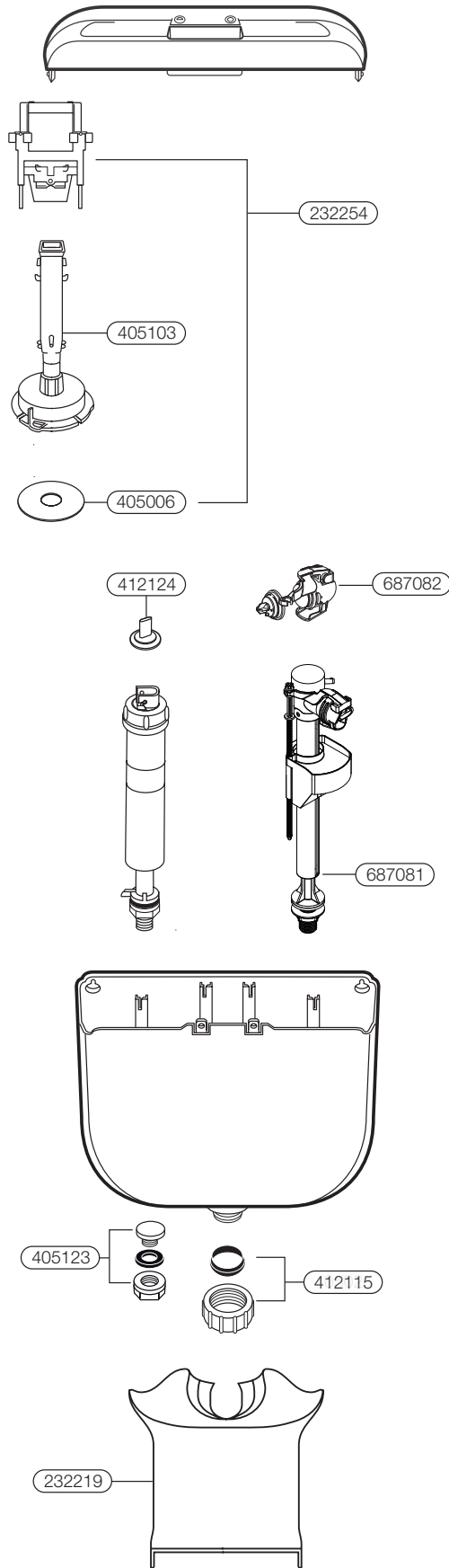


UNISET II & SOLITAIRE II DUAL FLUSH CISTERN SPARES



CODE	CISTERN LOCATION INSTALL CHOICE	C. QTY
215209W	Connection Plate - White	1
242245	Bridge Mechanism Assembly	20
247205W	Button	10
405006	Outlet Valve Rubber Seal	20
412115	50mm Flanged Nut Kit	30
405123	Stop Plug/Washer/Nut Kit	20
415297	Hi-Flo Outlet Valve	80
687081	Apollo Bottom Inlet Valve	40
687082	Apollo Inlet Valve Repair Kit (Post 2014)	400

VERONA & CONCORDE DUAL FLUSH CISTERN SPARES



CODE	CISTERN LOCATION INSTALL CHOICE	C. QTY
232254	Operating Mechanism	1
405006	Outlet Valve Rubber Seal	300
412115	50mm Flanged Nut Kit	30
405103	Outlet Valve	1
405123	Stop Plug/Washer/Nut Kit	20
412124	Inlet Valve Repair Kit (Pre 2010)	20
405888	Quietflow 2 - Bottom Inlet - Repair Kit	400
687042	Quietflow 2 - Bottom Inlet Valve	26
687081	Apollo Bottom Inlet Valve	40
687082	Apollo Inlet Valve Repair Kit (Post 2014)	400

WATER WAFER MK1 CISTERN SPARES



CODE	CISTERN LOCATION INSTALL CHOICE	C. QTY
227208	Water Wafer Float	1
412115	50mm Flanged Nut Kit	30
405173	Inlet Repair Kit (Mains Pressure)	50
405179	Outlet Valve Bellows Kit	20
405180	Operating Mechanism - incl Bellows	4
405182	Outlet Valve Seal (each)	20

