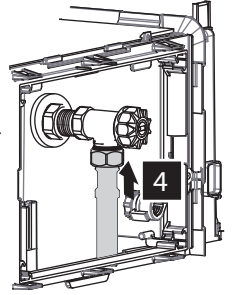
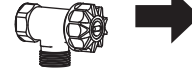
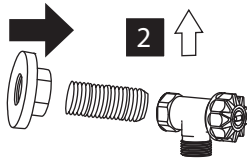
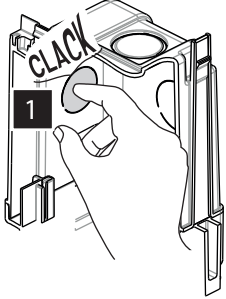
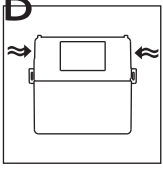
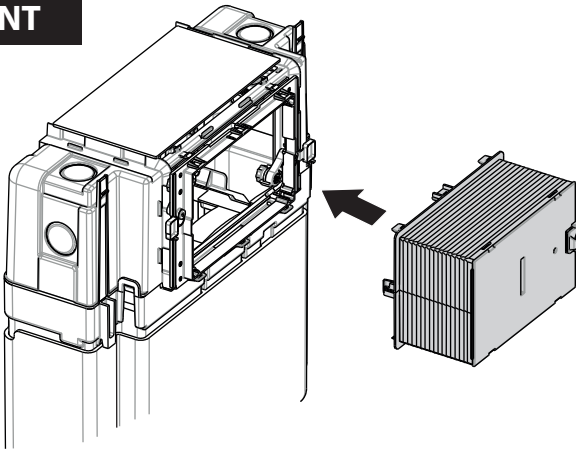


2B

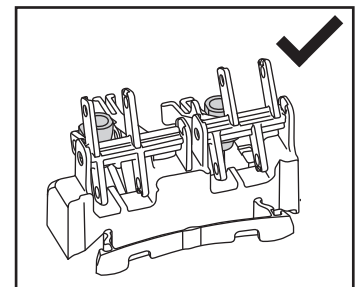
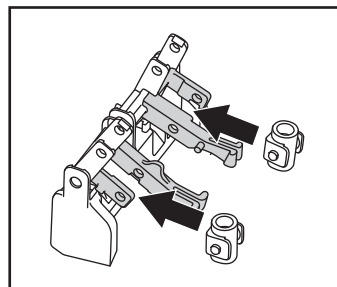
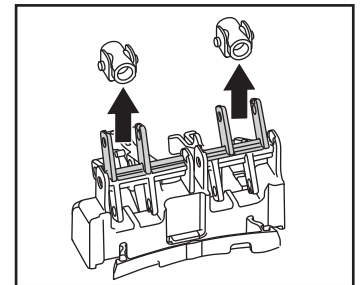
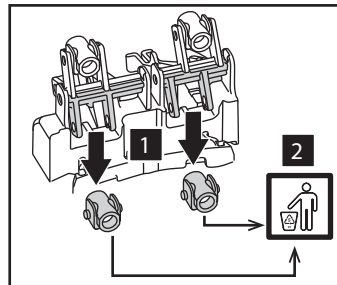
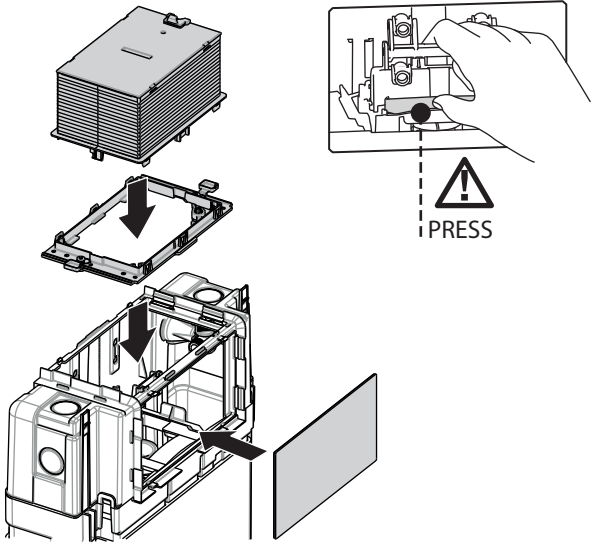


3

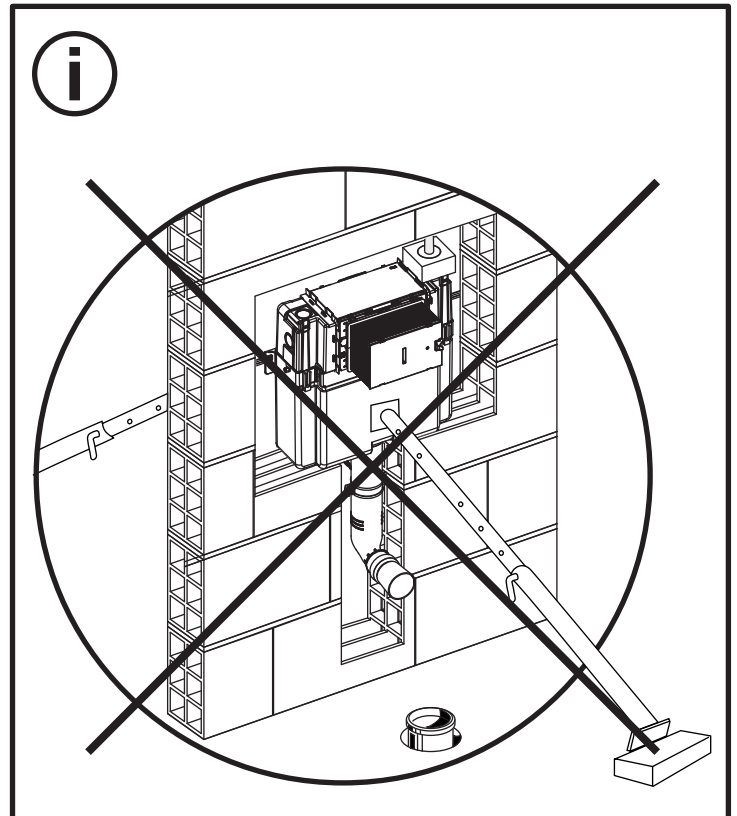
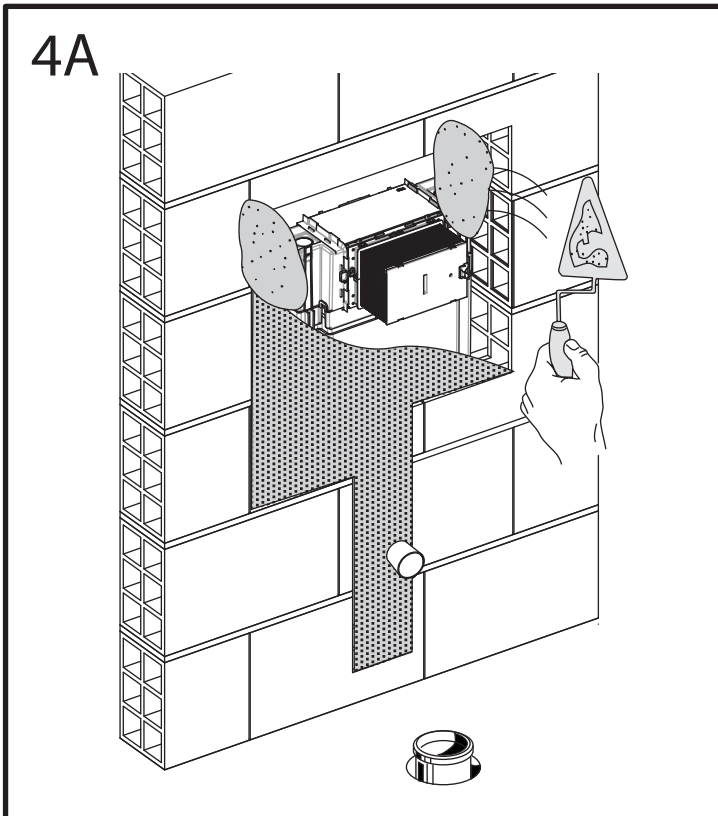
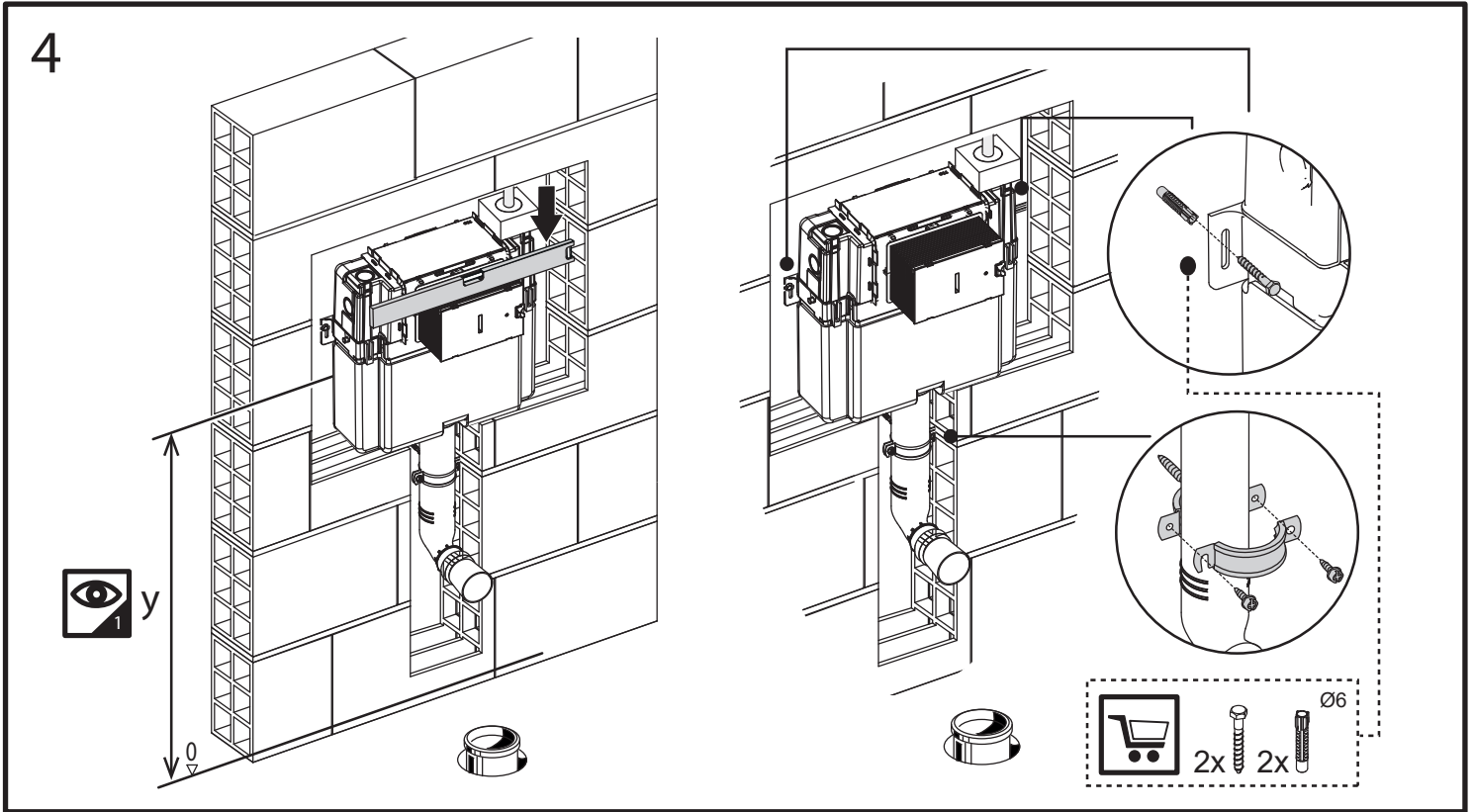
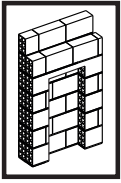
FRONT

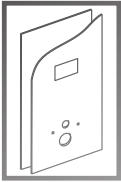


TOP

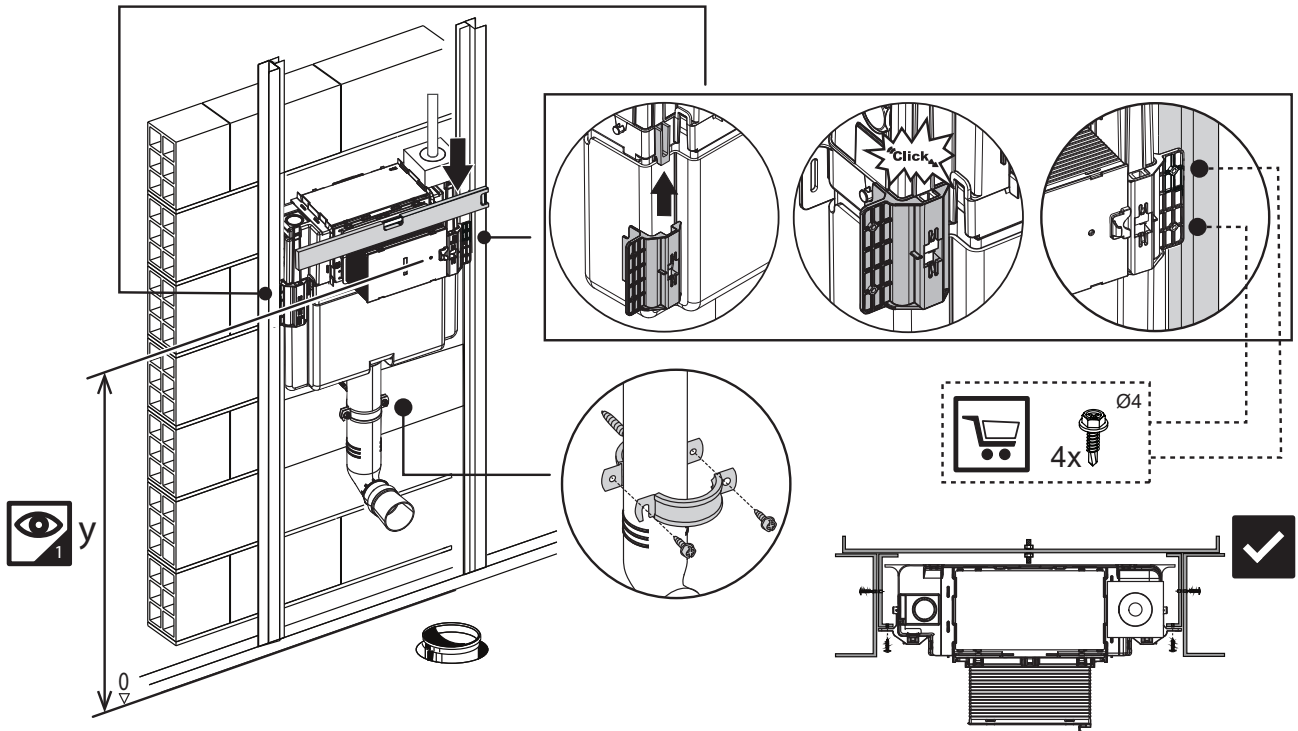


NB: If using mechanical push plates, the location of the threaded sleeves will need to be adjusted on the bridging piece accordingly to match the desired access location.



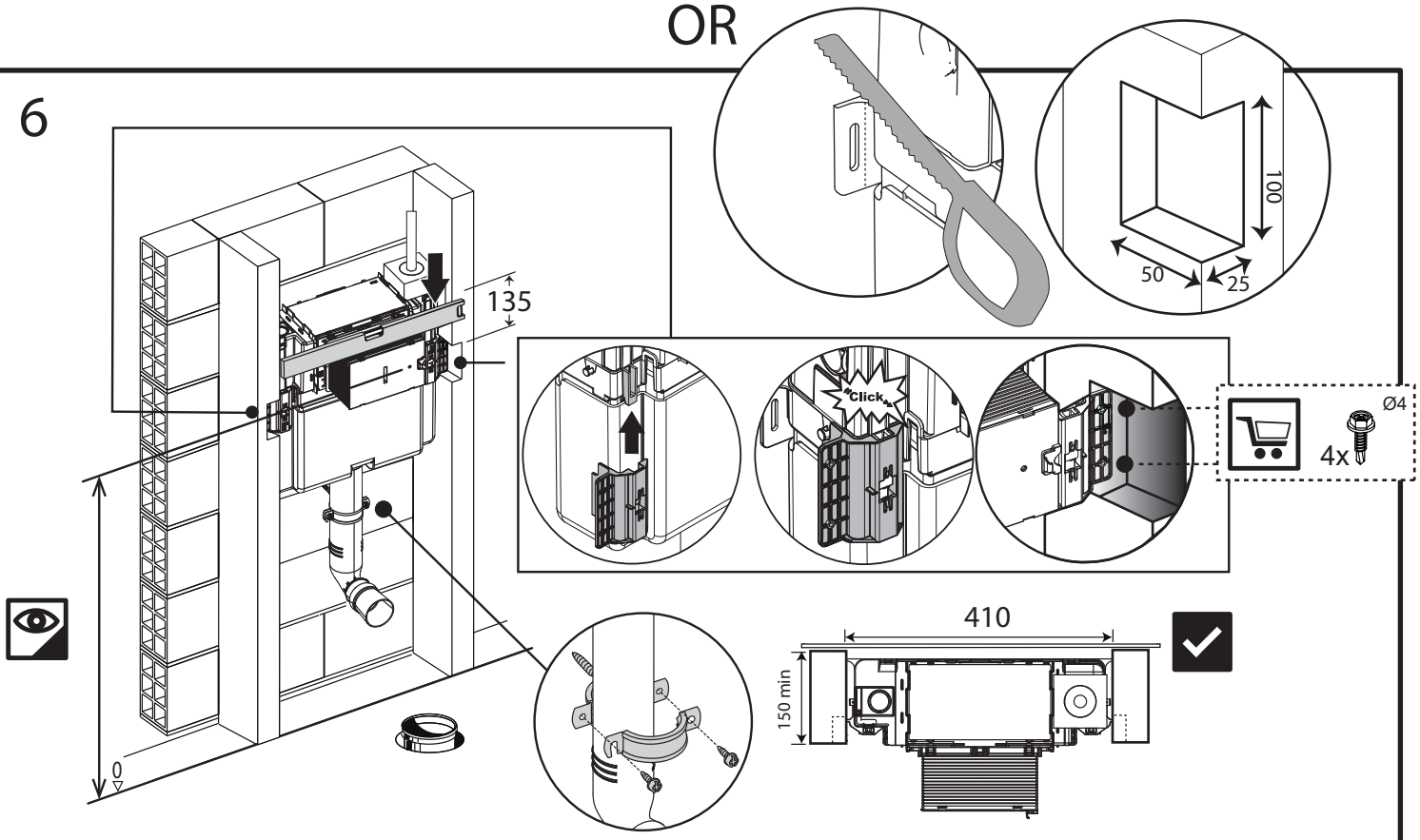


5

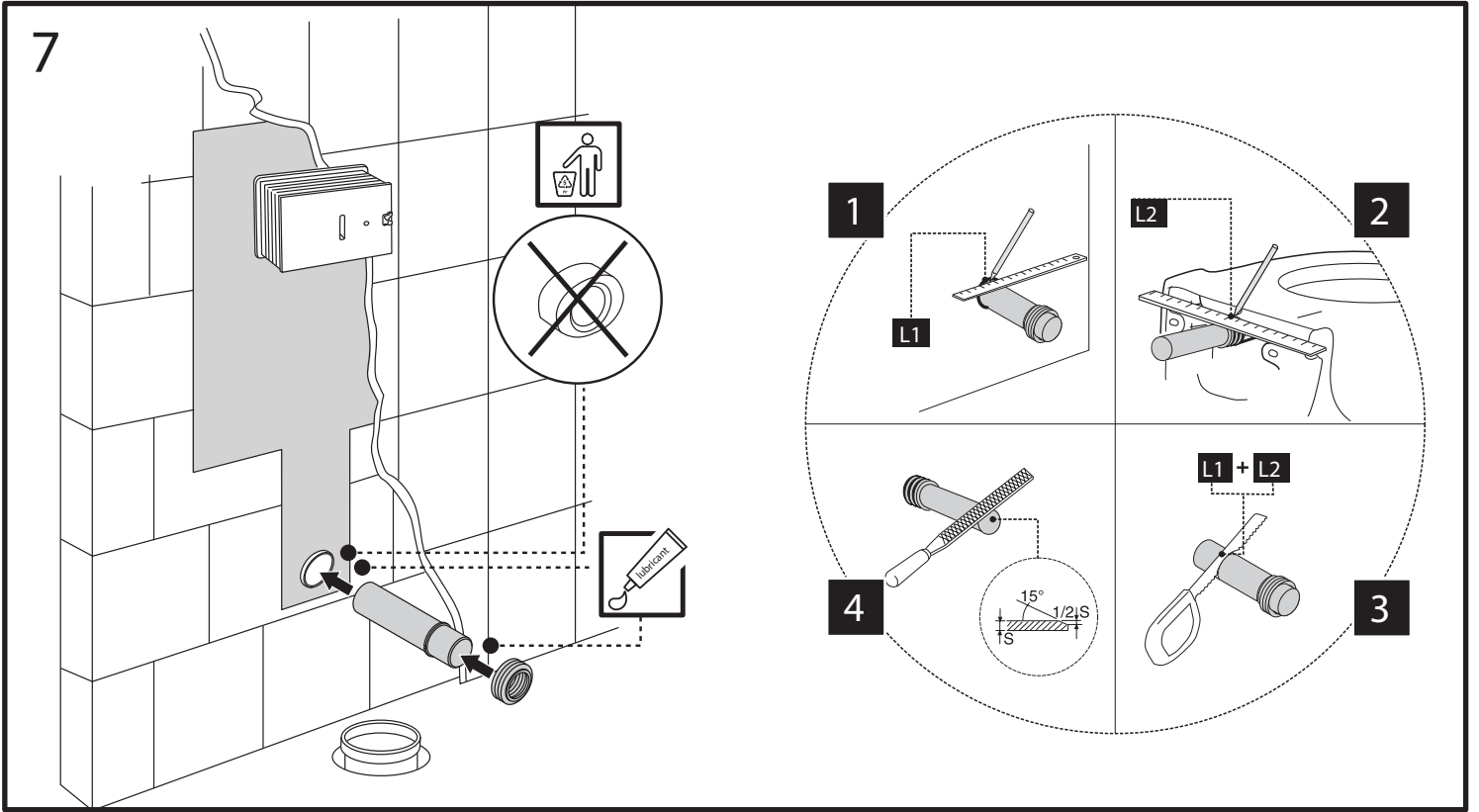


OR

6



7



1

L1

L2

2

4

L1 + L2

3

