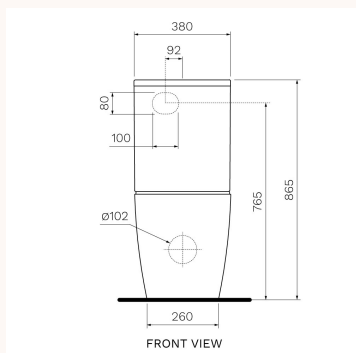
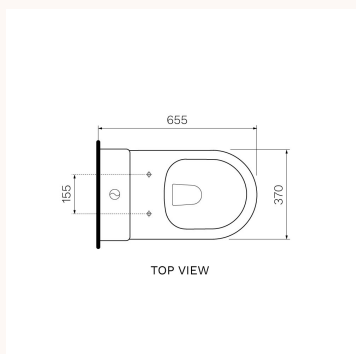
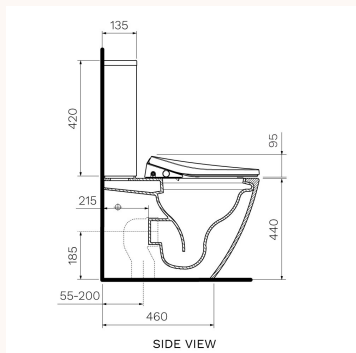




Ellisse II Ambulant Suite Rimless with Serena Bidet Seat (Side Inlet)

PN825

The Ellisse II Ambulant Suite is designed to meet the compliance requirements of AS1428.1-2009. The elevated height of the pan assists persons whose mobility is impaired. PARISI have combined this toilet with the Serena intelligent bidet seat which offers instant seat and water warming, a luxurious and adjustable cleansing shower spray, and a soft closing seat all in a low-profile and minimalistic style.



Product type	Toilets
Brand	PARISI
Collection	Ellisse II
Range	Design
Designers	PARISI Design Team
WxDxH	370mm x 655mm x 865mm
Colour / Finish	 Gloss White
Material	Ceramic
WELS	4 Star 4.5/3L
Trap options	Universal Trap (P or S Trap)
S Trap set out (mm)	55 - 200mm using PN0030 connector (included)
P Trap set out (mm)	185mm height FFL
Inlet Options	Back Inlet 765mm height FFL Bottom Inlet L&R
Seat	Electronic Bidet Seat
Average water flush (L/f)	3.2 Litres
Rimless	Yes

Warranty	10 Year Warranty
Availability	Stocked Item
Fixing Types	Floor
Features:	Electronic Bidet Seat - includes Front Wash, Rear Wash, Adjustable Water Temp, Adjustable Seat Heating Temp, Night Light, Soft Close Seat and Lid. Side Water Inlet. Easyclean Antibacterial protection.
Installation Instructions:	Side water inlet

PARISI



RIMLESS

