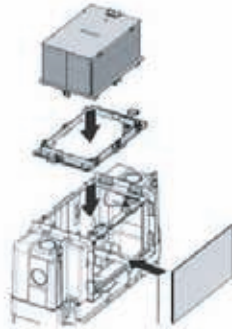




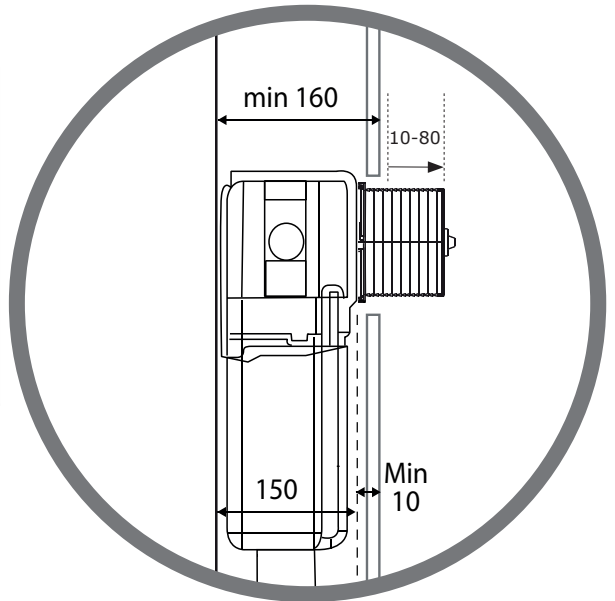
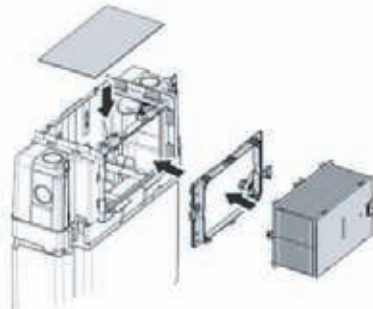
Top Access



Minimum of 160 mm from rear of cistern to front edge of finished wall surface

Min. projection of 10mm - Max. projection of 80mm of tile flange box required prior to trimming to accommodate

Front Access



Expert Evo

LOW LEVEL/
UNDER BENCH CISTERN

NOTE

See next page for compatible actuators

CODE

721 006
(if used with pneumatic actuators)

721 006/MC
(if used with mechanical actuators)

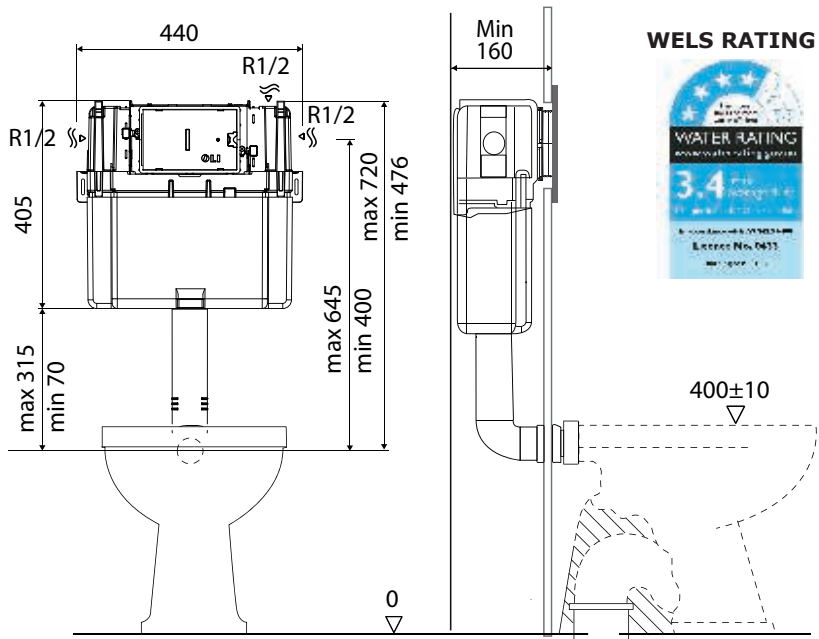
WEIGHT

4.5 kg

FEATURES

- Dual flush under bench cistern with 4.5/3 litre flush
- 150 mm thickness
- 4-Star WELS rating
- Top or front activation/access
- Supplied with anti-condensation lining
- Stop Cock included
- Brackets for in-wall fixing
- Dust/Tiling protection box
- Protection sponge provided for flush pipe
- 1/2" Flexible hose connection
- 10 Year Warranty
- Manufactured in Europe
- Pneumatic actuator kit included

Cavity & wall thickness to be a minimum of 10mm



WELS RATING



