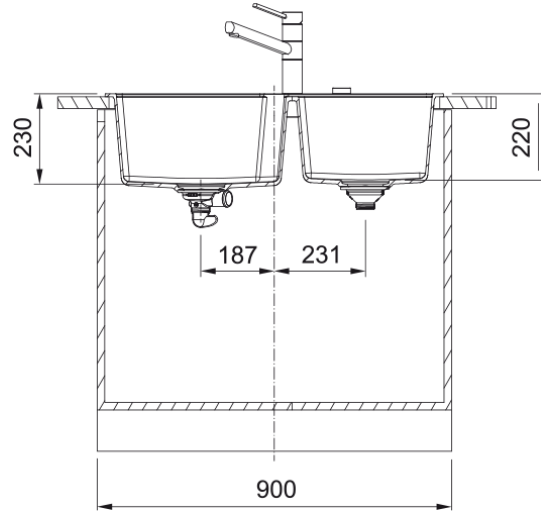


URBAN Onyx Double Bowl Sink UBG620-86ON | 114.0644.586



Aspect

| | |
|-----------------|-------------------|
| Sink type | Bowl (no drainer) |
| Material type | Granite |
| Number of bowls | 2 |
| Colour | Onyx |
| Finish | None |

Dimensions

| | |
|-----------------------------|-------|
| Overall length | 860.0 |
| Overall depth | 500.0 |
| Length | 432.0 |
| Depth | 425.0 |
| Height | 230.0 |
| Bowl 2: length | 341.0 |
| Bowl 2: Width | 364.0 |
| Bowl 2: height | 220.0 |
| Cutout inset: right to left | 824.0 |
| Cutout inset: front to back | 464.0 |

Installation

| | |
|--------------|-------|
| Cabinet size | 90 cm |
|--------------|-------|

Product features

| | |
|---------------------|------------|
| Installation type | Topmount |
| Waste outlet | 3 1/2" |
| Position of drainer | No drainer |

Product identification

| | |
|----------------|--------|
| Brand | FRANKE |
| Product family | Maris |
| Range | Urban |

Properties

| | |
|------------|------------|
| Drainer | No drainer |
| Reversible | No |

| | |
|---------------------|-----------------|
| Tap ledge | Yes |
| Waste kit | Yes |
| Waste kit type | Manual |
| Plumbing kit | No |
| Tap holes | 3 - pre drilled |
| Soap dispenser hole | No |

Technical Data