



## Oli 74

### IN-WALL CISTERN WITH FRAME

**CODE**

601 803  
(if used with mechanical actuators)

601 803/PN  
(if used with pneumatic actuators)

**WEIGHT**

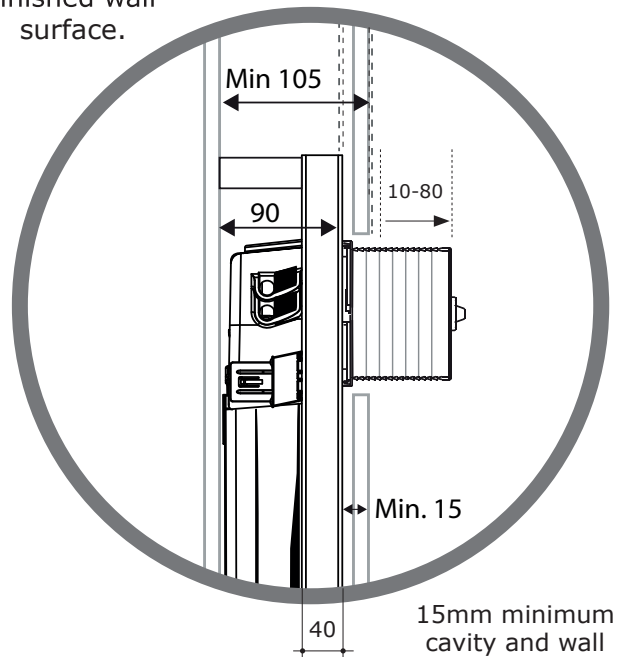
14 kgs

**FEATURES**

- Front access only
- Dual flush in-wall cistern with 4.5/3 litre flush
- Ultra compact inlet valve
- Painted tubular frame
- 90mm thickness
- Adjustable outlet bend
- Frame tested to 400 kg load
- Height adjustable from 0 to 150 mm
- Stop cock provided
- Brackets for pre-wall fixing
- Protection box supplied for tiling purposes
- 10 Year Warranty
- Manufactured in Europe
- Mechanical actuator kit included

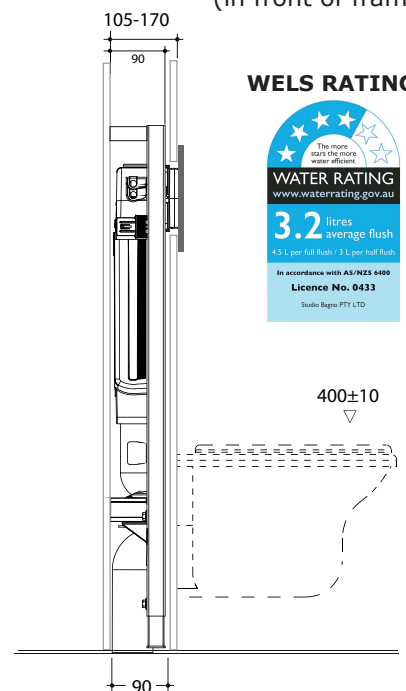
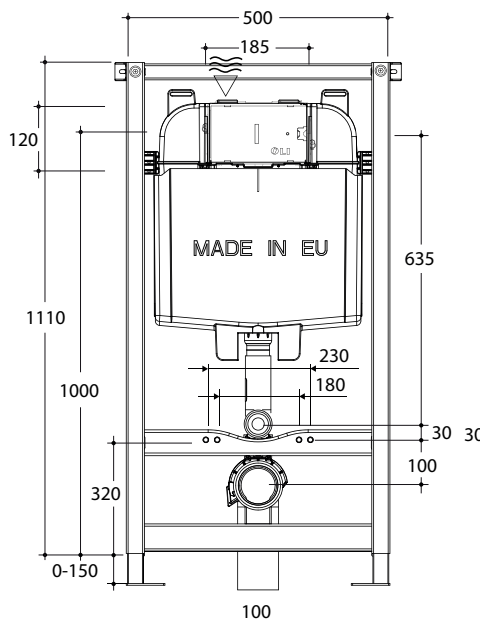
Min. 105 mm from rear of cistern to front edge of finished wall surface.

Min. projection of 10mm - Max. projection of 80mm of tile flange box required prior to trimming to accommodate actuator.



15mm minimum cavity and wall thickness (in front of frame).

**NOTE**  
See next page for compatible actuators



**WELS RATING**



# COMPATIBLE ACTUATORS

## Oli 74

IN-WALL CISTERN  
WITH FRAME

### Cistern Code by Actuator



**I-PLATE**

**INO-X 01**

**INO-X 02**

**INO-X 03**

**INO-X 04**

**INO-X 05**

**INO-X 06**

601 803

601 803

601 803

601 803

601 803

601 803

601 803



**SLIM**

**SALINA**

**TREND**

**TREND MINI**

**SPHERA +**

**SPHERA -**

**KARISMA**

601 603

601 603/PN

601 603/PN

601 603/PN

601 603/PN

601 603/PN

601 603/PN