

TROUBLESHOOTING

PROBLEM	CAUSE	SOLUTION
Cistern leaning forward after assembly to pan.	Outlet valve not centred and interfering with pan ceramic when assembled.	Remove cistern, loosen outlet valve and ensure it is centred with hole in bottom of ceramic cistern. Tighten and re-assemble.
	Rough or inclined floor.	Check finished floor is flat and horizontal.
Water leaking into bowl.	Leaking outlet valve caused by debris in bottom of cistern stopping valve properly closing after flush.	Turn off stop cock. Remove outlet valve and clear debris.
	Leaking outlet valve caused by incorrectly installed or faulty seal.	Replace seal.
	Leaking Inlet valve.	Clean inlet valve. Replace inlet valve.
Water leaking onto floor.	S or P-trap waste connector leaking.	Remove pan and re-install connector ensuring proper sealing of connector to ceramic outlet.
	Stop-cock or mini-tap leaking.	Tighten or replace stop-cock or mini-tap.
	Cistern bolts incorrectly installed.	Tighten cistern bolts.
	Donut seal incorrectly installed.	Remove cistern and replace ensuring donut seal is centred around outlet valve assembly nut.
Slow or noisy cistern refill.	Stop-cock or mini-tap not fully open.	Ensure top-cock or mini-tap fully open.
Loose seats.	Hinge pin bolts are loose.	Remove seat and tighten hinge pin bolts. (Refer seat installation guide)
Toilet seat or cover slamming closed.	Soft close hinges are faulty or damaged.	Replace soft close hinges- available as a spare part.

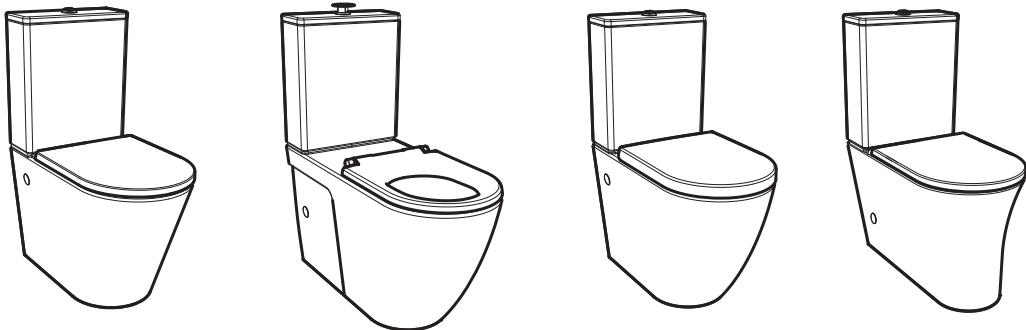
WARRANTY

Please refer to our website for full warranty terms and conditions:

<https://parisi.com.au/pages/warranty-information>

WALL FACED SUITE INSTALLATION INSTRUCTIONS

- PN600 ELLISSE
- PN700 SLIM
- PN730 L'HOTEL
- PN760 LINFA
- PN800 ELLISSE ACCESSIBLE
- PN820 ELLISSE AMBULANT
- PN900 ENVY III



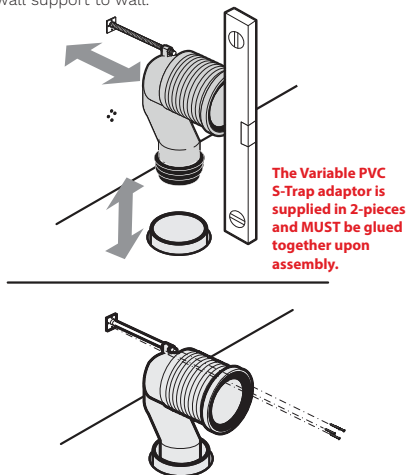
INSTALLATION

INSTALLATION AND TESTING TO BE UNDERTAKEN IN ACCORDANCE WITH RELEVANT PLUMBING STANDARDS. PLEASE CHECK THAT ALL PARTS ARE INCLUDED AND COMPONENTS ARE NOT DAMAGED. DO NOT INSTALL ANY DAMAGED COMPONENTS. CONTACT POINT OF PURCHASE FOR REPLACEMENT.

If S-Trap is required, measure and trim Variable PVC S-Trap Adaptor with wall support to correct length. (Refer Tech Spec sheet for set-out range)

Install waste pipe seal.

Fasten wall support to wall.

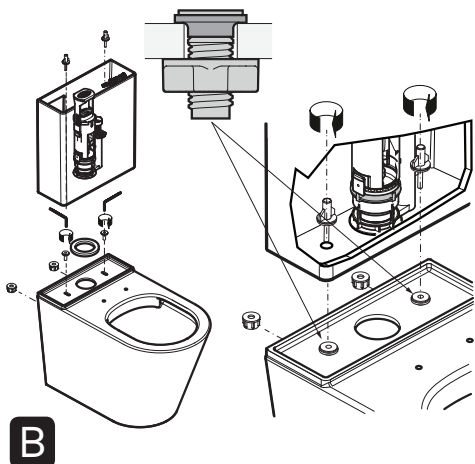


A

Remove backing tape from close coupling doughnut seal and attach to underside of cistern around nut.

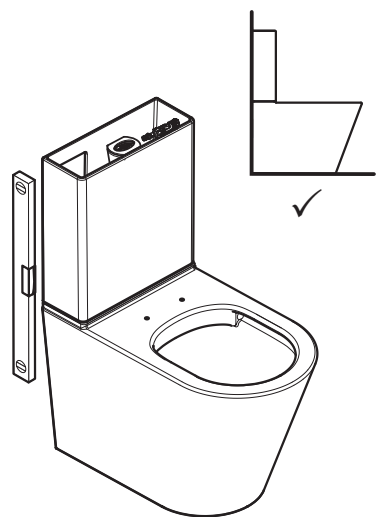
Install threaded plugs into pan using Allen Key.

Attach cistern to pan using cistern fixing kit ensuring rubber sealing washers are in place below fixing bolts.



B

Ensure cistern is flush with rear of pan.



C

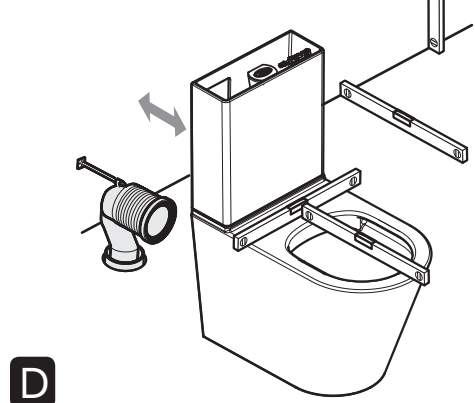
Check finished floor and wall are level.

For **Bottom Inlet installation**, proceed to Step E.

For **Back Inlet installation**, push pan onto connector.

Ensure pan is level and assemble to floor.

Proceed to Step F.



D

Bottom Inlet installation, attach mini stop tap to the wall outlet. Connect the flexi-hose to mini stop tap.

Open tap & **flush line into a bucket until water runs clean.**

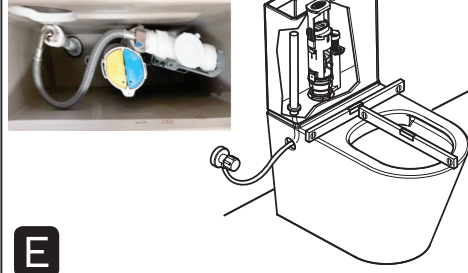
Feed hose into bottom inlet access hole on side of pan and attach to Inlet Extension.

Check for debris in bottom of cistern and clean if required. Push pan onto connector

Ensure pan is level and assemble to floor.

Proceed to Step H.

Recommended hose configuration for PN900



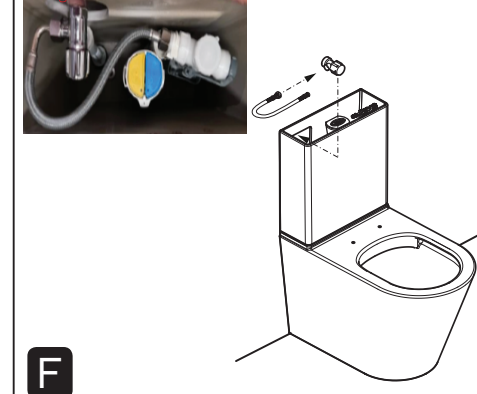
E

Back Inlet installation install the Mini Stop tap to wall outlet.

Ensure outlet of tap is pointing towards the left side of the cistern.

Check for debris in bottom of cistern and clean if required.

Recommended hose configuration for PN900



F

Connect Mini Stop Cock to braided stainless steel flexi-hose and **flush line into a bucket until water runs clean.**

Connect flexi-hose to inlet valve and open Mini Stop Cock allowing cistern to fill.

DO NOT submerge flexi-hose.



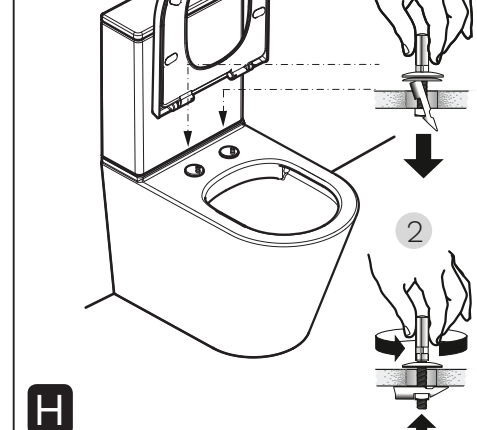
G

Install flush buttons onto cistern lid, and place onto cistern.

Install seat according to seat installation instructions.

Flush the toilet.

Check for leaks.



H