

VERSION 1: SHOWER FLOOR INSTALLATION FOR CONCRETE SLAB FLOOR

LOCAL BUILDING REGULATIONS AND STANDARDS MUST BE ADHERED TO.

When handling steel enamel shower floors, care must be taken that they are handled with care. This applies to their transport, unpacking and installation.

IN THIS DELIVERY:

KALDEWEI SHOWER FLOOR
SEALING STRIP or PVC TILE TRIM

THIS INSTALLATION REQUIRES:

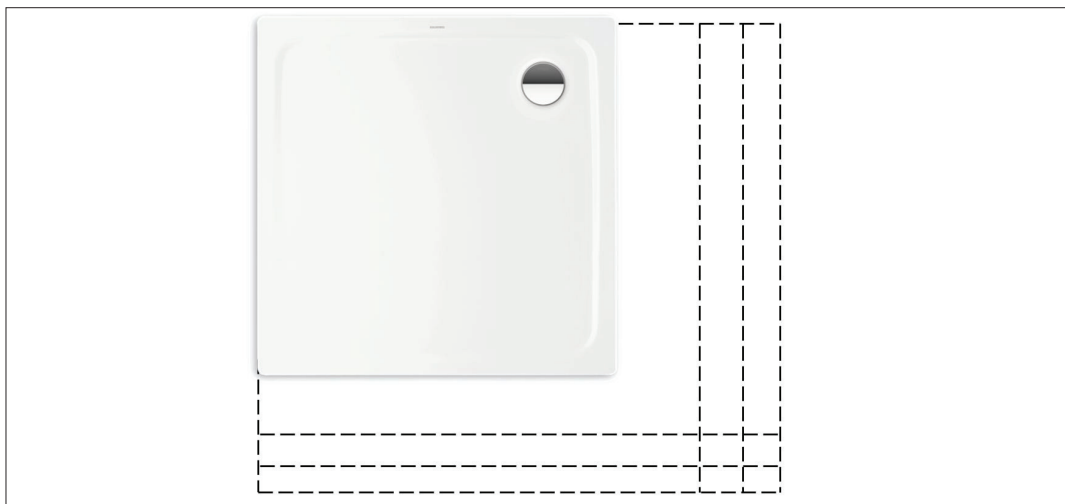
1. AUS approved Waste
2. Waste pipe for connection to drainage.
3. Either Mortar Slurry or Expandable Foam.

ALSO NEEDED FOR INSTALLATION:

SILICON
LEVEL
CLOTH
SHOWER FLOOR PROTECTION e.g. cardboard or plywood sheet.
TAPE MEASURE
CUTTER
PENCIL
SOFT MALLET
2 x 25KG WEIGHTS

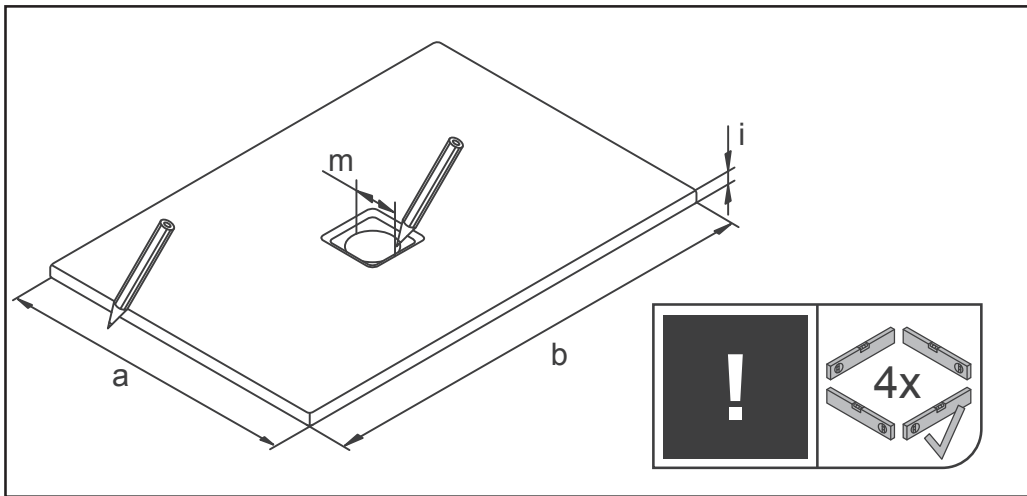
DESIGN STAGE

1. AT THE DESIGN STAGE, CHECK THE HEIGHT X LENGTH OF THIS SHOWER BASE ALONG WITH THE SIZE AND POSITION OF THE WASTE.

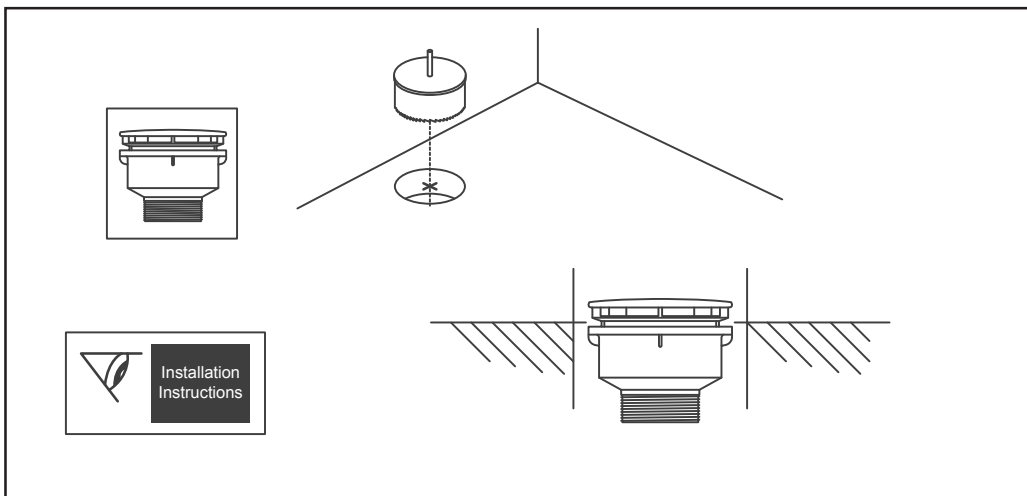


SET-OUT STAGE

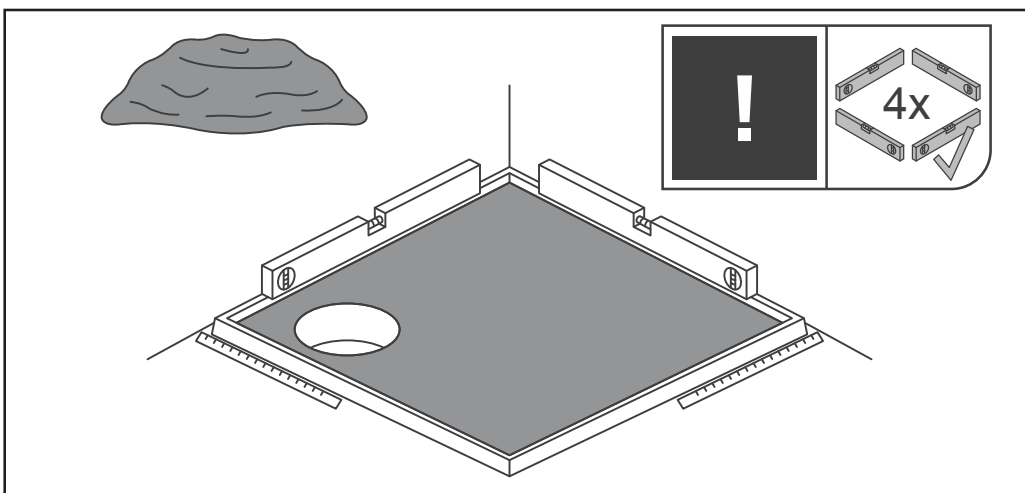
2. MEASURE OUT THE FLOOR AREA AND DETERMINE THE WASTE POSITION.



3. PREPARE THE PLUMBING FOR THE SHOWER BASE WASTE PIPE.



4. PREPARE THE BASE USING EITHER MORTAR SLURRY OR EXPANDABLE FOAM. ENSURE AREA IS LEVEL.

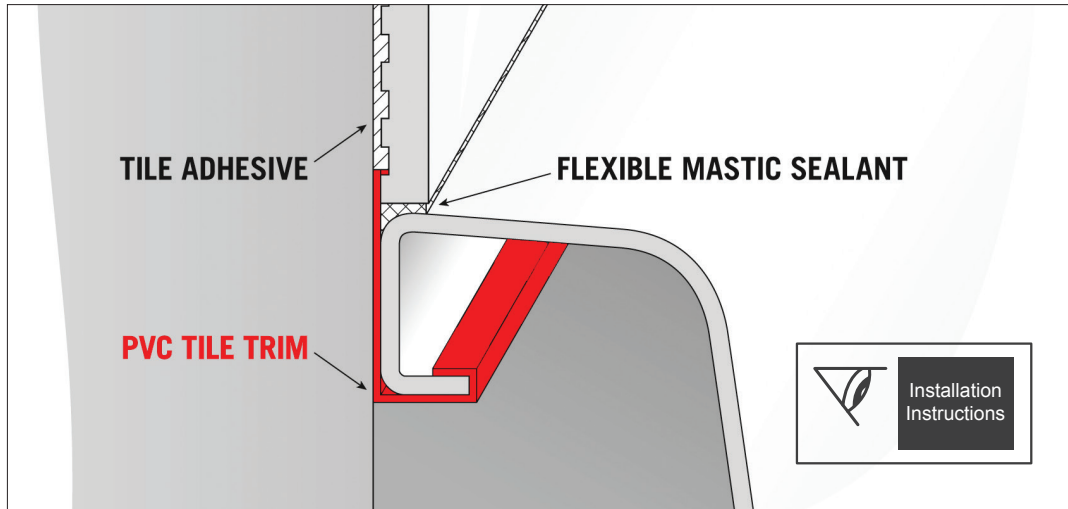


INSTALLATION

5. USING INSTALLATION INSTRUCTIONS, PREPARE THE SEALING STRIP OR PVC TILE TRIM AROUND THE CIRCUMFERENCE OF THE SHOWER TRAY ALONG THE WALL.

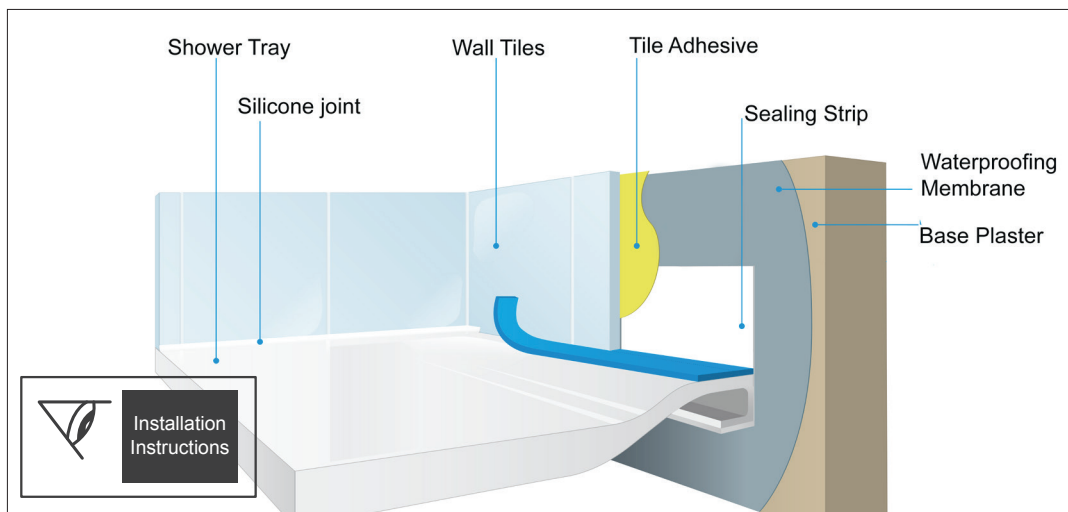
EITHER,

5a. PVC TILE TRIM - REFER TO SEPARATE INSTALLATION INSTRUCTIONS.

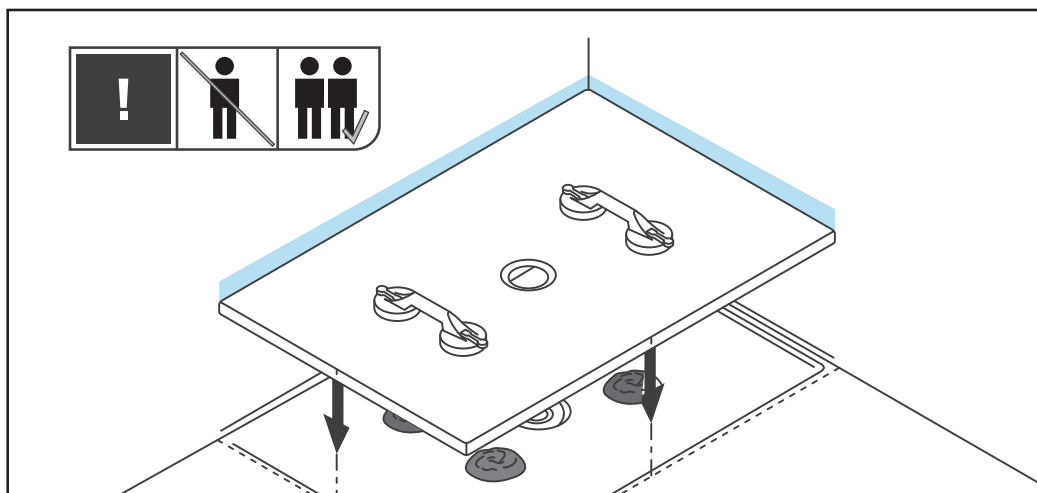


OR,

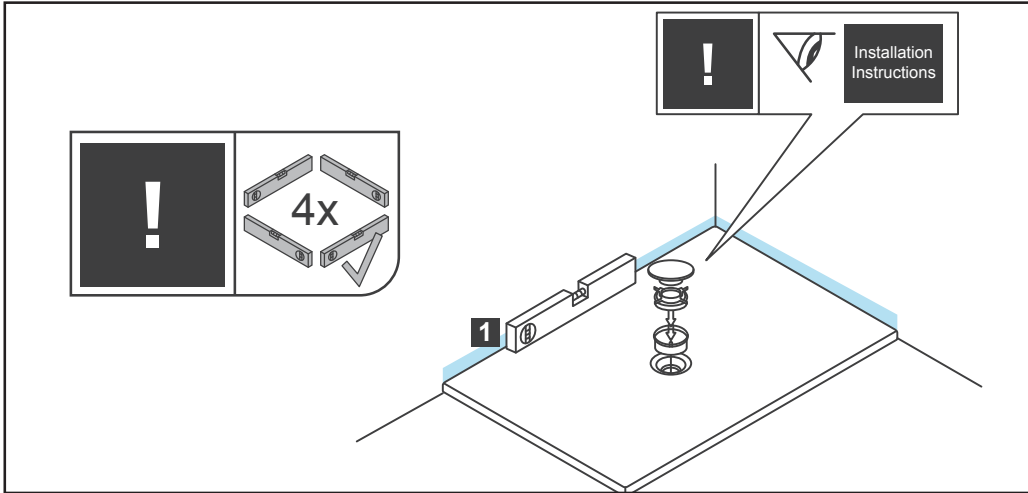
5B. SEALING STRIP - REFER TO SEPARATE INSTALLATION INSTRUCTIONS.



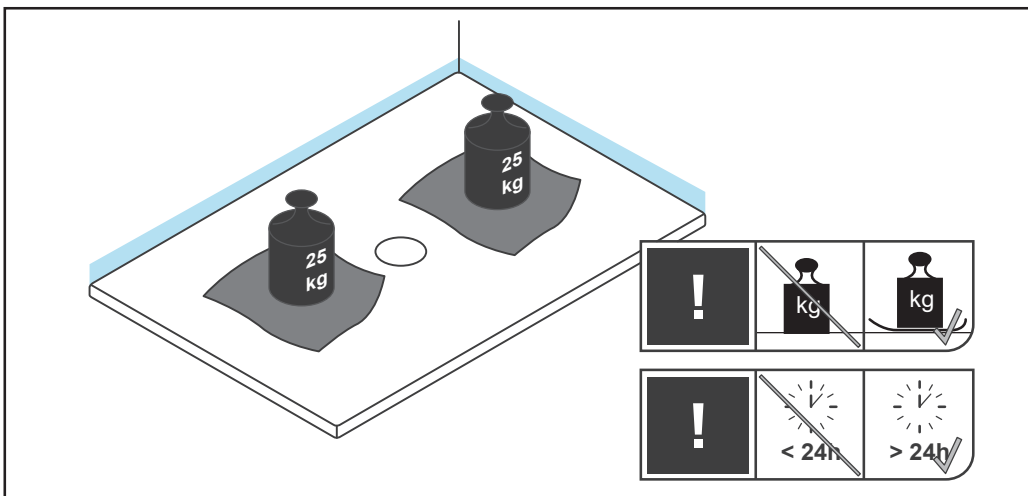
6. POSITION THE SHOWER TRAY USING MORTAR SLURRY OR EXPANDING FOAM.



7. ENSURE SHOWER TRAY IS LEVEL. INSTALL WASTE OUTLET TO MANUFACTURERS INSTRUCTIONS.



8. WEIGHT DOWN THE SHOWER TRAY WITH 50KG WEIGHT AND LEAVE FOR 24 HOURS.

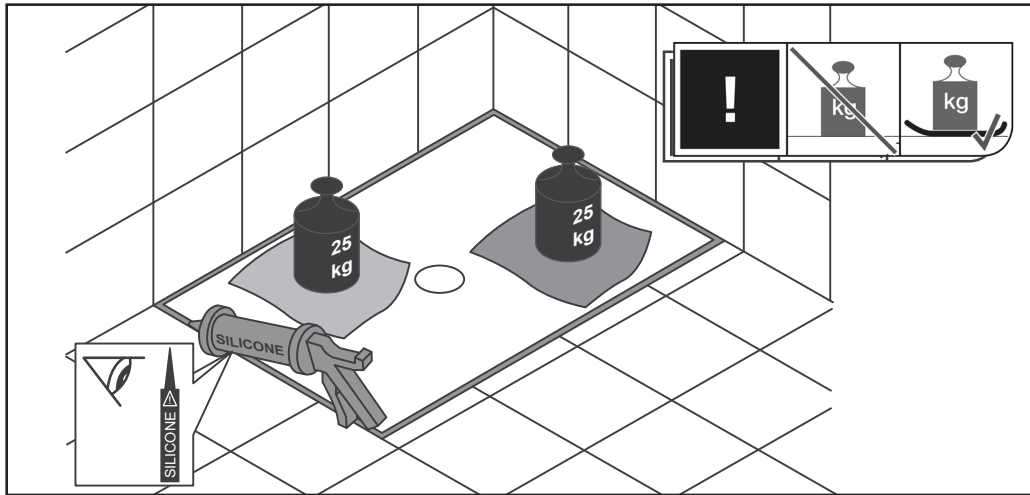


9. PUT A PROTECTIVE COVERING ON THE SHOWER FLOOR BEFORE TILING OR OTHER BATHROOM INSTALLATION COMMENCES.



AFTER TILING

10. AFTER TILING, SILICON ALL OF THE EDGES OF THE SHOWER TRAY.



11. WHEN DRY, PUT THE PROTECTIVE COVERING BACK ON THE SHOWER FLOOR UNTIL CONSTRUCTION COMPLETION.

CONTACT: BATHE SERVICE

Email: service@bathe.net.au

Fax: 02 9518 0163

Phone: 1300 133 320

www.bathe.net.au