

#### LE MUSE CLOSE COUPLED TOILET



## Features

- Modern styling exclusively for Le Muse design suite
- Dual Flush System
- WATER SAVING

## Specifications

|                 |                            |
|-----------------|----------------------------|
| Flush system:   | Wash Down                  |
| Water Use:      | 4.5L / 3L                  |
| Rough-in:       | S-trap/P-trap (Selectable) |
| Bowl Shape:     | Elongated                  |
| Water Pressure: | 0.05MPa~0.75MPa            |
| Size:           | 380Wx700Dx845H mm          |

## Parts description

Seat & Cover is **not included**.  
Stop Valve & Flexible Hose is **not included**.

- **CW811NPJT1WS**  
Elongated Closet Bowl
- **SW811NJPT2/811-8P**  
Tank & Lid w/ Tank Trim

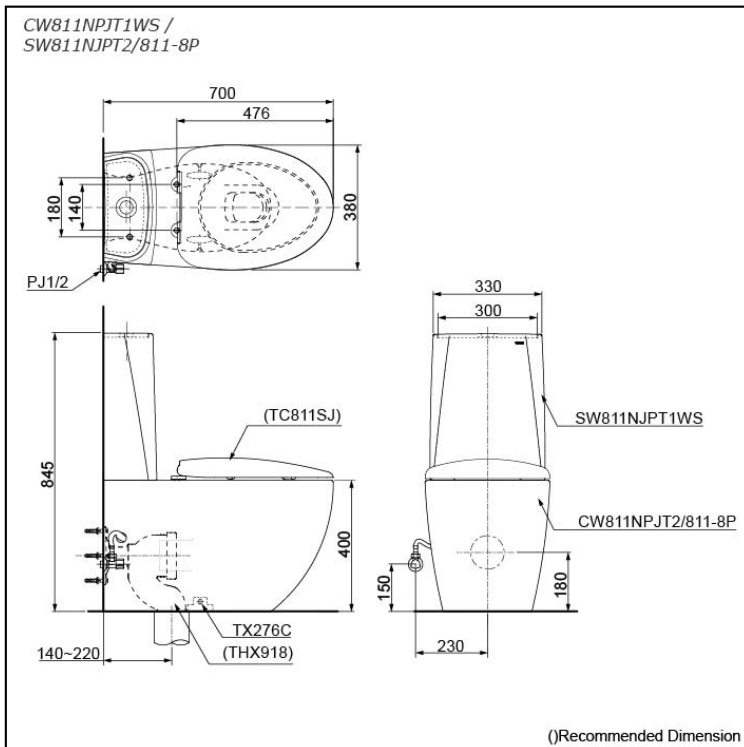
### Optional Parts

- TC811SJ  
Soft Close Seat & Cover (Urea Resin)
- THX918 (S-Trap)  
S-Connector (Rough-in 140~220)

## Colors

White

## Certifications



## WASHLET S7



## Features

- EWATER+ spreads out and keeps clean toilet bowl and nozzle by preventing bacterial with sanitizing effect
- Auto lid opening and closing
- Maximized comfort function with new wide front and pulsating cleansing
- Fully equipped with comfortable rear, front and oscillating cleansing functions
- Build-in with Motion Sensor - Microwave technology
- Infrared Sensor for remote control capabilities
- Adjustable WARM AIR DRYING
- HEATED SEAT with temperature control
- Auto powerful DEODORIZER activates after every usage

EWATER+ is made from tap water by electrolyzed chloride ion without any chemicals. After use, it returns to normal water in the state of safe and environmental friendly

## Specifications

|                       |                              |
|-----------------------|------------------------------|
| Bowl Shape:           | Elongated                    |
| Water Pressure:       | 0.05Mpa~0.75Mpa              |
| Power Rating:         | 220~240V , 50/60Hz, 830~839W |
| Length of Power Cord: | 1.2 m                        |
| Material:             | Plastic                      |
| Size:                 | 383W x 532D x 125H mm        |

## Parts description

- TCF4911AT WASHLET Elongated

## Colors

White #NW1

## Certifications

