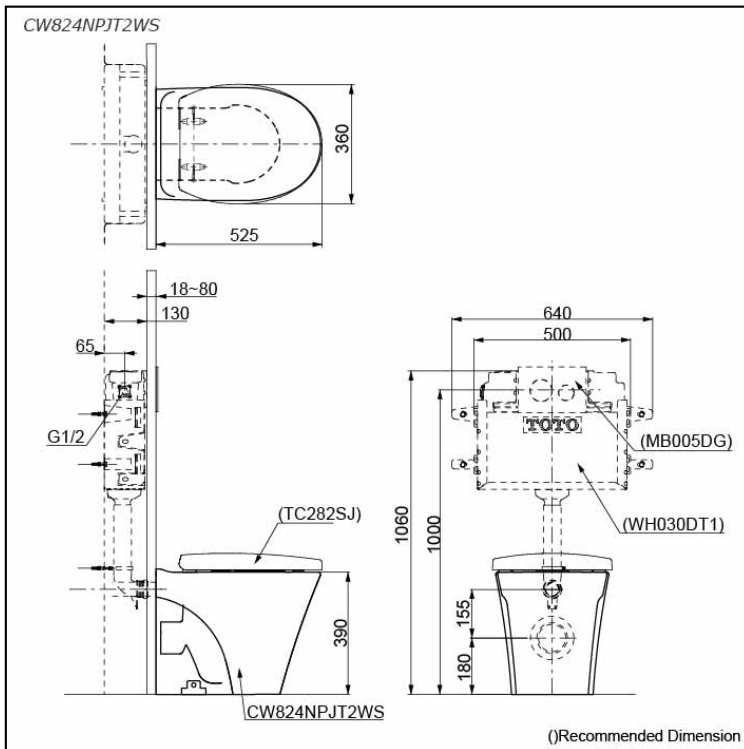


AVANTE WALL FACED TOILET



Features

- Unique sculpted design, Wall Faced Toilet
- Dual flush system
- Skirted styling with concealed trapway for easy cleaning
- The Avante suite:
Matching toilets, lavatories and bidets

Specifications

Flush system:	Wash Down
Water Use:	4.5L / 3L
Rough-in:	H=180 mm (P-Trap)
Bowl Shape:	Round
Water Pressure:	0.05MPa~0.75MPa
Size:	360W x 525D x 390H mm

Parts description

Seat & Cover is **not included**.

- **CW824NPJT2WS**
Round Wall Faced Toilet (P-Trap)
(Rough-in 180)

Optional Parts

- TC282SJ
Seat & Cover
- WH030DT1
Concealed Cistern w/o Frame
- MB005DG
Flush Panel

Colors

White

Certifications



WASHLET C5



Features

- EWATER+ spreads out and keeps the nozzle clean by preventing bacteria with sanitizing effect
- PREMIST water is sprayed inside the toilet bowl to make it difficult for dirt to adhere
- Maximized comfort function with new wide front and pulsating cleansing
- Fully equipped with comfortable rear, front and oscillating cleansing functions
- Adjustable WARM AIR DRYING
- HEATED SEAT with temperature control
- Auto powerful DEODORIZER activates after every usage

EWATER+ is made from tap water by electrolyzed chloride ion without any chemicals. After use, it returns to normal water in the state of safe and environmental friendly

Specifications

Bowl Shape:	Round
Water Pressure:	0.07Mpa~0.75Mpa
Power Rating:	220~240V , 50/60Hz, 312~368W
Length of Power Cord:	1.2 m
Material:	Plastic
Size:	383W x 483D x 147H mm

Parts description

- TCF24400AAU
WASHLET
Round

Colors

White #NW1

Certifications

