

# TECHNICAL DATASHEET

## URBAN GRANITE UBG 6 10-78 ONYX

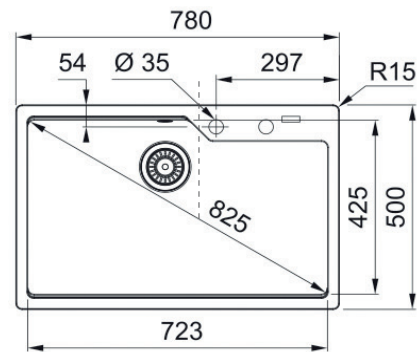
Product Category	Sinks
Finish	Fragranite Onyx Black
Installation	Topmount/Flushmount
Range	Urban Granite
Model	UBG 610-78 ONYX
Warranty	50 Years



**NOTE:** Flushmount installation requires the minimum benchtop thickness to be 21mm

### PRODUCT INFORMATION

Dimensions	780 x 500mm
Cabinet Base	800mm
Bowl Size	723 x 425 x 230mm/28L
Bowl Radius	15mm
Cut-Out Size	744 x 464mm, cr=15
Cut-Out Template	No
Waste Outlet	Semi Integrated Waste
Overflow	Yes
Tap Holes	Yes
Remote Waste	No
Accessories	<b>1</b> <b>2</b>



**1** ACCESSORIES AVAILABLE    **1** ACCESSORIES INCLUDED

### ACCESSORIES

**1**



Extension Drainer

**2**



Strainer Bowl

### FEATURES & BENEFITS



Food Preparation Centre



Franke Granite



Waste to Rear of Main Bowl



Sound Deadening Pads



LAST UPDATED: 7 JUN 2019