

Kitchen Mixer without Pull-Out



 Installation instructions



	9240W0 LC	Avia
	9251W0 LE	Como
	9253W0 LC	Umbrella
	9253W0 LE	
	9265W0 LC	Steel Expert
	9668W1LC	Modern Steel

Notes prior to installation

1. Inspect all parts prior to installation for suitability and/ or defects.
2. Any suspected defect should be reported as soon as possible.
3. Should any product be installed despite a fault having been found and reported, argent will not accept liability for the cost of labour to remove and install any replacement product/s.

Notes for installation

1. Please ensure pipework is clear of debris by flushing lines prior to installation.
2. We recommend hot and cold water isolation stops are used - not included in supply.
3. Mixers that feature pull out hoses are fitted with non-return valves for backflow prevention.



Pressure and temperature requirements

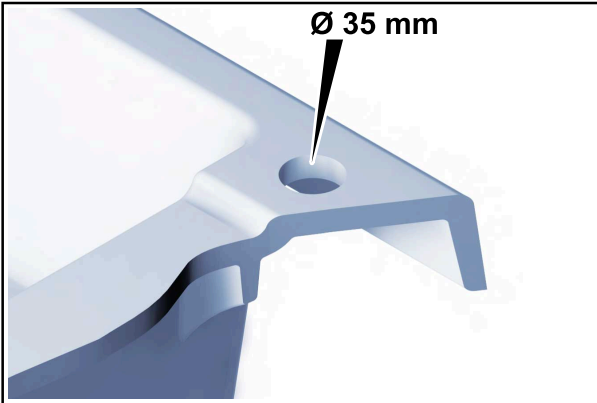
1. Inlet pressure range 100 - 500 kPa.
2. Maximum hot water temperature 60 °C.
3. AS/NZS 3500 requires 500 kPa maximum operating pressure at any outlet within a building.
4. Hot & Cold inlets should have equalised water pressures.

Notes to the installer

- Twisting or stretching the flexible hoses during installation may result in failure, and will void the warranty.
- Avoid severe bends in the flexible hoses as this may result in failure and will void the warranty.

Cleaning and maintenance

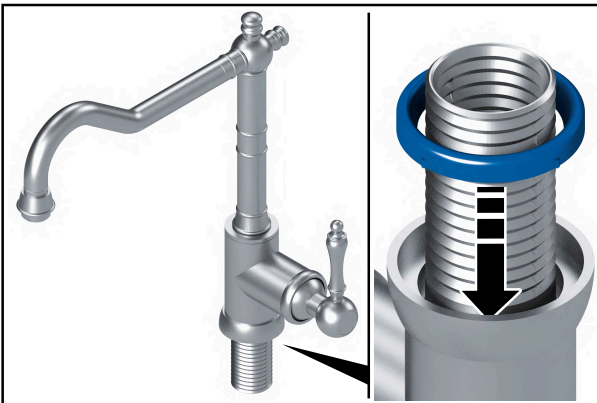
- The special stainless steel surface only requires cleaning with mild household detergent and dry with a clean cotton cloth to retain its lustrous shine.
- Avoid cleaning with abrasive materials or cleaners.



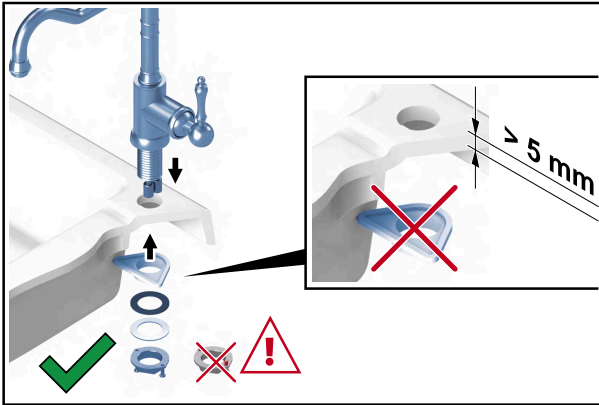
Where the mixer is going into a stone or laminate top, cut a Ø 35 mm hole.



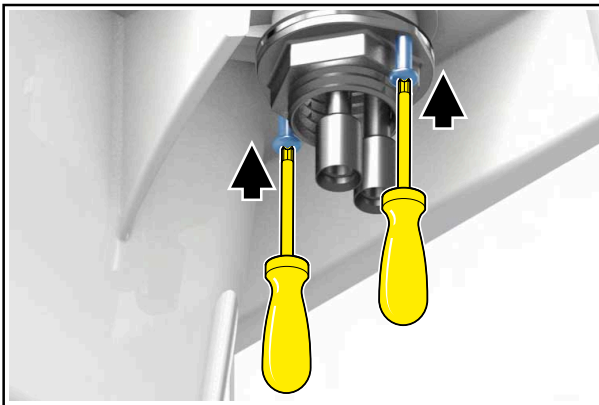
Remove the fixation kit off the mixer.



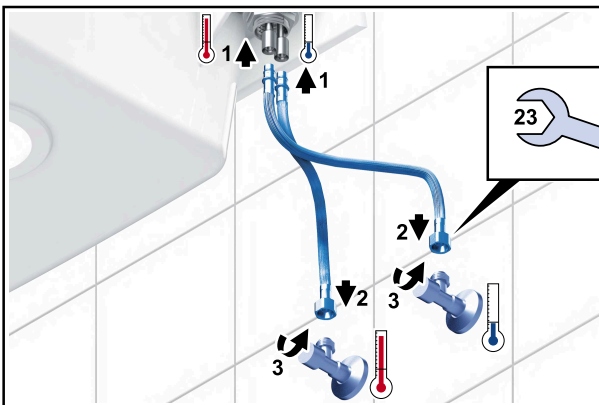
Place the mixer in the sink ensuring, that the rubber ring is placed between tap body and sink.



Fit the rubber gasket, holder and fixing plate assembly into position under the sink/bench top, holder not required for solid bench tops.



Tighten the nut assembly and then tension the screws.



Assemble the flexible hoses for hot and cold water supply to the connection pipes with red and blue marking.

Then connect the hoses to their respective water supplies. Open the stop valves (not included in supply), flush the lines, then close the mixer lever and check there are no leakages.

