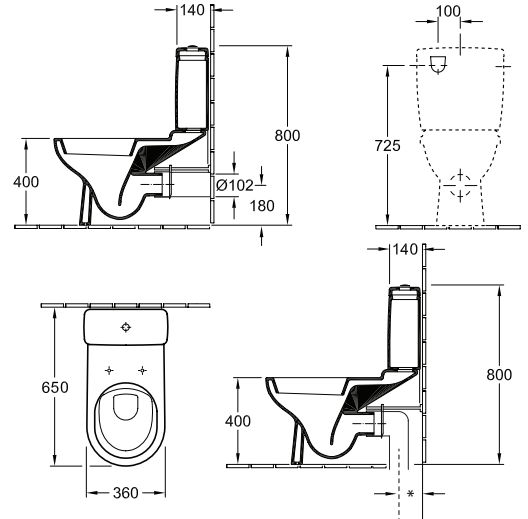




O.NOVO BTW TOILET

Product Image	Technical Specification
---------------	-------------------------



Water Entry:	Rear water entry requires ½" BSP male thread extending 10mm past the finished wall
---------------------	--

*S-Trap Set-out options	Distance from finished wall to centre of soil pipe	Vario Bend required	Installation Notes
Recommended	140mm	50015P	Supplied standard with S-trap Suites
Standard Adjustment Range	70-160mm	50015P	Supplied standard with S-trap Suites
With extension bend	160-250mm	B8080	Order separately with P-Trap Suite

Flushing Options:	4.5/3L toilets can be easily converted to 6/3L on-site where it is approved to do so; one-click conversion instructions are included inside the cistern
--------------------------	---

Description

O.novo BTW Toilet

- 56581001S4B** P-Trap
- 565810R1S4B** P-Trap | CeramicPlus
- 56580101S4DB** S-Trap
- 565801R1S4DB** S-Trap | CeramicPlus

OPTION:
8L189968 White Cistern Button

Additional Information

