


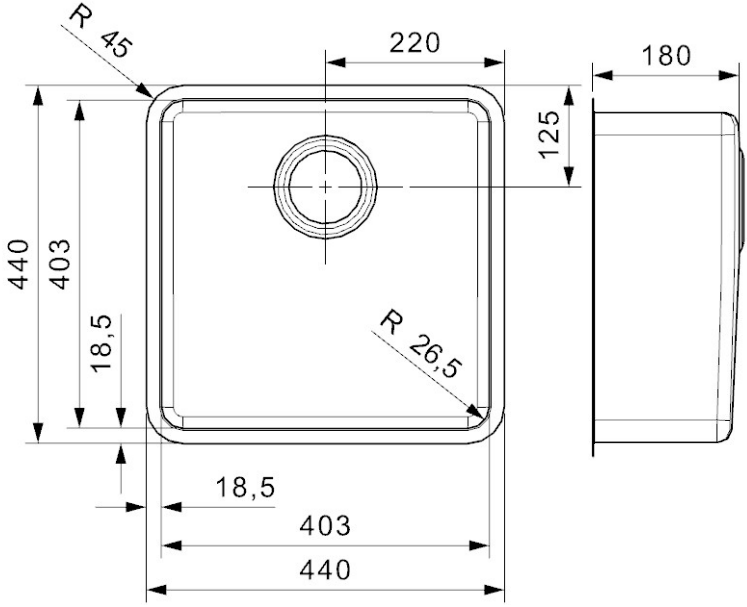






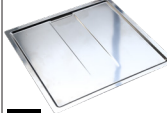
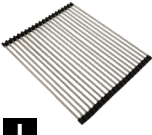
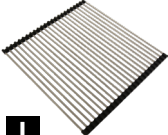





# ROYAL MAIN BOWL

Product Image			Technical Specification			
<p>Midnight Sky</p>  <p>Arctic White</p>  <p>Sahara Sand</p> 						
<p><b>R1661</b></p>  <p><b>A</b></p>	<p><b>R1663</b></p>  <p><b>B</b></p>	<p><b>S1230</b></p>  <p><b>C</b></p>				
<p><b>DR202</b></p>  <p><b>D</b></p>	<p><b>R22146</b></p>  <p><b>E</b></p>	<p><b>AW100</b></p>  <p><b>F</b></p>	<p><b>R1055</b></p>  <p><b>G</b></p>	<p><b>RM108</b></p>  <p><b>H</b></p>	<p><b>RM208</b></p>  <p><b>I</b></p>	<p><b>WS100</b></p>  <p><b>J</b></p>

Description	
ROYAL MAIN BOWL	
<b>R27066</b> <b>R27066FDTB</b>	Midnight Sky Midnight Sky includes <b>C D F</b>
<b>R27073</b> <b>R27073FDTB</b>	Arctic White* Arctic White* includes <b>C D F</b>
<b>R27080</b>	Sahara Sand*
* Lead Times Apply on Arctic White & Sahara Sand	

Additional Information
<ul style="list-style-type: none"> <li>• Design Overflow</li> <li>• Round Basket Waste</li> <li>• 304 Stainless Steel with Regi Colour</li> <li>• Top Mount, Under Mount Installation</li> <li>• 29 Litre Capacity</li> <li>• Suit 500 Carcass or Larger</li> </ul>
<p><b>INSTALLATION DISCLAIMER</b> ALL TEMPLATES, LINE DRAWINGS &amp; ELECTRONIC FILES ARE SUPPLIED AS A GUIDE ONLY. PLEASE CROSS CHECK WITH ACTUAL BOWL BEFORE COMMENCING ANY CUTOUT AND ENSURE RADII ARE SUITABLE TO BENCHTOP MATERIAL TOLERANCES. ARGENT ACCEPTS NO RESPONSIBILITY FOR CUTOUT ERRORS. *SINKS WITH OVERFLOWS WILL NEED ALLOWANCE IN BENCHTOPS WHEN TOP MOUNTING - PLEASE CROSS CHECK WITH ACTUAL BOWL TO ASSIST*</p>

