

AXOR Starck
Single lever bath mixer for concealed installation
Surfaces: **Chrome** Article Number: **10416003**



Description

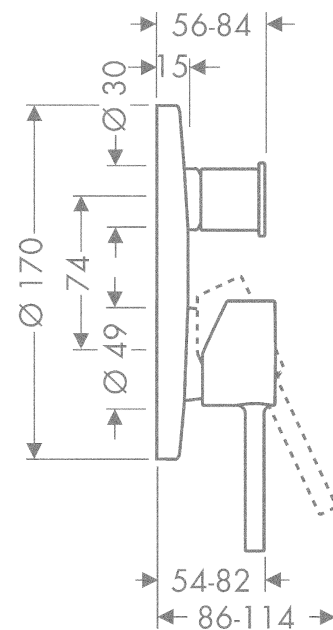
product features

- connection type: basic set
- flow rate at 3 bar: 26 l/min
- ceramic cartridge
- temperature limitation adjustable
- with automatic resetting
- suitable for continuous flow water heaters

Product image



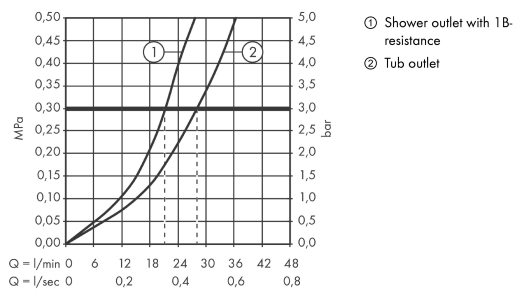
Scale drawing



AXOR Starck
Single lever bath mixer for concealed installation
 Surfaces: **Chrome** Article Number: **10416003**



Flowchart

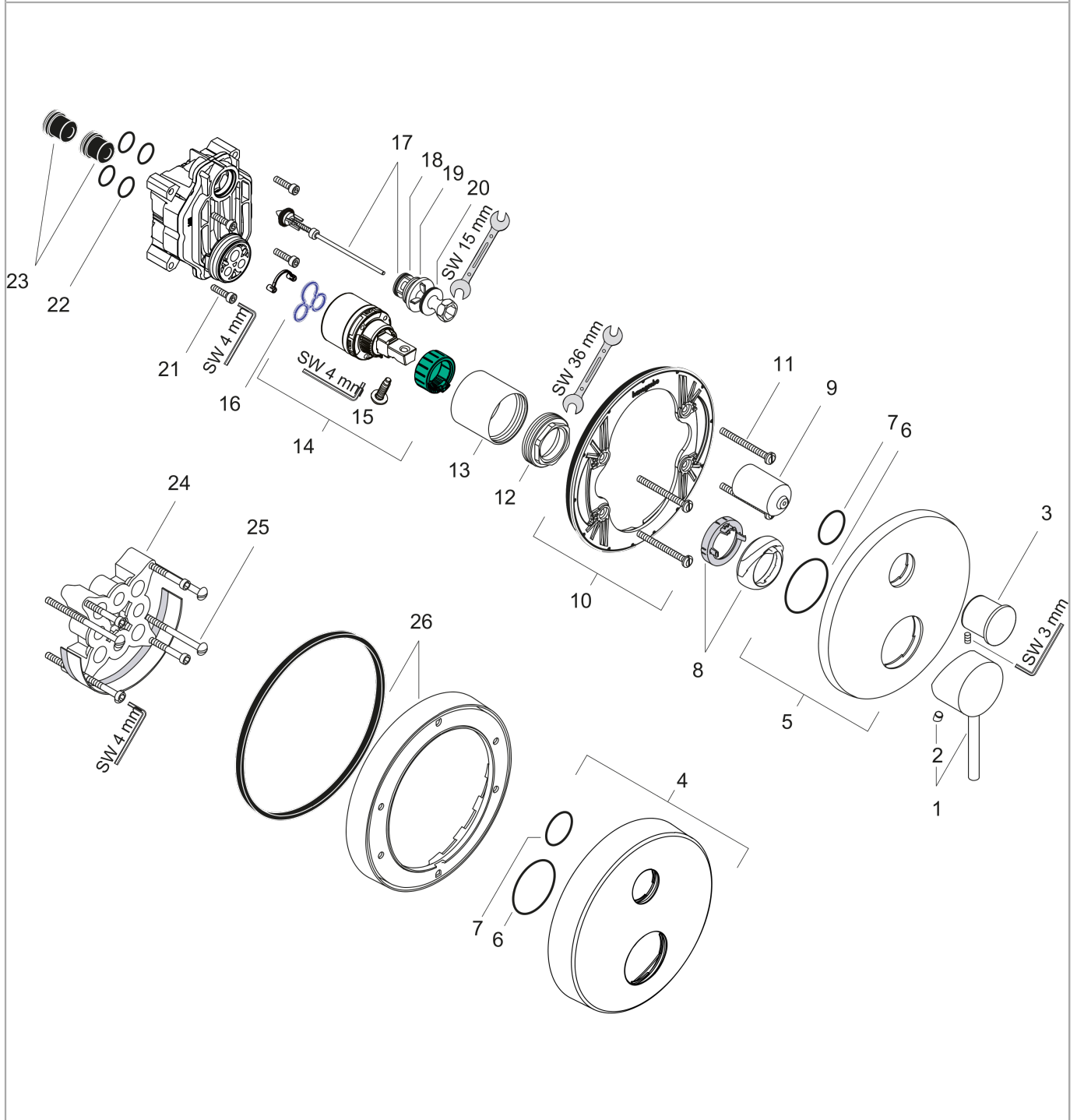


AXOR Starck
Single lever bath mixer for concealed installation
 Surfaces: **Chrome** Article Number: **10416003**



Exploded Drawing

Year of production: >01/19



AXOR Starck
Single lever bath mixer for concealed installation
 Surfaces: **Chrome** Article Number: **10416003**



Spare part list

Year of production: >01/19

Pos.	Description	Article Number	PC	PU
1	handle	10490000	0	1
2	screw cover	96338000	0	1
3	diverter knob cpl.	94045000	0	1
4	escutcheon height = 33 mm (when wall is not deep enough).	14961000	0	1
5	escutcheon Ø 170 mm	95806000	0	1
6	O-Ring 48x3	95508000	0	1
7	O-ring 29x3	98371000	0	1
8	flange (Rotating Protector)	96395000	0	1
9	sleeve	96448000	0	1
10	sub plate	96447000	0	1
11	set of fixing screws	96454000	0	1
12	nut	96461000	0	1
13	sleeve	95980000	0	1
14	cartridge, assy	92730000	0	1
15	locking screw for handle	95140000	0	1
16	seal	95008000	0	1
17	selector assy	95014000	0	1
18	O-ring 16x2,3	98207000	0	1
19	O-ring 20x2,5	92602000	0	1
20	O-ring 21x2	98205000	0	1
21	set of screws	96525000	0	1
22	O-ring 16x2	98133000	0	1
23	noise reduction	94073000	0	1
24	extension 25 mm	13595000	0	1
25	set of fixing screws	97747000	0	1
26	extension 22 mm (Ø 170 mm)	13596000	0	1
a	concealed item	01800180	0	1