

AXOR LampShower/Nendo
Axor 1-Jet LampShower Trim designed by Nendo, Wall-Mounted
Surfaces: **Chrome** Article Number: **26031001**



Description

product features

- for wall mounting
- shower head size: 275 mm
- shower arm length: 380 mm
- pivoting shower arm by 150°
- overhead shower angle adjustable
- spray type: Rain
- maximum flow rate at 0.3 MPa: 9.5 l/min
- flow rate Rain spray (at 0.3 MPa): 9.5 l/min
- fully finished matching spray face
- material spray disc: metal
- spray disc removable for cleaning
- installation: wall
- connection thread G ½ NPT
- connection dimension: DN15
- with integrated lighting
- illuminant: 12 Volt DC 5 Watt IPX5 2700K
- input voltage: 100 - 240 V AC / 50 / 60 Hz
- output voltage: 12 Volt DC / 12 Watt SELV

Technology



Product image

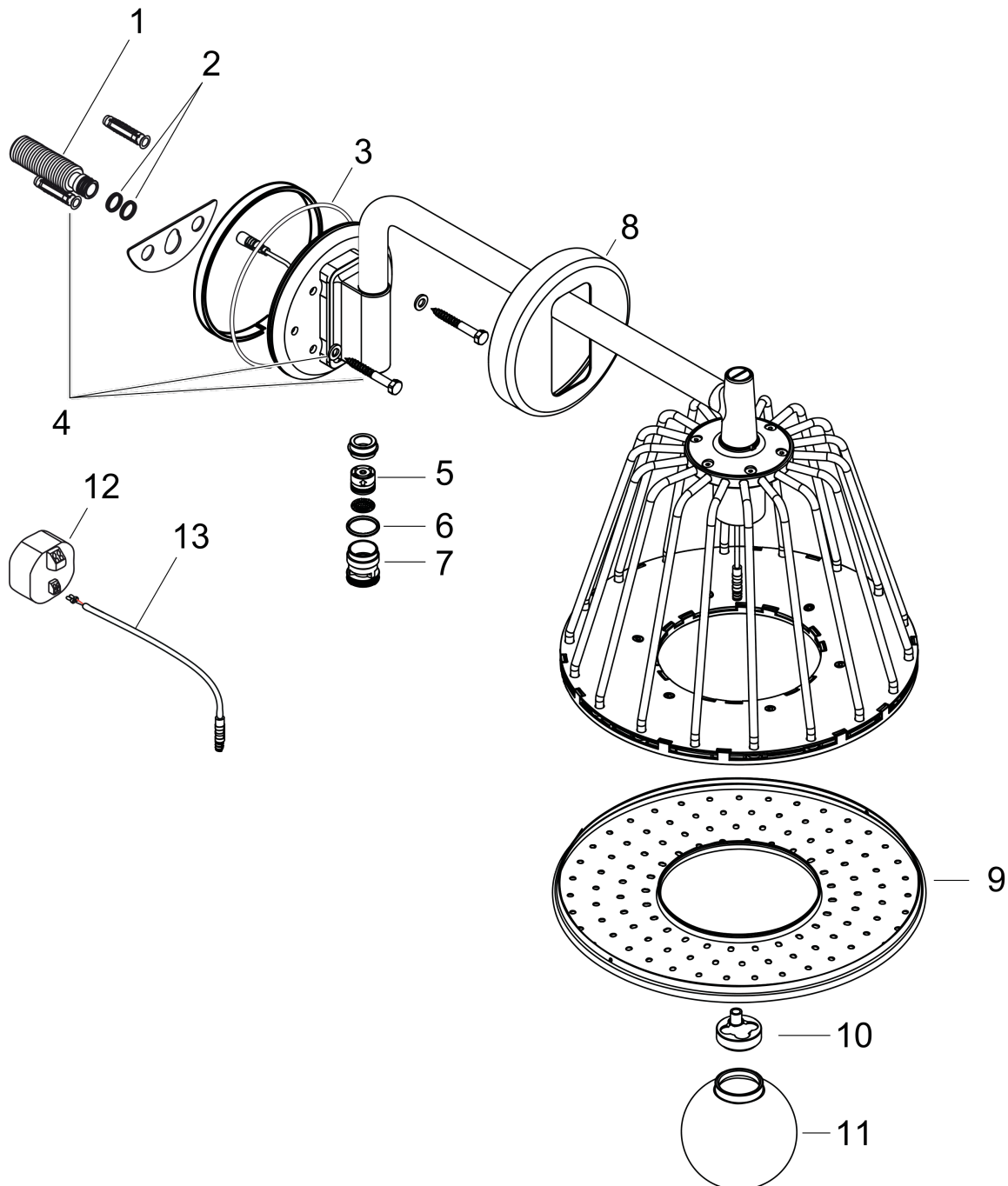


AXOR LampShower/Nendo
Axor 1-Jet LampShower Trim designed by Nendo, Wall-Mounted
Surfaces: **Chrome** Article Number: **26031001**



Exploded Drawing

Year of production: >03/14



AXOR LampShower/Nendo
Axor 1-Jet LampShower Trim designed by Nendo, Wall-Mounted
 Surfaces: **Chrome** Article Number: **26031001**



Spare part list

Year of production: >03/14

| Pos. | Description | Article Number | PC | PU |
|------|-------------------------------|----------------|----|----|
| 1 | connecting thread G½ | 92195000 | 0 | 1 |
| 2 | O-ring 11x2 | 98127000 | 0 | 1 |
| 3 | O-ring 100x2,5 | 98417000 | 0 | 1 |
| 4 | mounting kit | 95430000 | 0 | 1 |
| 5 | non return valve | 97980000 | 0 | 1 |
| 6 | O-ring 17x2 | 98199000 | 0 | 1 |
| 7 | plug | 92202000 | 0 | 1 |
| 8 | escutcheon | 92193000 | 0 | 1 |
| 9 | spray body | 92181000 | 0 | 1 |
| 10 | bulb | 98351000 | 0 | 1 |
| 11 | light glass | 92182000 | 0 | 1 |
| 12 | transformer | 95585000 | 0 | 1 |
| 13 | cable for illumination (12 V) | 95586000 | 0 | 1 |
| a | base body | 26909181 | 0 | 1 |
| b | shower arm cpl. | 92318000 | 0 | 1 |
| c | flow limiter (9 l/min) | 98894000 | 0 | 1 |
| d | Grease | 90920000 | 0 | 1 |