

AXOR Citterio E
Shower module 120/120 for concealed installation softcube
Surfaces: **Chrome** Article Number: **36822000**



Description

product features

- shower head size: 120 mm
- spray angle adjustable in five steps
- field of application: functions as overhead, shoulder or side shower
- spray type: normal spray
- maximum flow rate at 0.3 MPa: 5.3 l/min
- flow rate normal spray (at 0.3 MPa): 5.3 l/min
- fully chrome-plated spray disc
- connection thread: G ½
- in a joined installation (10 mm distance) the use of basic set no.28486180 is recommended
- in a freely arranged installation, connection via a G ½ connecting thread is possible
- if installed as an overhead shower with several joint modules, the use of installation aid no.28470180 is recommended
- connection dimension: DN15
- material: metal
- ACS 18 ACC NY 082, valide jusqu'au 12.03.2023
- Kiwa UK 1503708
- WRAS 1503301

Technology



Design awards



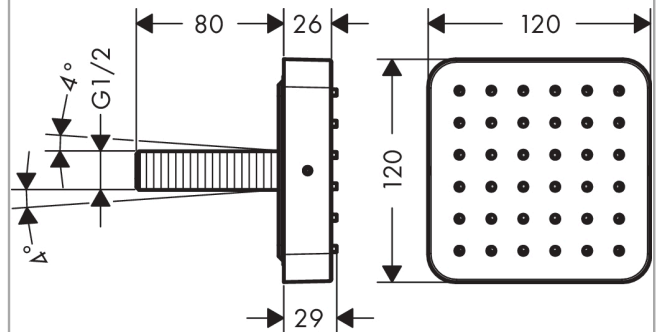
AXOR Citterio E
Shower module 120/120 for concealed installation softcube
 Surfaces: **Chrome** Article Number: **36822000**



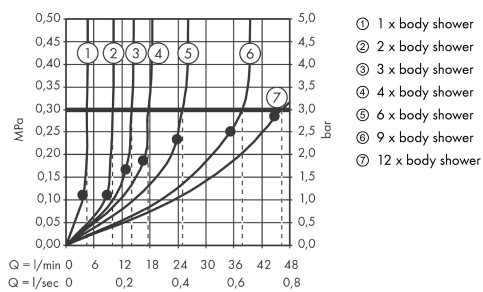
Product image



Scale drawing



Flowchart

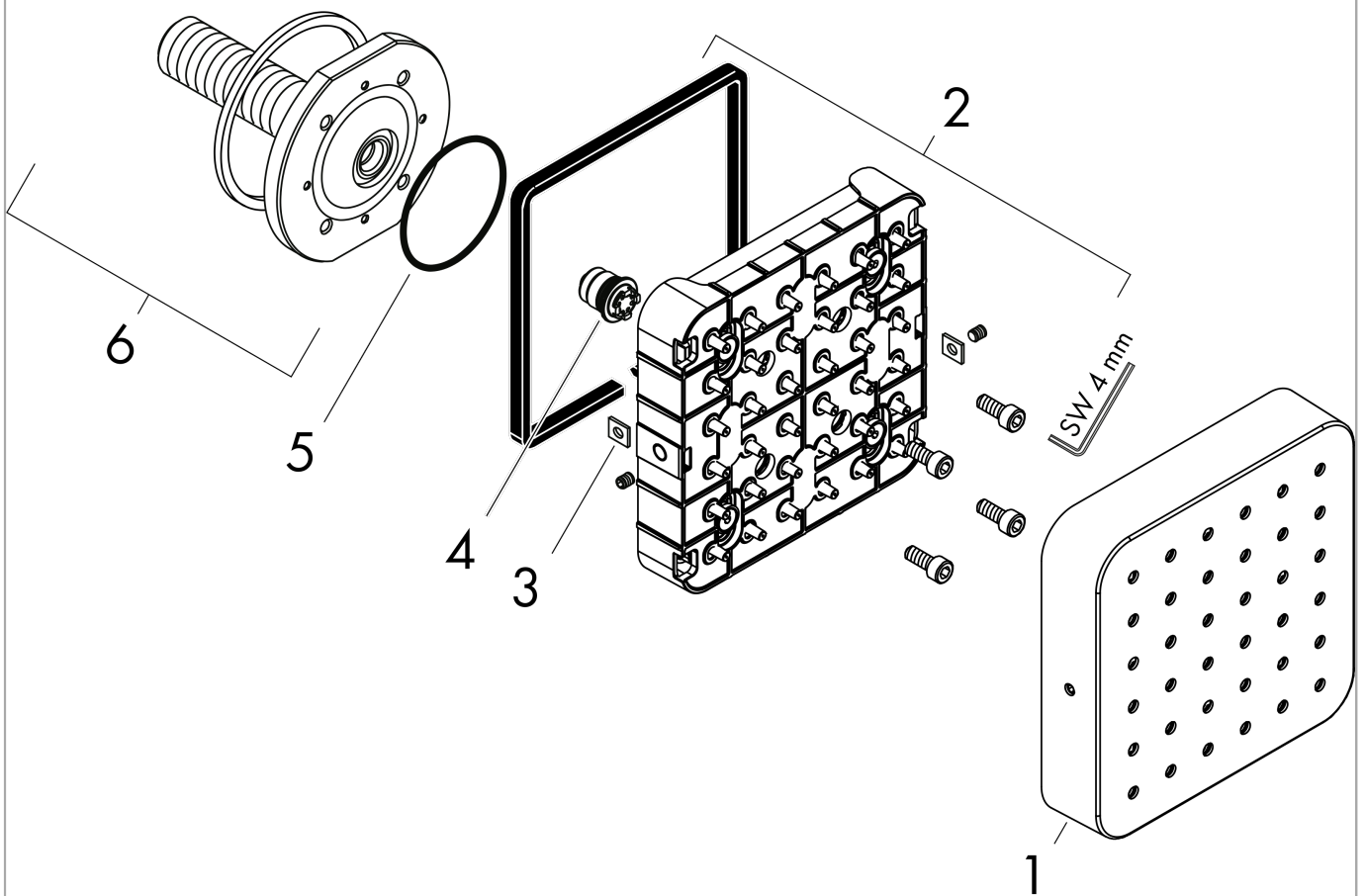


AXOR Citterio E
Shower module 120/120 for concealed installation softcube
Surfaces: **Chrome** Article Number: **36822000**



Exploded Drawing

Year of production: >11/14



AXOR Citterio E
Shower module 120/120 for concealed installation softcube
 Surfaces: **Chrome** Article Number: **36822000**



Spare part list

Year of production: >11/14

Pos.	Description	Article Number	PC	PU
1	frontcover	92459000	0	1
2	spray body	95361000	0	1
3	nut	97794000	0	1
4	flow limiter / non return valve	95363000	0	1
5	O-ring 41x2	98212000	0	1
6	connecting thread	95364000	0	1
a	concealed item	28486180	0	1