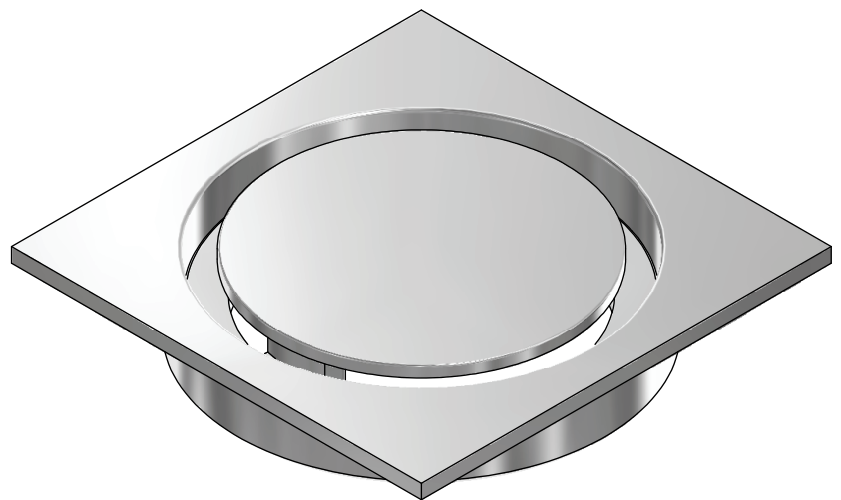
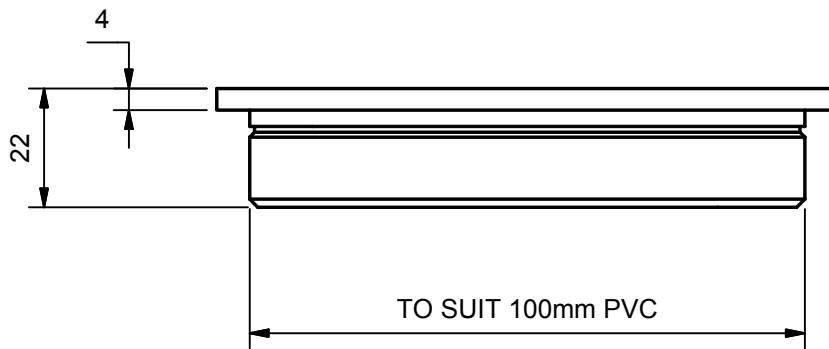
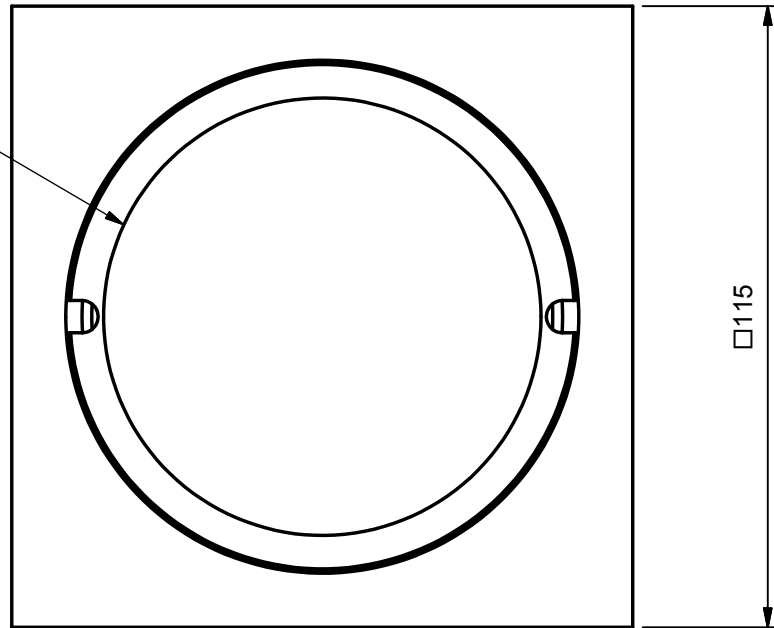


Screw-in Grate



Finishes Available - Codes:

- Standard Surface
- Chrome - HALTSG100PTCP
- Satin Chrome - HALTSG100PTSC

A Key is available for grate removal / installation. Code: HALTSGKEY10080



As part of Ramtaps commitment to quality products, Ramtaps reserves the right to alter the design or specification of it's products without notice.

RAMTAPS PTY. LTD.
556 Curtin Ave. East. Eagle Farm 4009.
Ph. (07) 3633 6000. Fax (07) 3633 6050.

© 2009 All dimensions in mm.
This drawing remains the property of Ramtaps and should not be copied or distributed without Ramtaps consent.

Title
100mm HALO TRAPSCREW FLOOR
WASTE SQ. TO SUIT 100mm PVC

Code:
HALTSG100PTCP

Edition
04

Date of Issue:
11/04/2011