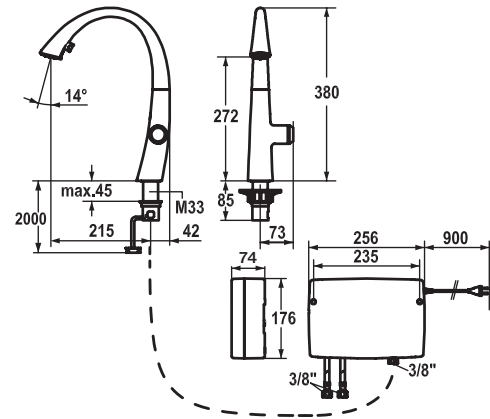


KWC ZOE touch light pro

KWC

Swiss Water Experience



KWC-No.	Finish
10.201.242.127	decor steel
A 215, flexible connection hoses, mains receiver	

Kitchen with LUMINAQUA® LED-technology, touch light PRO

- **Electronic controlled**
- **touch light PRO technology**
- touch»n»flow 1-2-3
- 3 preset temperatures and flow rates
- Position of control unit only possible on the right side
- gap between wall and centre of mounting hole min. 42 mm
- Microprocessor-control
 - touch»n»flow 1: cold water, 50% flow rate can be individually adjusted and saved
 - touch»n»flow 2: warm water, 50% flow rate can be individually adjusted and saved
 - touch»n»flow 3: hot water, 50% flow rate can be individually adjusted and saved
 - cleaning programme
 - duration of water flow - safety indication: switch off automatically after 10 minutes
 - temperature limit can be adjusted
 - hot water disinfection (5 minutes) can be adjusted
 - can be restored to factory settings
- **Covered pull-out spray**
 - ergonomic spout alignment, shape and handling
 - KWC JETCLEAN technology
 - Neoperl® Cascade®
 - automatic diverter reset
 - integrated ON/OFF push-button with automatic shut-off after 30 minutes
 - up to 500 mm pull-out length
 - hose surface to fit faucet surface
- **Hose guide, swiveling 270°**
- **touch light PRO control unit, maintenance-free**
 - up-to-date microprocessor and drive technology
 - tried-and-tested valve technology
 - incl. installation materials
 - designed for wired connection to 1 operating unit (standard)
- Flexible connection hoses 3/8"
- Fastening by means of threaded sleeve M33 x 1.5
- Mounting hole size ø35 mm
- Scope of delivery:
 - Mains receiver 100-240 V / operating voltage 15 V / cable length 900 mm
- To be ordered separately (optional or if necessary):
 - Extension set 1500 mm Z.536.352, comprising: stainless steel hose 1500 mm, 3/8" x 3/8", double nipple, sealing material



WELS Rating : 5 star / 6 Lpm

