

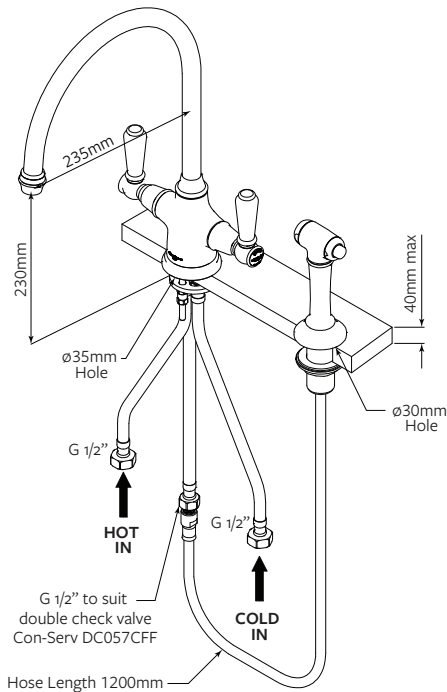
SHAWS

by PERRIN & ROWE®

Ribble

AUSH.4460 - MONOBLOC MIXER

AUSH.4360 - MONOBLOC MIXER WITH SPRAY RINSE



Please Note: This model does not suit incoming water pressure below 100kPa or higher than 500kPa. The spray rinse model requires a minimum inlet pressure of 100kPa to successfully divert the water flow from the main tap to the spray rinse. The stop cocks provided with this tap contain gauze filters. Please ensure your plumber is advised of the minimum and maximum water pressure, and to install the stop cocks as failure to do so voids the tap warranty.

| | | |
|--------------------------|--|------------------|
| Temperature Range | Min 1°C. Max 70°C | |
| Working Pressure | Min 100kPa (14.5psi). Max 500kPa (72.5psi) | |
| Flow Rates | AUSH.4460 | AUSH.4360 |
| | 1 Bar: 12L/min | 1 Bar: 6.2L/min |
| | 2 Bar: 18.8L/min | 2 Bar: 9.4L/min |
| | 3 Bar: 20.4L/min | 3 Bar: 12.0L/min |

Ideal performance obtained with equal hot & cold pressures.

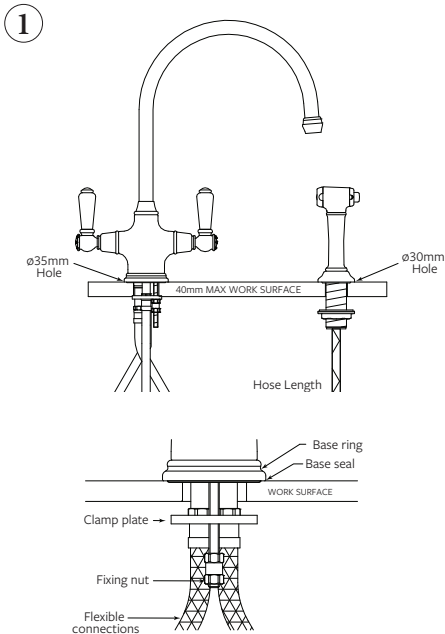
Ribble | INSTALLATION AND USER GUIDE

Congratulations on the purchase of your Shaws by Perrin & Rowe kitchen product. Correctly installed and with sensible care, this product will give you many years of trouble-free service.

INSTALLATION REQUIREMENTS

Perrin & Rowe tapware must be installed by a Licensed Plumber in accordance with the installation instructions provided, best trade practices and must comply to local plumbing regulations in your area. Incorrect installation may damage your tap and could invalidate your warranty.

- Where the inlet water pressure exceeds 500kpa, pressure limiting valves must be installed.
- In-line gauze filters must be fitted in the incoming water supply lines.
- Prior to installation, it is important to flush all incoming water lines thoroughly. Failure to do so may result in issues caused by debris in the water supply such as bits of metal or plastic, dirt, sand, rust, silt, and other unwanted materials. Any problems that arise as a result of inadequate flushing may not be covered by the warranty.
- Please take care of this product before, during and after installation as accidental damage to the tap finish is not covered by the warranty. Please wear gloves when handling 'living finish' models. If further work is to be carried out in the vicinity of the product, please cover it to protect from paint, plaster, adhesives, sealants and cleaning products.
- For ease of possible future servicing, we recommend the fitting of conveniently placed isolating valves.
- Once unpacked, remove fixing nuts, clamp plate, fibre washer and plastic backnut from tap assembly, ready for installation.



Ensure the mixer is oriented correctly, levers should rotate to point forward and the hot index should be situated on the left. Hot and cold hoses are indicated with a red or blue sticker.

1 x $\varnothing 35\text{mm}$ hole is required to mount the mixer. If you have a spray rinse model, an additional $\varnothing 30\text{mm}$ hole located to the left or right hand side of the tap is also required for the spray rinse unit. Maximum counter top thickness is 40mm. Extension kits are available for thicker benchtops.

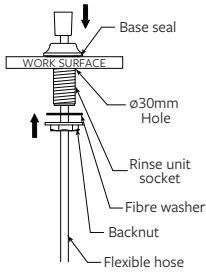
Insert the flexible connectors through the hole, ensuring that the base ring and seal are in place between the mixer and the mounting surface.

From the underside of the counter top, place the clamp plate on securing stud and using the box spanner supplied, place the fixing nut in the spanner and tighten until the mixer is held firmly in position.

If your mixer has a rinse, please follow steps 2, 3 & 4 to install correctly, otherwise please connect the hot & cold water supplies.

Ensure all connections are firmly tightened.

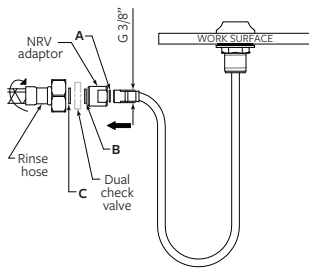
2



Secure the rinse unit socket in a suitable position using a tap wrench of a 36 AF spanner.

Place the flexible hose through the top of the rinse unit socket as shown in the diagram.

3

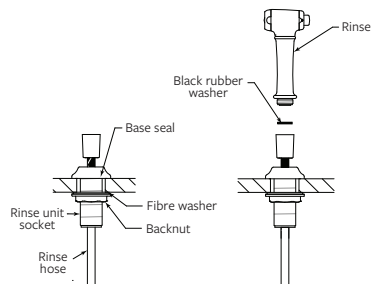
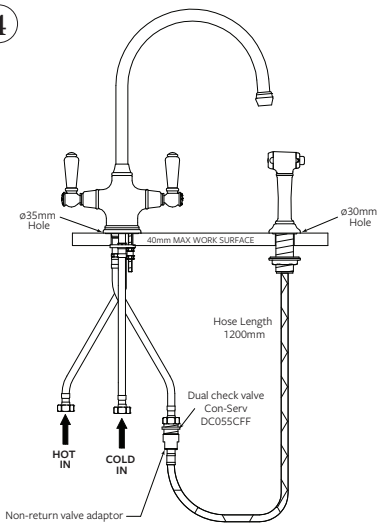


Ensure the black rubber washers are situated inside position A, B (either side of) and C on the rinse hose, including the NRV adaptor in sequence as displayed in the diagram.

Screw the rinse onto the end of the flexible hose from the tap.

Ensure the connection is firmly tightened.

4



Thread the tapered end of the rinse flex hose into the rinse unit, ensuring the rubber seal is in place between them.

Ensure all connections are firmly tightened.

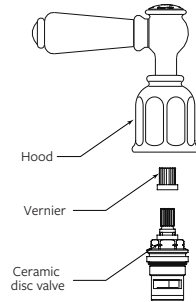
- BEFORE USE**
- Carefully check the installation for leaks
 - If further building work is being carried out in the vicinity, cover the product to avoid damaging the finish.
 - Please ensure the installation complies with the water supply by-laws.

FINE ADJUSTMENT OF LEVER HANDLE POSITION

Once your plumber has installed your tapware, occasionally you may find the levers aren't straight or the logo may be slightly crooked. Every Perrin & Rowe tap handle has a unique white nylon alignment vernier positioned between the spindle of the ceramic disc valve and the base of the lever handle hood. This vernier allows fine tuning of the handle position during or after the initial installation.

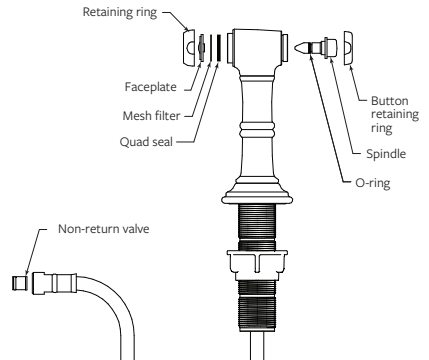
To adjust the handle position:

1. Simply remove the handle by unscrewing the hood in an anti-clockwise direction and pull the handle assembly off.
2. Lift the vernier off the valve spindle or carefully remove it from inside the handle spline using needle-nose pliers.
3. Rotate the vernier slightly
4. Place the vernier back onto the valve spindle, in its new position
5. Replace the handle and check the alignment. Adjust again if required until the alignment is straight.



SPRAY RINSE

The additional bench-mounted spray rinse tap features a flexible 1.2m hose and a simple diverter button which can be activated with a press of your thumb. The water ceases to run through from the main tap, activating the spray rinse to make filling pots, rinsing vegetables, watering plants and washing oversized dishes fuss-free and simple. The spray rinse is an integral component of each tap and cannot be added later to a non-spray rinse tap model.



CARE AND MAINTENANCE

Perrin & Rowe taps and accessories are made in Britain from premium quality brass. Each piece is hand polished and electroplated in a range of beautiful finishes. While our finishes exceed industry standards for thickness and quality, they need appropriate care to maintain the beauty of the product and to preserve your warranty.

Following a simple cleaning routine after use will maintain the beauty of your brassware, and preserve the warranty. Ideally, fittings should be dried with a soft cloth after each use. Clean regularly by dampening a microfibre cloth with warm water combined with a mild PH-neutral liquid soap, then polish with a soft, lint-free cloth to finish. Microfibre cloths are ideal as they are gentle but effective at cleaning brassware without scratching. This approach is suitable for all finishes, except for Gold which should be dried with a leather chamois cloth.

General Tips for all Finishes

- Dry fittings after use with a soft cloth.
- Residue left from soap or cleaning gels can cause blemishes on your brassware. Completely rinse off all fittings with clean water and dry after use.
- Using a soft microfibre cloth, gently clean the fixture regularly with warm water and a non-abrasive PH-neutral liquid soap, then dry with a microfibre cloth. The only exception is the Gold finish that requires a chamois leather cloth.
- To remove limescale, use a 50/50 solution of lemon juice and water. Soak cotton wool in the solution and leave wrapped around the tap for no longer than 1 hour, then rinse clean with water and fully dry with a lint-free cloth. For heavy scaling, the process can be repeated provided the area is rinsed with clean water between treatments to avoid a build-up of citric acid.

Avoiding Damage

- Under no circumstances should harsh cleaning agents containing acidic, caustic or abrasive components such as bleach, alcohol or vinegar-based substances be used.
- Avoid getting household bleach or cleaners on to your fittings when using on surrounding surfaces. Any splashes should be immediately rinsed with clean water and dried - do not allow residue to remain on the metal finishes. To avoid this happening, cover the fixture with a cloth or towel when cleaning around the tapware.
- Do not use abrasive cloths, scouring pads, scrub sponges, steel wool etc. as they may damage the surface.
- To avoid dye and patterning transfer from wet cloths, avoid hanging them over the spout of the tap. Porous surfaces such as nickel, pewter and unlacquered brass finishes may be affected by chemicals in or on the cloth.

Damage caused through the actions described above would not be covered by Perrin & Rowe's warranty.

WATERMARK

Perrin & Rowe manufactures kitchen taps especially for the Australian market using DZR (dezincification resistant) brass of the highest quality, with fittings which are compatible with Australian plumbing standards. WaterMark certification (license number WMKA02818) has been awarded to the Perrin & Rowe tapware which is made for Australia. Perrin & Rowe tapware sold elsewhere in the world is not certified for Australia, contains different brass and plumbing fittings and cannot be legally installed.



WaterMark

AS/NZS 3718
WMKA02818
SAI Global

Perrin & Rowe
tapware

WELS RATING

Perrin & Rowe kitchen tapware has been tested and certified with WELS under the Water Efficiency Labelling & Standards (WELS) scheme with License number 1938.

Shaws by Perrin & Rowe Kitchen Taps have been awarded a WELS 7.5L/min Four Star rating.

Shaws by Perrin & Rowe Spray Rinse Taps have been awarded a WELS 4L/min Six Star rating for the spray tap, and WELS 7L/min Five Star rating for the mixer tap.



WARRANTY AND LIABILITY

Perrin & Rowe tapware, or Shaws by Perrin & Rowe tapware and accessories sold by Luxe by Design in Australia, or via an authorised Australian dealer are warranted to be free from manufacturing defects in the materials and workmanship for 15 years from the date of purchase. Proof of purchase is required and all claims must be accompanied by an Australian approved retail sales invoice.

The Tapware Warranty outlined is subject to the product being installed correctly by a Licensed Plumber in accordance with the installation instructions and adhering to local, state and Australian regulations (AS/NZS 3500). Additionally, in-line gauze filters should be installed, water temperature limitations should be adhered to, and the water supply lines must be adequately flushed before installing the product.

This warranty does not cover damages, defects, or malfunctions resulting from normal wear and tear, incorrect installation or maintenance, accidents, neglect, vandalism, misuse, alterations, modifications, unusual physical or environmental conditions or using the product in an unintended or non-designated application. The warranty does not apply to damage from the use of harsh, abrasive or corrosive cleaners. Please refer to our complete warranty document for full details.

Tapware Warranty

Body of Tap

5 year warranty | 10 year additional parts warranty

Perrin & Rowe will, at its option, repair or replace any faulty tapware with manufacturing faults in the materials or workmanship in the body of the tap for 5 years from the date of purchase. An additional warranty applies for a further 10 years where any warranty claim can be rectified with the supply of replacement product or parts with any labour cost being the responsibility of the customer. This warranty excludes defect or injury to the product caused by or resulting from improper installation, misuse, abuse, neglect, accidental damage or vandalism.

Consumable Components

5 year warranty

Consumable components have a parts replacement warranty for a period of 5 years from the date of purchase. Components include ceramic disc cartridges, flexible inlet hoses, kitchen spray rinse tap hoses, o-rings, washers, non-return valves, poppet valves and aerator inserts. This warranty excludes damage incurred by improper installation, misuse or vandalism.

Electroplated Finishes

Chrome, Nickel, Pewter, Gold, English Bronze.

5 year warranty

Chrome (CP), Nickel (NI) and Pewter (PF) finishes are warranted against manufacturing defects for 5 years from the date of purchase. Please note, Gold (IG) and English Bronze (EB) finishes require a greater level of care and maintenance. The finish warranty is voided by accidental damage before, during or after installation; damage from adhesives, sealants, paint or solvents; or damage due to improper cleaning agents and materials including citric, acidic, corrosive, abrasive or alcohol-based solutions and abrasive cloths and scouring pads. Please refer to the Cleaning and Care Guide for detailed instructions.

Unlacquered Living Finishes

Satin Brass, Polished Brass

No express warranty

Perrin & Rowe living finishes - Satin Brass (SB) and Polished Brass (BR) are unlacquered brass with no coatings applied and are not warranted for any change in colour or finish of the appearance. Living finishes are characterful natural materials and are designed to patina and change over time.

SERVICING AND WARRANTY CLAIMS

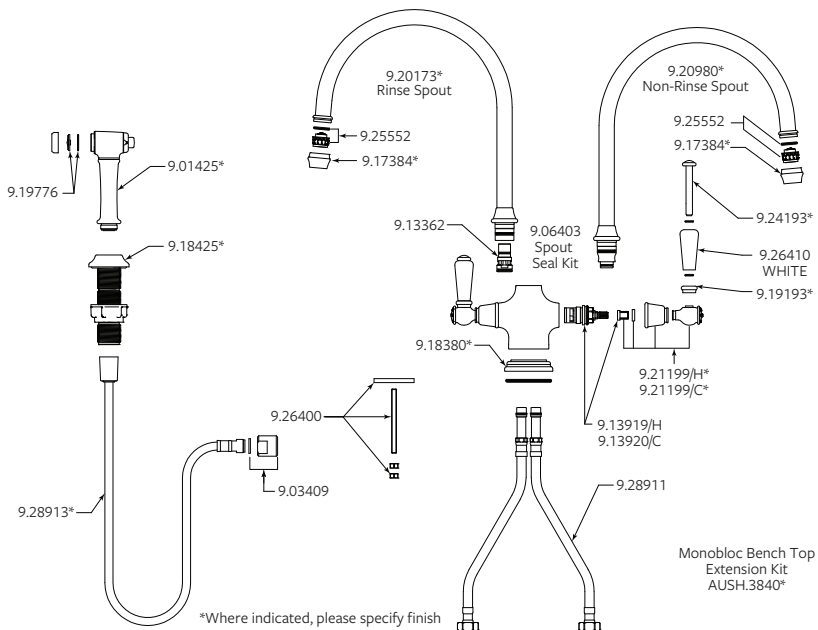
To initiate a warranty claim, please contact the dealer from whom the product was purchased. Proof of purchase will be required. Warranty and servicing claims will be processed by Luxe by Design during regular business hours via a nominated service agent in state capital cities.

The customer will be asked to provide a detailed description of the alleged fault, along with photos or a video to assist in identifying the problem or cause. If Perrin & Rowe determines that a replacement part can be easily installed by the customer to resolve an issue covered by this warranty, the option to provide parts only as a resolution is reserved. In such cases, Luxe by Design will cover the freight costs associated with sending the replacement parts to the customer.

Luxe by Design may request the return of the alleged faulty part for warranty assessment, at their discretion. It's important to note that if replacement products or parts are provided under warranty, the original warranty period remains unchanged and unaffected.

SPARES

If required, spare parts are available for your tap. Refer to the diagram below, taking special note of parts indicated with an asterisk as the finish colour will also need to be specified: Chrome (CP), Nickel (NI), Pewter (PF), English Bronze (EB), Satin Brass (SB), Polished Brass (BR) or Gold (IG). Please note, gold is a special order finish and may have a longer lead time for spares.



LUXE *by* DESIGN

IMPORTERS & DISTRIBUTORS OF FINE KITCHEN AND BATHROOMWARE
07 3265 7133 | 30 French Avenue, Brendale QLD 4500 | aftersales@luxebydesign.com.au | www.luxebydesign.com.au
