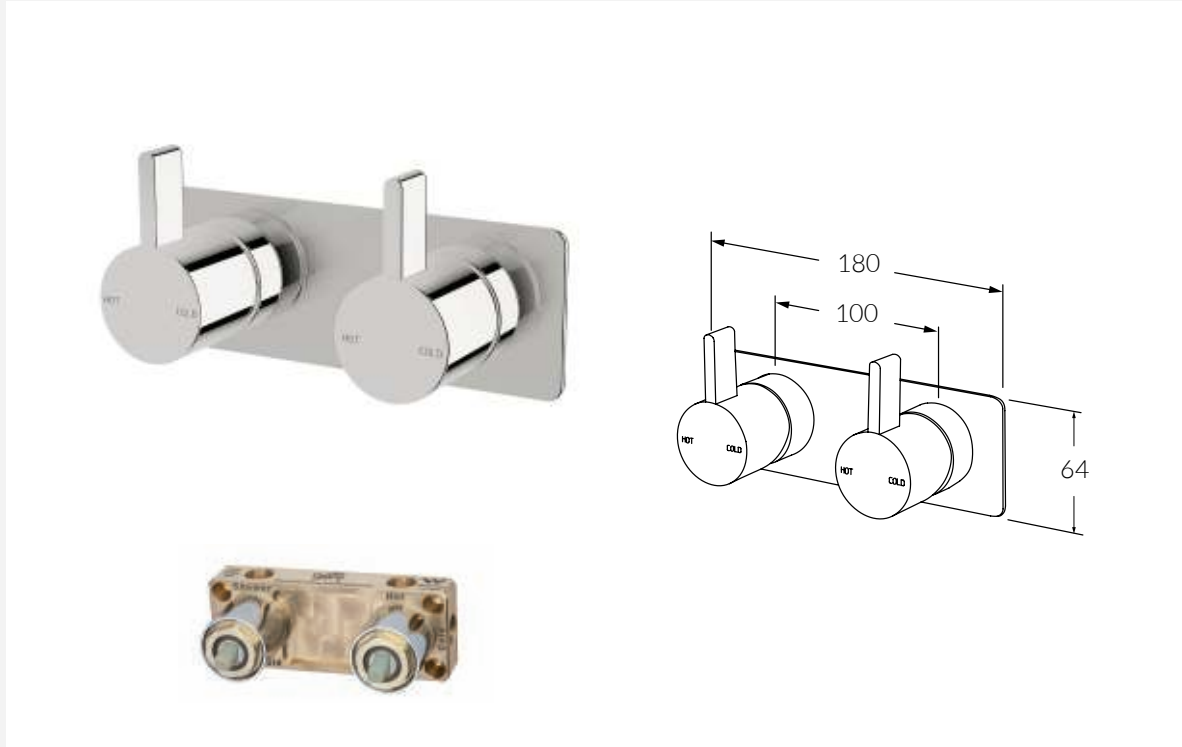


Calibre Dual Mixer System

Product code: CDMS

**FEATURING THE SUSSEX MASTERFIT**

A new innovative all-in-one plumbing unit that simplifies the installation process of mixer and outlet combinations.

- Made in Australia from high quality solid brass
- Precision engineered to Australian Standards
- Significant savings in Cost, Labour and Time
- Easy to install
- Mixers, outlets and backplates fit perfectly every time
- Standards ½" BSP connections for plumbing fittings
- Simultaneous use of two outlets
- Mixer cartridges fully serviceable after installation
- Generous tolerance for wall cover thicknesses
- Simultaneous use of two outlets
- Mixer cartridges fully serviceable after installation
- Generous tolerance for wall cover thicknesses