

PLUMBERS INSTALLATION INSTRUCTIONS

Important Information

- * Wall anchor (1) is only suitable for use in cavity walls with a tiled surface. If installing into a plasterboard cavity wall (untiled) it is recommended that the accessory be attached to the wall in line with a stud or noggin using suitable screws.
- * For cavity wall applications, the total wall thickness must be 8-16mm when using the supplied wall anchors (1).
- * Ensure hole centres are vertical before drilling. Centre of mounting block hole to centre of boss hole is 11mm (Fig. 2)
- * To prevent drill from wandering on tiled surface it is recommended that masking tape be applied before drilling.
- * Do not use robe hook for personal support.
- * Over time, the mounting screw which is used to install the product may be affected by exposure to water, which may cause the screw to rust and loosen. You should periodically check that your accessory is fastened securely to the wall.

Installation

A) DETERMINE WALL TYPE:

Solid Walls: - (Brick, masonry blocks, concrete etc)

- 1) Drill a hole 6mm diameter, 40mm deep for wall plug.
- 2) Drill a hole 6mm diameter, 6mm deep for boss and 11mm apart vertically as shown in Fig. 2.
- 3) Insert rounded end of the wall plug (2) into the top drilled hole and push in until flush with the wall surface.
- 4) Fit the screw (4) through hole in mounting block (10) before inserting into the wall plug (2). Ensure orientation of mounting block (10) is vertical as pictured in Fig.2.
- 5) Check alignment of mounting block before tightening screws (4).

Tiled Cavity Walls: -(Plasterboard/tile, fibre cement sheet/tile)

Note: Total wall thickness must be between 8-16mm when using the supplied cavity wall anchor.

- 1) Drill a hole 8mm diameter for wall plug.
- 2) Drill a hole 6mm diameter, 6mm deep for boss and 11mm apart vertically as shown in Fig. 2.
- 3) Flatten barbs on head flange of the wall anchor (1). Insert the wall anchor (1) into the top drilled hole until the head flange is against the wall surface.
- 4) Fit the wall anchor M4 screw (5) with a washer (6) through hole in mounting block (10) before screwing it into installed wall anchor (1). Ensure orientation of fixing plate (10) is as pictured in Fig. 2.
- 5) Check alignment of mounting block before tightening screws (5).

Untiled Cavity Walls:-(Plasterboard)

- 1) Determine a suitable position to attach the mounting block (10) so that it can be fixed to a stud or noggin in the wall.
- 2) Ensure correct orientation of the mounting block (10) is vertical as shown in Fig. 2. Fit a suitable screw (4) through the hole in mounting block (10) and screw directly into stud or noggin.

B) ATTACH ROBE HOOK:

Loosen the fixing screw (8) on the robe hook using Allen key (9) provided. Install robe hook (11) onto mounting block (10), making sure that the grub screw (8) is located underneath as shown. With robe hook resting securely against wall surface, tighten the fixing screw (8) using Allen key provided (9).

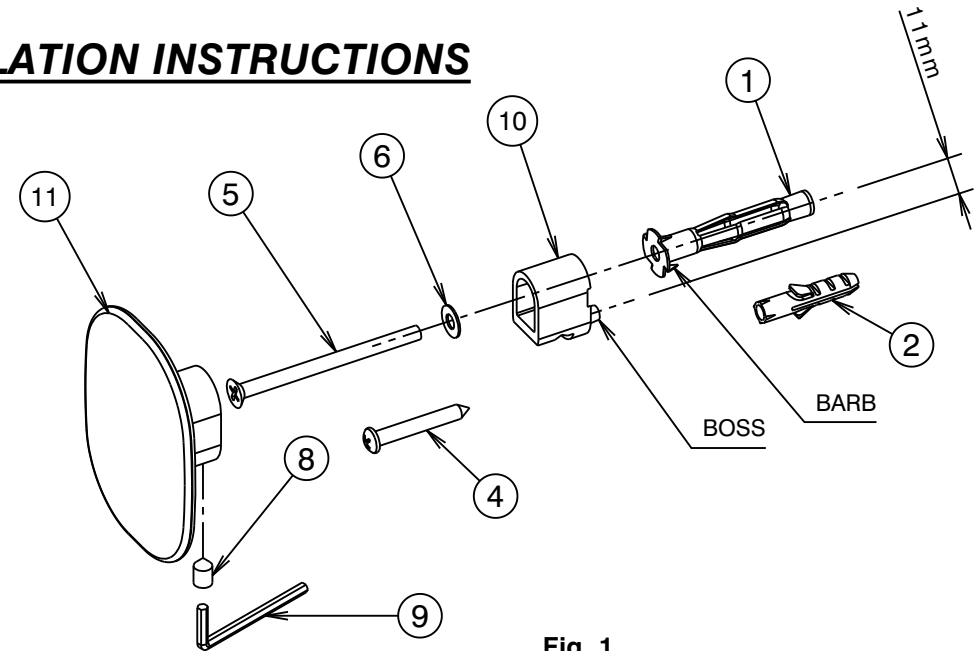


Fig. 1

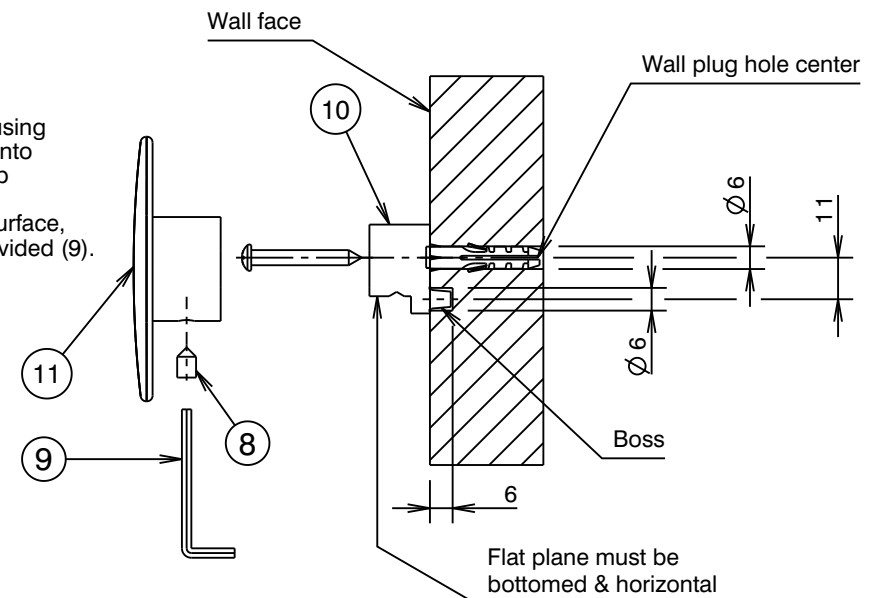


Fig. 2