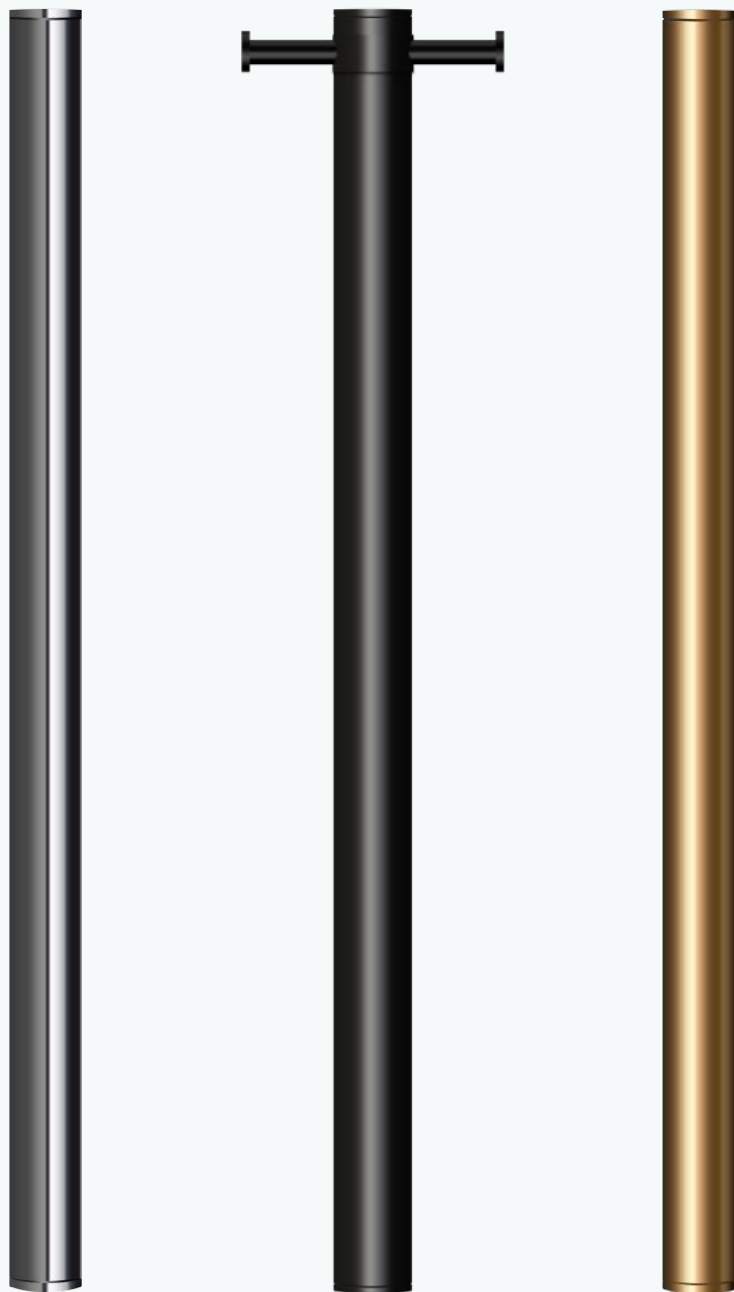


# TUBE - SERIES TOWEL RAILS

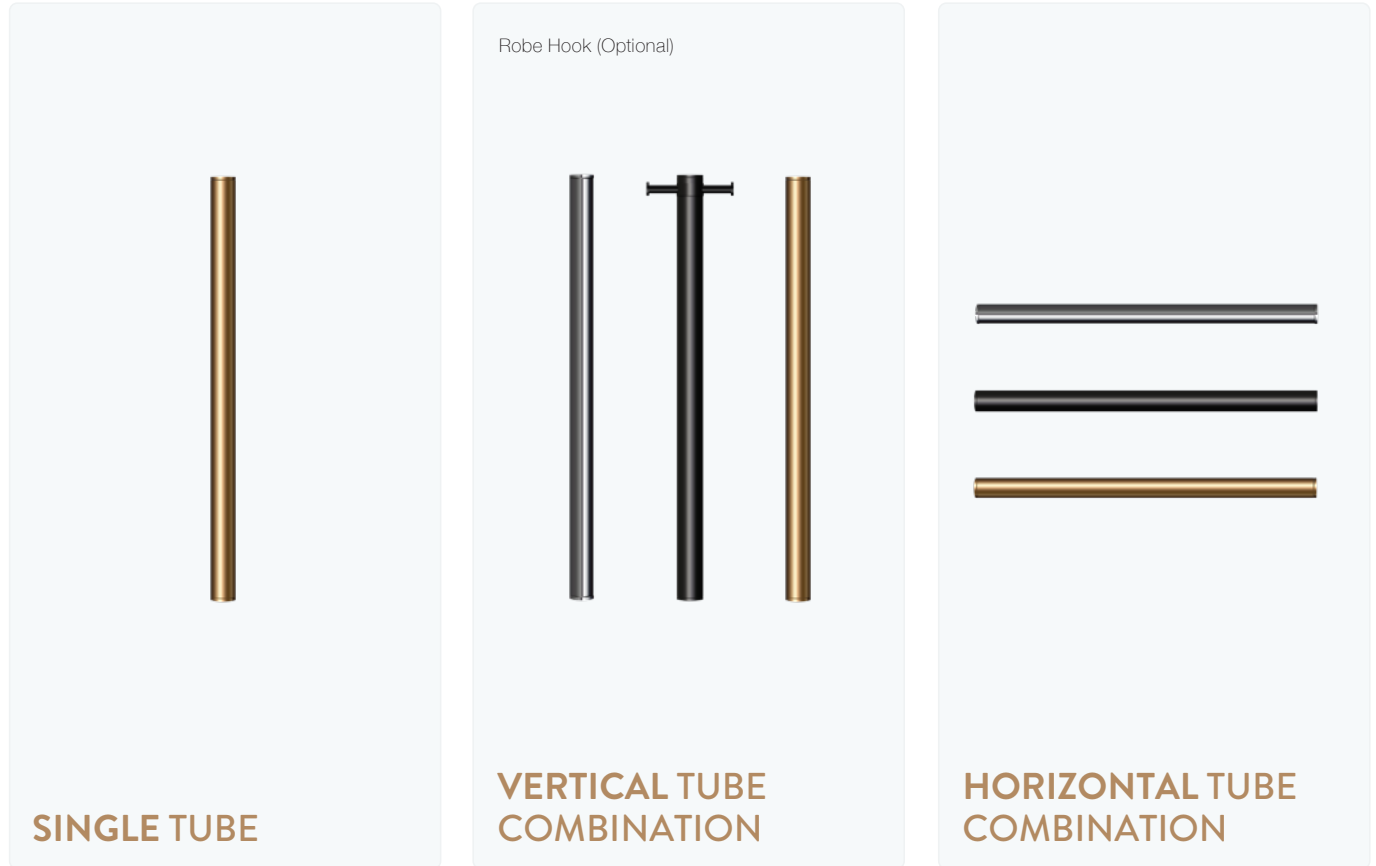


**HYDROTHERM**  
T O W E L R A I L S

ver. 2021-3

## TUBE - SERIES TOWEL RAIL

Hydrotherm's Tube Series boldly focuses on the clean, contemporary design. Uniquely unassuming, the Single Tube has been cleverly designed to function both vertically and horizontally. It's brush 50mm dimensions provide the platform for increased heat transfer and optimum functionality. The Single Tube has the innate ability to complement every individual style.



**Standard Height**  
900mm

**Standard Widths**  
50mm ø tube

**Wattage**  
40-70 watt per tube

**Standard Height**  
900mm

**Standard Widths**  
50mm ø tube

**Wattage**  
40-70 watt per tube

**Standard Height**  
900mm






**Standard Widths**  
50mm ø tube

**Wattage**  
40-70 watt per tube

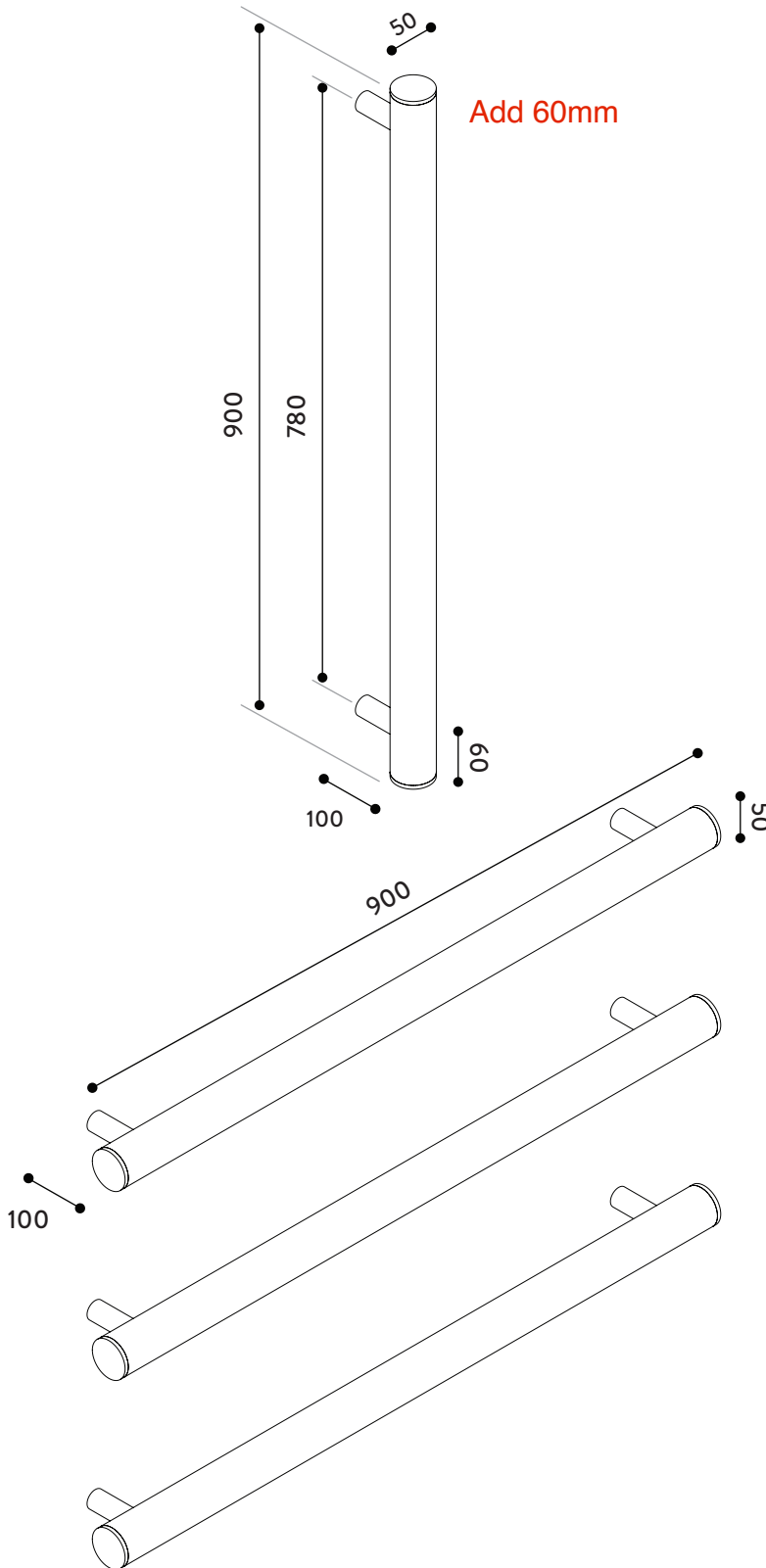
### STANDARD SPECIFICATIONS

<b>Tube Diameter</b> 50mm	<b>Materials</b> Copper tube with brass fittings	<b>Element</b> Low wattage, water element replaceable	<b>Power Cable</b> Through wall bracket Left or Right Side Bottom Only	<b>Safety Rating</b> IPX5 (allows for installation in zone 1 & 2 of bathrooms)
------------------------------	---	--	---	---

### FINISHES & POWDER COAT OPTIONS

-  **Polished Chrome**
-  **Matt Black**
-  **Powdercoat (Custom colors on request)**
-  **Brushed Nickel**
-  **Gold**
-  **Gun Metal**
-  **Brushed Rose Gold**

**TUBE - SERIES** Electric or Non-heated  
Tubes can be hung horizontally or vertically



**SPECIFICATIONS**

**Available Height/Length**

900mm

**Tube Diameter**

50mm ø tube

**Safety Rating**

IPX5 (allows for installation in zone 1 & 2 of bathrooms)

**Finishes**

Chrome / Powdercoat, Brushed Rose Gold, Gunmetal, Brushed Nickel, Gold

**Output**

40-70 watt per tube

**Materials**

Copper tube with brass fittings

**Standards**

AS/NZS:3350

**KEY FEATURES**

**Replaceable Element**

Heating element easily replaced

**Space Versatility**

Tube rail possess unique ability to be mounted Vertically or Horizontally, single or multiple

**Copper Tube**

Ensures ultimate thermal conductivity and radiant heat

**Robe Hook**

Optional robe hook available (Sold separately)

**ELEMENT WATTAGE**

**40 Watt**

Nickel, Gunmetal, Chrome, Gold

**70 Watt**

Black, White, Powdercoat



PROUDLY AUSTRALIAN  
MADE AND OWNED



**3 YEAR**  
ELECTRIC ELEMENT  
MANUFACTURERS WARRANTY



**10 YEAR**  
CONSTRUCTION & FINISH  
MANUFACTURERS WARRANTY

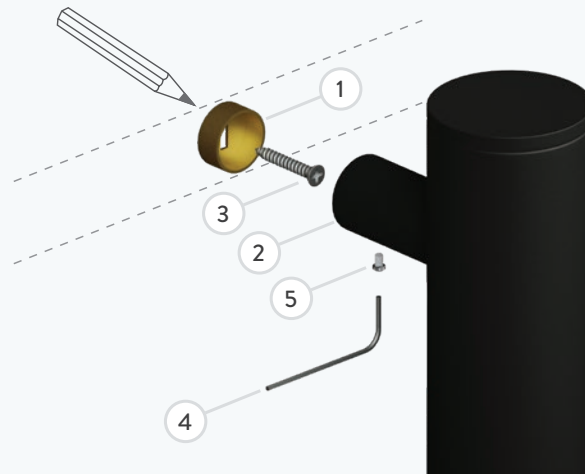
## INSTALLATION

Please Note: The following process must be completed for each individual Tube Rail being mounted. Please ensure that the measurements are taken accurately and that the screw is in a stud or noggin to provide support. **DO NOT** overtighten screws. Please ensure a **DIAMOND HEAD** drill bit is used to drill screw and cord holes into tiled wall.

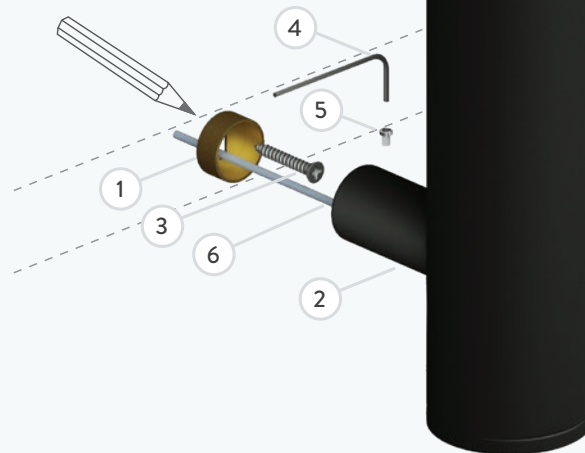
1. Hold Towel Rail in desired position against wall, with a pencil draw an outline around both bracket arms.
2. Take brass bracket insert and place against wall in outlined circle. Feed wall cable through wall mount channel. Using a pencil mark the screw hole position and cross it for accuracy. Mark screw hole for second brass bracket insert.
3. Drill screw holes for both brackets, insert nylon plug into wall (if applicable). If tiled wall installer **MUST** use a **DIAMOND HEAD** drill bit. Position wall bracket so that **GRUB SCREW HOLES** face inwards.
4. **A qualified electrician must then connect towel rail element to existing wall cable.**
5. Place Towel Rail in correct position over mounted brackets, secure unit in place by tightening grub screw on inside of each bracket arm with Alan key provided.

**DO NOT OVERTIGHTEN SCREW - LEAVE SLIGHT ADJUSTMENT OF THE FLANGE (SLACK) TO ENABLE MOVEMENT WHEN THE TOWEL RAIL IS POSITIONED.**

### TOP FIXING



### BOTTOM FIXING



#### KEY

1. Wall Bracket
2. Bracket Arm
3. Fixing Screws
4. Allen Key
5. Grub Screw
6. Power Cable



## WARNINGS

**TOWEL RAILS MUST ALWAYS BE INSTALLED WITH THE ELECTRIC ELEMENT POSITIONED AT THE BOTTOM OF THE UNIT FOR CORRECT HEAT TRANSFER**

Hydrotherm take pride in the fact that all rails are individually hand made. Due to this fact some measurements may not be exact. **PLEASE READ INSTRUCTIONS CAREFULLY** and do not force towel rail into bracket if position of wall flange is not accurate.

## CHANGING ELEMENTS

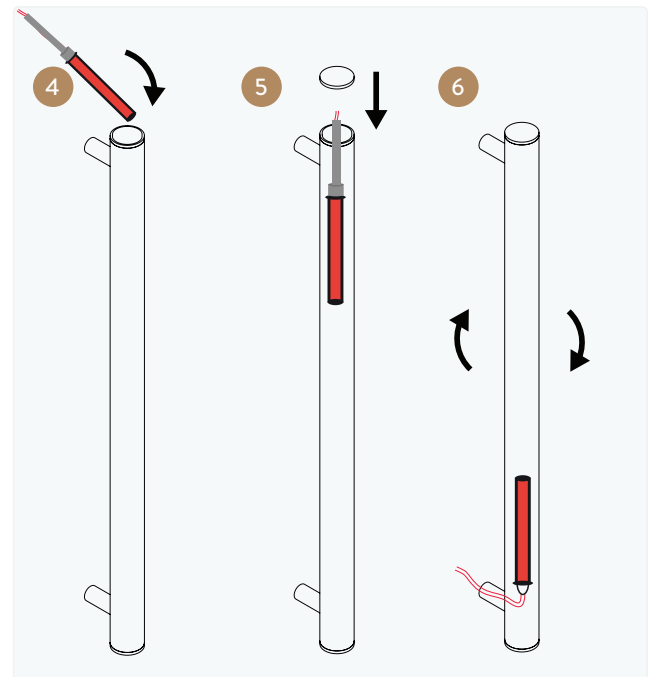
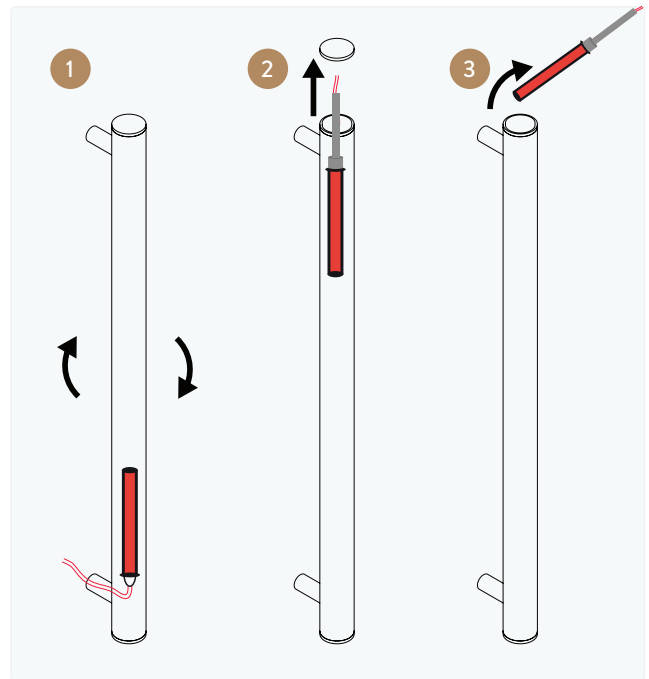


### WARNING

All electrical wiring must be carried out by a licensed electrician.

Please note: Hydrotherm advise that the unit be removed from the wall and turned upside down to ensure that water does not spill. Ensure element always remains at bottom of Towel Rail if being installed vertically.

1. You will need to obtain a 19-20mm tap spanner. Remove towel rail from brackets (if already installed).
2. On the side with the element cable remove push-on cap, and pull element cable through end.
3. Feed cable through spanner until you reach element hex nut.
4. Loosen element with spanner and remove.
5. Insert new element and screw in place with spanner until tight.
6. Feed element cable back through bracket hole, and refit push-on cap. Towel Rail is now ready to be re-installed.



### HARD WIRING

Hydrotherm recommends that all hard-wired heated towel rails be connected to a light switch or timer.

Connecting hard-wired heated towel rails to a light switch or timer will prolong the life of the electric element and reduce energy consumption.

Contact your local hardware store, electrical wholesale outlet, or a qualified electrician to discuss what timers and switches may suit your specific needs best.

All Hydrotherm Elements carry the following approvals.



Elements have a built in thermostat and internal cut out ensuring safety and energy efficiency. All Hydrotherm electric elements can be supplied as 240v or 110v. All electric elements are replaceable and can be easily changed over.

## CARING FOR YOUR TOWEL RAIL

Guidelines for the Cleaning and Care of your Towel Rail



### INSTALLATION

Damage to tapware and bathroom accessory surfaces is often caused by the installation/removal process. So it is highly recommended that you thoroughly inspect your products out of the box, before they are installed. Ensure your tradespeople take special care when handling and installing, using clean hands or gloves and washing off any plumbing product.



**Under NO circumstances should a silicone sealant be used when fitting or handling. If such sealants come into contact with the product, the sealant residue MUST be thoroughly washed immediately.**

Once installed, the fittings need protection until the job is finished. Cover the surfaces to avoid splatters from paint or commercial cleaning products.

### CARE AND MAINTENANCE

Please follow these cleaning and care instructions to best maintain the finish of the product you have selected.

The ideal care for all fittings is to dry them with a soft cloth after each use, which will prevent mineral deposits.

Fittings should be regularly cleaned with warm water or a mild pH-neutral liquid soap and water and polished with a clean soft cloth.

A Microfiber cloth is gentle and effective for cleaning without scratching and needs only to be dampened to clean the product. Residue left by personal hygiene products such as liquid soap, tooth paste, shampoo and shower gel can cause damage. Always rinse these off the fittings with clean water immediately after use.



**Under no circumstances should harsh cleaning agents containing acidic, caustic or abrasive components or citrus, bleach or alcohol based substances be used to clean these fittings and should not be allowed to remain on metal finishes.**

**Avoid dripping or over spraying such cleaning agents by covering the fixtures with a cloth or towel, metal finishes splashed with these products should be immediately rinsed with clean water and dried. Do not use abrasive cloths, scouring pads, scrub sponges, steel wool etc.**

### HOMEOWNERS GUIDE TO PLATED FINISHES

**NOTE: Scouring, steel wool, Scotchbrite, powder or abrasive cleaners should not be used on any plated finishes. This does not apply to uncoated bare brass.**



**CHROME:** The most durable of the electroplated finishes, cleaning as per the guidelines above.



**BLACK CHROME:** High Gloss electroplated finish, not as resistant to scratching or scuffing as standard chrome. Cleaning and care as per guidelines above.



**MATTE BLACK CHROME:** Low Gloss electroplated finish with a microscopically rough surface which gives the matte appearance. Cleaning as per guidelines above. Avoid the use of waxes or polishes as they will fill the surface and give the part a polished look.



**NICKEL AND BRUSHED NICKEL:** Electroplated finishes known as "living finishes" which over time will develop an individual patina, giving it a distinctive classical look, however nickel finishes do require regular care. It is important to clean nickel finishes after use to prevent tarnishing. Water should be dried off and prevented from building up and forming hard water spots (which if left can be difficult to remove). It is highly recommended to clean your tapware regularly as per the guidelines above.



**GOLD:** Products should be only cleaned with a microfiber cloth, warm water and pH neutral liquid soap as per guidelines above.



**UNCOATED BARE BRASS:** As a living finish, un-lacquered brass will mature over time to develop a patina and unique character, typical of old brassware. Always have clean hands when handling brassware. All uncoated bare brass can be cleaned with mild soap and water which will not alter the aging process. Polished uncoated bare brass that has been buffed to a shiny finish; over time the polished brass will garner a patina and the surface lose some of its brightness. Brass fittings can be cleaned routinely with mild soap and water which will not alter the patina development. If desired the shine can be restored with a very mild abrasive cleaner like Brasso.



**SATIN UNCOATED BARE BRASS:** Has a brushed surface which reduces the gleam on the surface. A brushed finish is more susceptible to staining or marks from chemicals or acids as the surface has small 'scratches' which pick up the stain. Therefore, establish a simple routine of rinsing off the tap with warm water and drying it, if it is splattered with cooking acids or chemicals such as toothpaste. If uneven staining occurs, this finish can be refurbished when dry with a gentle abrasive cloth – such as a non-scouring cleaning pad (eg. Scotchbrite). If the surface is polished with a metal polish this will reduce the brushed effect.



**LACQUERED FINISHES:** This is an acrylic lacquer topcoat applied to provide additional protection to soft or low corrosion resistance coatings such as rose gold. Simply wiping and drying with a soft cloth will maintain the finish. Never use abrasives of any nature as these will scratch and wear the coating. Follow guidelines as set out above.

**ANTIQUÉ FINISHES:** Refer to specific guidelines.

## THE HYDROTHERM WARRANTY

Our warranty covers the repair or (At Hydrotherm's discretion) the replacement of any items flawed through impaired workmanship or materials. Hydrotherm Towel Rails possess a 10 year guarantee on the integrity of their construction and finish. The internal heating element carries a 3 year warranty only.

Warranty period commences from date of purchase. Please ensure proof of purchase information is preserved. All warranty issues are to be initiated through original point of purchase, so that an official service call can be lodged through the appropriate channels. From here our After Sales Service Team will act accordingly.

### IMPORTANT INFORMATION

All Hydrotherm Heated Towel Rails are supplied with water, unless otherwise specified. This unit is not designed to be used as a ladder. No responsibility will be taken by Hydrotherm Australia Pty. Ltd for incorrect installation. All warranty will be void if instructions are not followed.

### ELECTRIC MODEL

Electric connection must be installed by a qualified electrician. All Hydrotherm Towel Rails carry an IPX5 rating for use in wet areas. If the electrical cable is damaged, the entire element must be replaced. When connecting, element must be positioned at the bottom of the towel rail. If installed incorrectly, Towel rail will not operate effectively and may cause damage to the element.

### WARRANTY WILL BE VOIDED FOR THE FOLLOWING REASONS

- Failure to provide adequate proof of purchase or similar documentation.
- Hard wired towel rails not installed by a licensed electrician.
- Towel Rails not installed in accordance with State and or National standards.
- Failure to install towel rail in accordance with manufacturers instructions.
- Product used for incorrect applications.
- Service, repairs or alterations undertaken without manufacturers written approval.
- Damage to finish which arise from installation or post installation.
- Failure to adhere to manufacturers care and cleaning directions.



**3 YEAR**  
ELECTRIC ELEMENT  
MANUFACTURERS WARRANTY



**10 YEAR**  
CONSTRUCTION & FINISH  
MANUFACTURERS WARRANTY

### 100% AUSTRALIAN MADE AND OWNED

Manufactured by Hydrotherm Australia,  
96 Commercial Drive Thomastown Victoria 3074

Tel: +61 3 9464 4622  
Fax: +61 3 9464 4722

[www.hydrotherm.com.au](http://www.hydrotherm.com.au)  
[sales@hydrotherm.com.au](mailto:sales@hydrotherm.com.au)



**PROUDLY AUSTRALIAN  
MADE AND OWNED**