



Architectura 2.0 DirectFlush Wall Faced Toilet

S & P Trap | Ceramicplus

Product Image **Product Details**



Code: 5690R1R1S4DB
Brand: Villeroy & Boch
Range: Architectura 2.0
Warranty: 10 Years*
Product Width: 340 mm
Product Depth: 540 mm
WELS: 4 Star 3.5 LPM, Reg #: L05245

Additional Features **Technical Specification**

Required Product
 Matching In wall Cistern

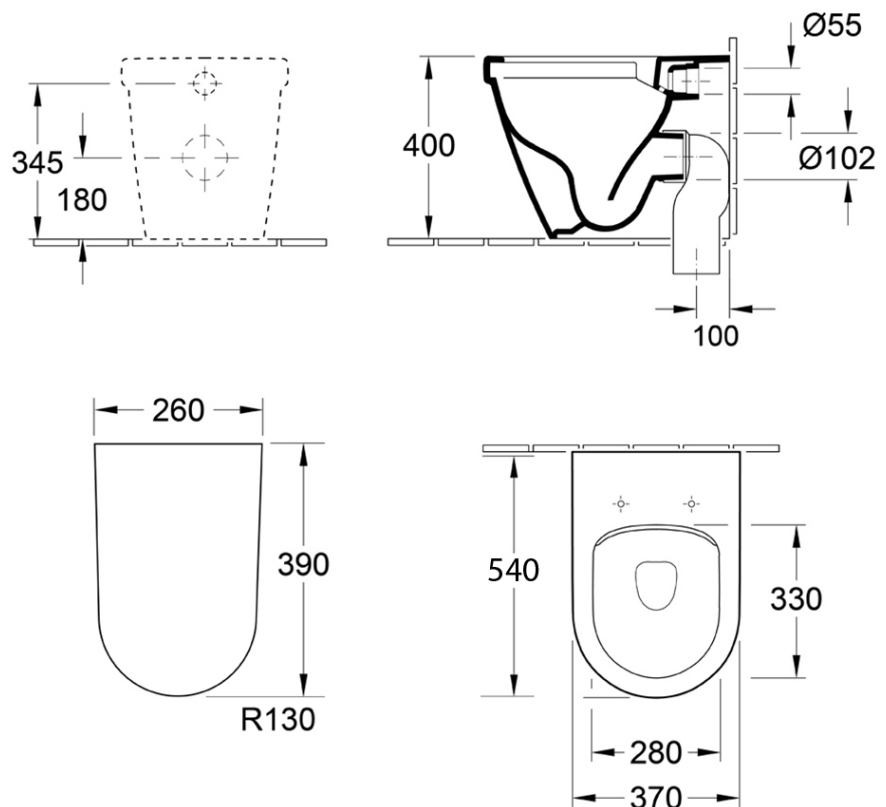
Recommended Products
 ViConnect 92233300 or 92233400
 Cisterns with matching E100 E200 or E300 Flush Plates

Additional Notes

- Villeroy & Boch Direct Flush Rimless Technology
- Soft Close Seat
- CeramicPlus Easy Clean Finish

Installation Instructions

- * S trap set out 100mm
- * Set out of 150mm can be achieved with VT103 Vario bend



*Please visit argentaust.com.au/warranty to view the full warranty

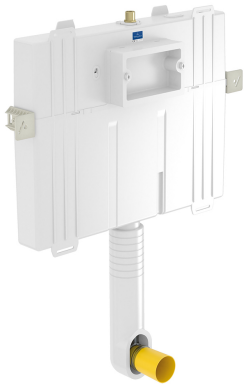
Note: All dimensions are in millimetres and are subject to normal manufacturing variations. Always use the physical product measurements for cut-outs and rough-ins as the technical details shown may differ from the actual product. Use acetic cured silicone sealant. Do not use epoxy type adhesives. Clean with damp cloth. Do not use abrasive cleaners, liquids or pastes.





ViConnect 80 Cistern

Product Image **Product Details**



Code: 92233300
Brand: Villeroy & Boch
Range: ViConnect Cisterns
Warranty: 15 Years*
WELS: 4 Star 3.3 LPM, Reg #: L07676

Additional Features **Technical Specification**

Required Product
 Compatible Flush Plate, Matching Wall Faced Pan

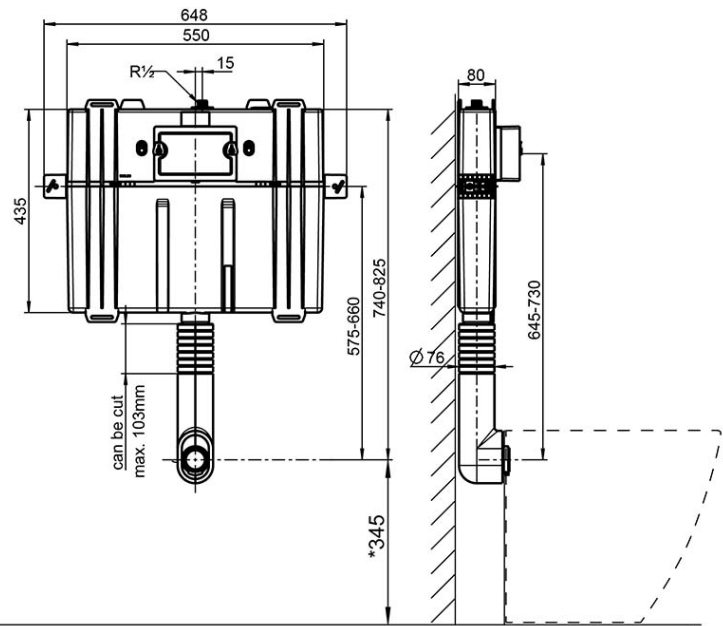
Recommended Products
 E100, 150S, E200, E300 Flush Plate

Additional Notes

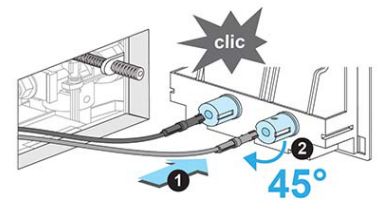
- Qwik Clic Cable Technology

Installation Instructions

* Fits into 90mm wall stud cavity.



*This specification is dependant on the pan being used FINISHED FLOOR HEIGHT ↑



*Please visit argentaust.com.au/warranty to view the full warranty

Note: All dimensions are in millimetres and are subject to normal manufacturing variations. It is recommended to use the physical product measurements for cut-outs and rough-ins as the technical details shown may differ from the actual product. Use acetic cured silicone sealant. Do not use epoxy type adhesives. Clean with damp cloth. Do not use abrasive cleaners, liquids or pastes.

