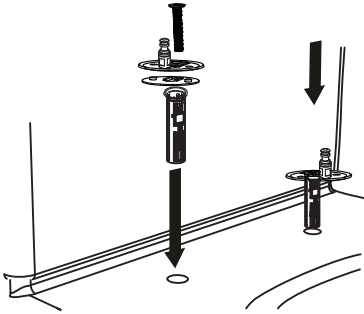


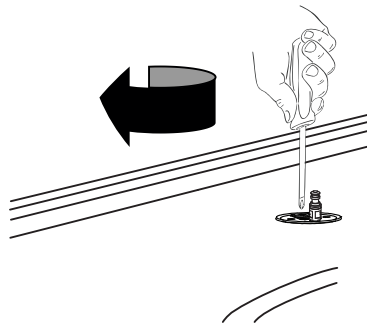
## PN5776 LINFA II SOFT CLOSE SEAT WITH ADJUSTABLE LIFT-OFF HINGES

### INSTALLATION INSTRUCTIONS

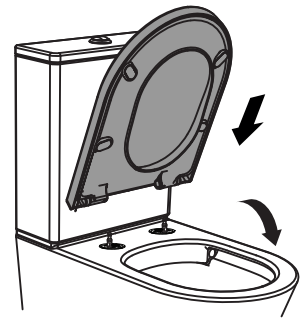
- 1** Attach the washer under the hinge base and feed the screw through the hinge set. Attach the anti drop cartridge and feed it into the pan hole.



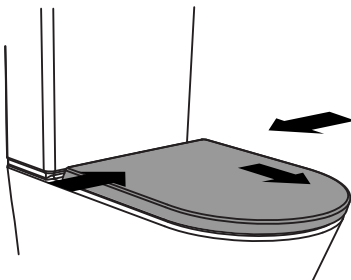
- 2** Using a screwdriver (not supplied) loosely tighten the screw so as to allow for adjustability.



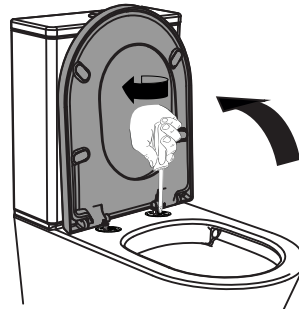
- 3** While hinge pin positions are still adjustable, install seat.



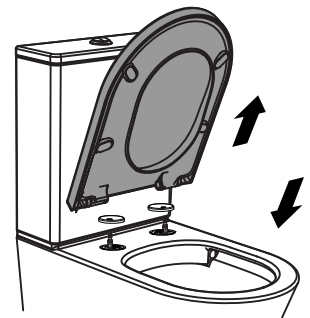
- 4** Adjust seat position so that front of seat is forward to toilet pan by 2-3mm.



- 5** Once in correct position, slowly open seat and cover and tighten the screws so they are firmly fastened using the screwdriver.



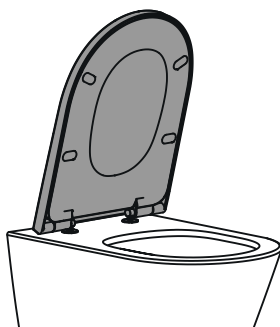
- 6** Gently lift off the seat and install the hinge covers. then replace the seat onto the hinge pins



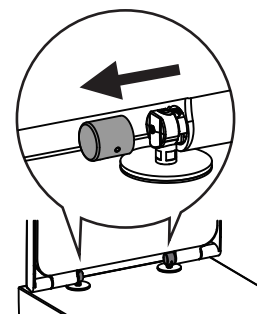
### COMMERCIAL INSTALLATION INSTRUCTIONS



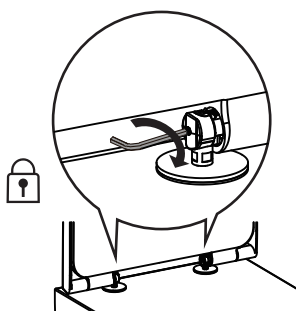
**1**



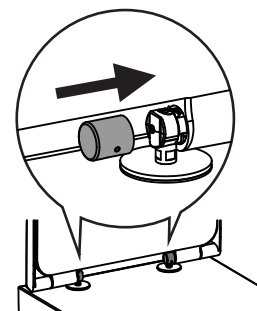
**2**



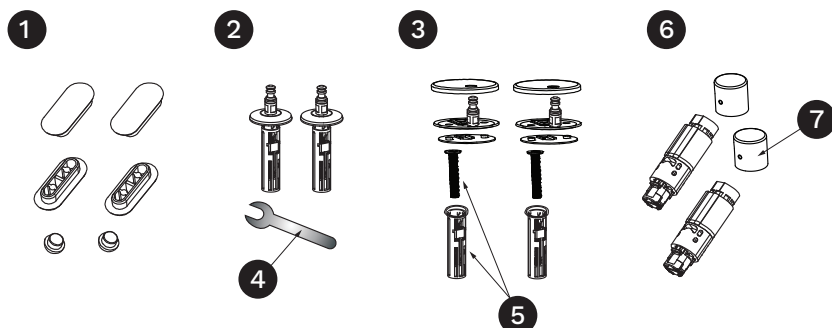
**3**



**4**



## SPARE PARTS



NO.	DESCRIPTION	CODE
1	BUFFER SET	PN0584
2	HINGE SET CENTRIC	PN0586
3	HINGE SET ADJUSTABLE	PN0587
4	SPANNER	PN0588
5	SCREW FIXING (PAIR)	PN0589
6	SOFT CLOSE MECHANISM (PAIR)	PN0590
7	CAP FOR SOFT CLOSE MECHANISM (EA)	PN0591

## CLEANING INSTRUCTIONS

PARISI toilet seats are designed and engineered so that if they are installed and maintained correctly, they will provide many years of reliable use.

Regular cleaning should be undertaken using a mild soap solution to clean the seat.

Please take care to ensure that the seat and hinges are not left damp. Dry off any residual water or cleaning agent with a soft cloth.

When cleaning the toilet bowl, make sure the seat and cover open and in an upright position until all cleaning agents have been rinsed off or wiped dry.

Avoid contact of the seat and hinges with abrasive, corrosive or bleach-based cleaners, as these may cause damage to the seat or lead to degradation of the surface finish and hinge mechanism.

## WARRANTY

PARISI has confidence in their products' quality and function and offer lengthy and comprehensive warranties against manufacturing defects, which are in addition to that required under Australian Consumer Law.

Refer to our website for full warranty terms and conditions:

[www.parisi.com.au/pages/warranty-information](http://www.parisi.com.au/pages/warranty-information)

### PRODUCT REGISTRATION:

Save yourself time and enjoy peace of mind by registering your new PARISI product directly with PARISI.

Simply scan the QR code below and fill in the online form.



[parisi.com.au/pages/product-registration](http://parisi.com.au/pages/product-registration)