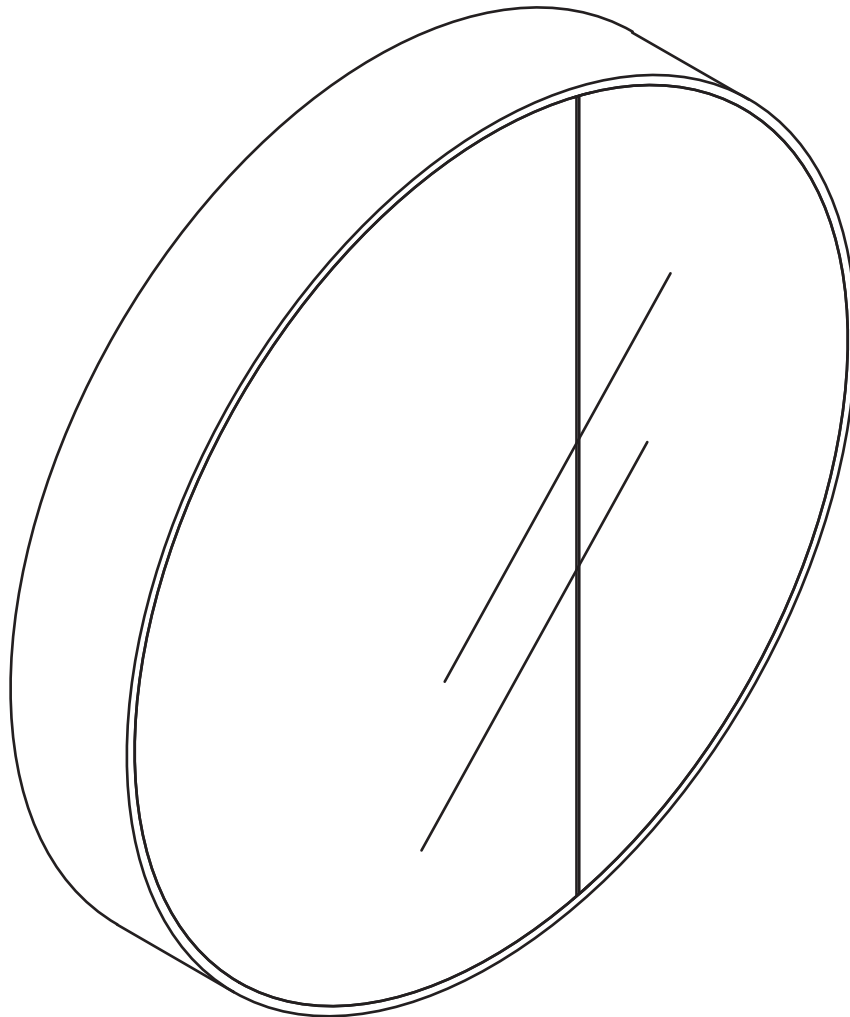


FINO ROTONDO 7500 MIRROR STORAGE CABINET

FI-75RMS

INSTALLATION INSTRUCTIONS



Thank you for purchasing our product.

Please follow the instructions in this manual carefully.

Please keep the manual properly stored for future reference.

Regarding future product updates, the product is subject to change without prior notice.

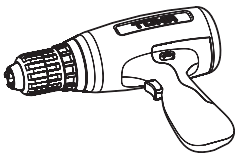
Illustrations in this manual serve as visual demonstration.

In order to guarantee that the product will always function optimally, and to ensure your personal safety, please read and follow these installation instructions carefully before starting.

PRIOR TO INSTALLATION

It is important that the product is unpacked and inspected for any damage, defects and that the product supplied is correct. If any of the above is apparent, DO NOT PROCEED WITH THIS INSTALLATION AND IMMEDIATELY CONTACT THE STORE OF PURCHASE.

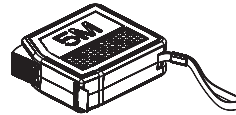
TOOLS REQUIRED FOR INSTALLATION



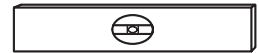
Electric/Battery Drill



Drill Bit



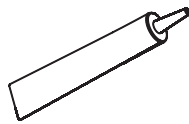
Tape Measure (3-5m)



Spirit Level



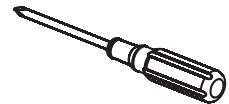
Soft Hammer



Kitchen & Bathroom
Non-Acidic Silicone




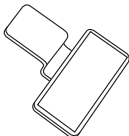


Pencil

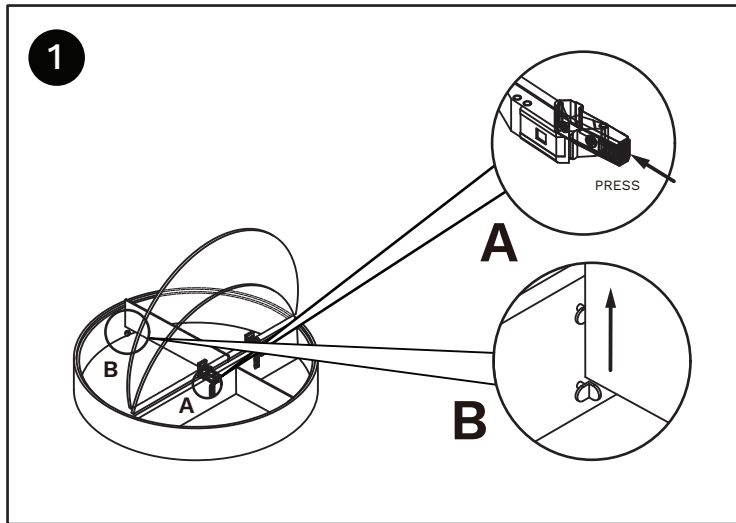


Screw Driver

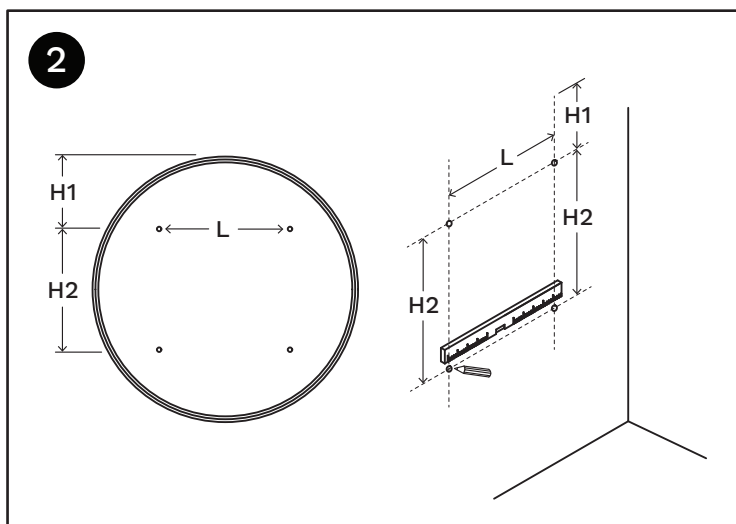
SUPPLIED IN BOX

<p>(A) 8x50 Wall Anchors</p>  <p>x4</p>	<p>(B) 5x60 Screws</p>  <p>x4</p>
<p>(C) Mirror Pins</p>  <p>x4</p>	<p>(D) Fingerpull Handle</p>  <p>x2</p>

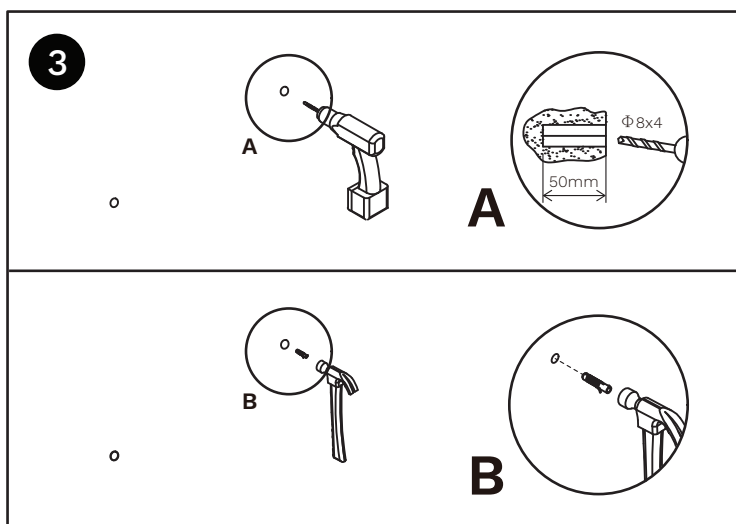
INSTALLATION INSTRUCTIONS



After checking the product carefully remove shelves to enable cabinet fixing to wall.

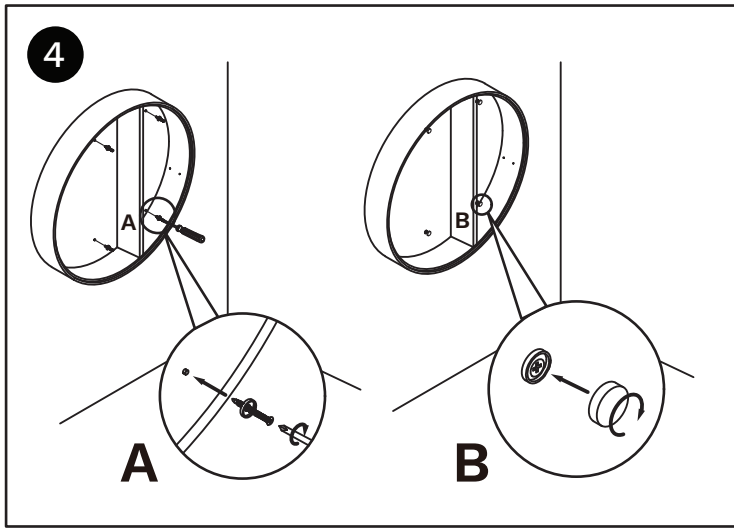


Check measure dimensions for wall fixings.

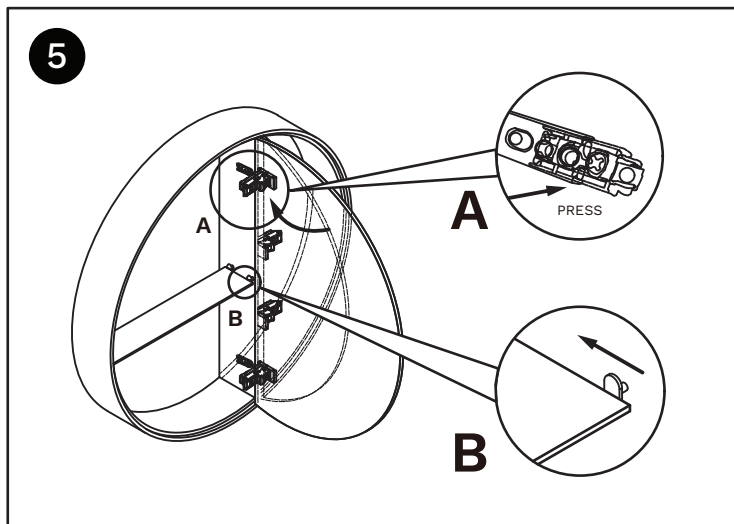


Drill (4x 8mm) holes for fixings. Insert wall anchors.

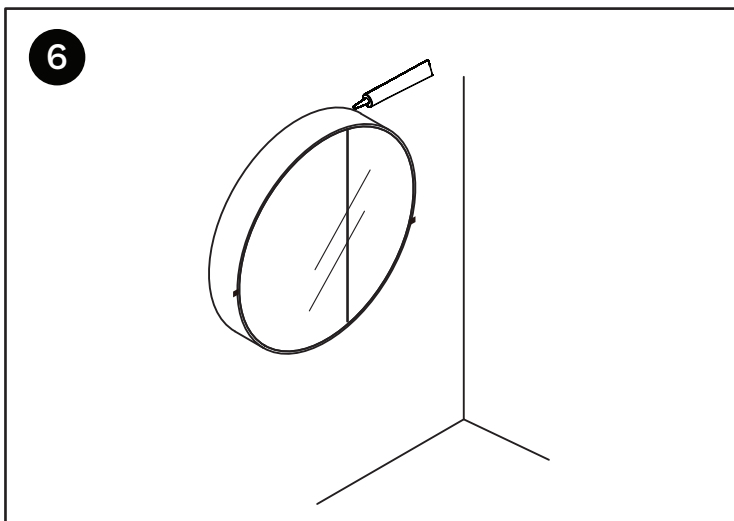
INSTALLATION INSTRUCTIONS



Fix mirror cabinet to wall using the screw cap assembly.



Install hinges and adjust as necessary (see pg 4).
Re-install glass shelves to brackets.

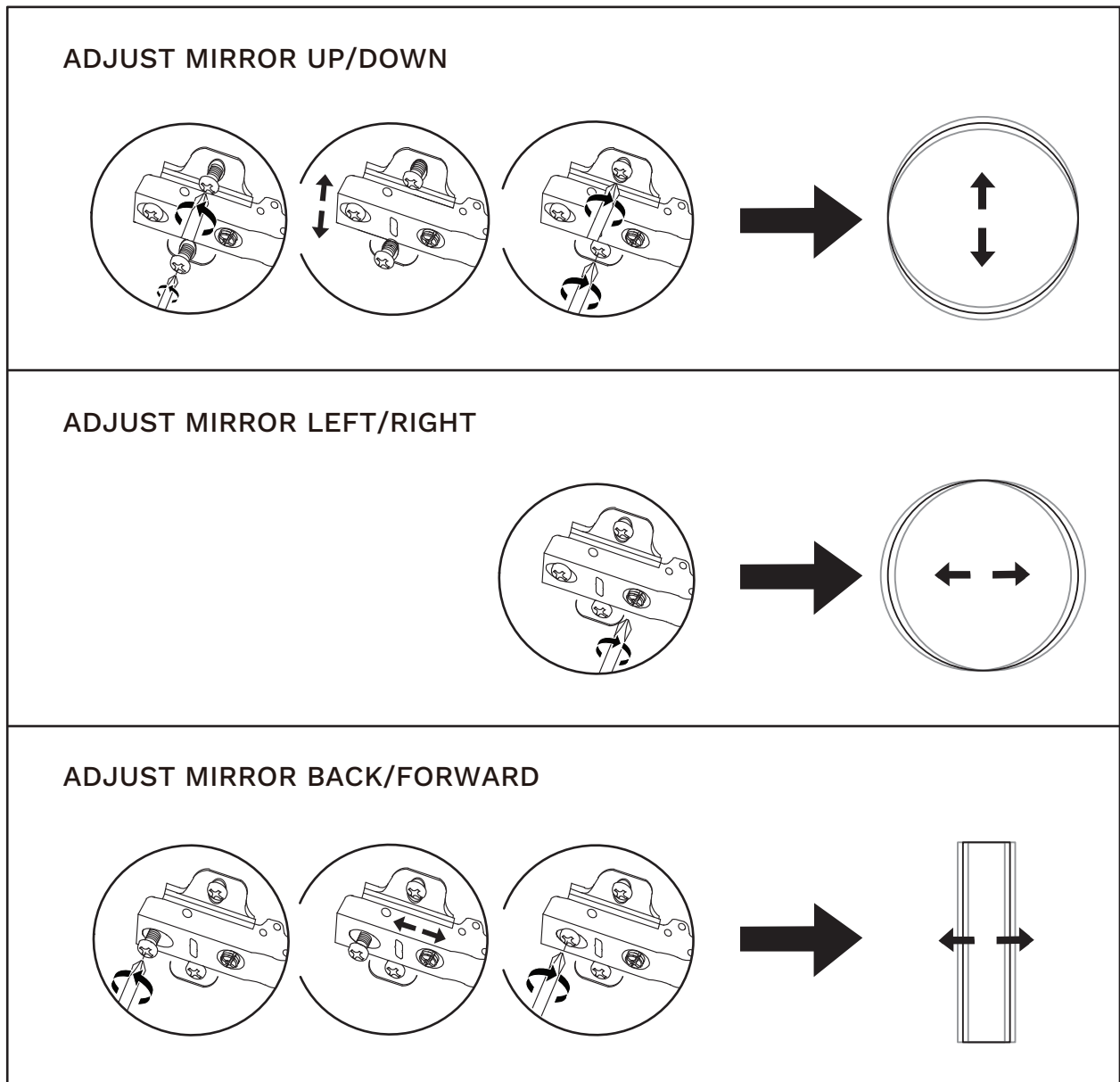


Peel off the 3M seal and stick the handle to the back of the mirror door in the appropriate position.

CAUTION: Handle can not be removed once attached. Damage may occur to mirror and will void warranty.

OPTIONAL Seal cabinet to wall using a bathroom grade non-acidic sealant.

HINGE ADJUSTMENT



IMPORTANT

All mirror cabinets and/or vanities must be installed by a licensed tradesperson. It is imperative that all bathroom installations are ventilated to meet standards.

FAILURE TO PROVIDE VENTILATION TO MEET THESE STANDARDS WILL VOID MANUFACTURERS WARRANTY.

WARRANTY

PARISI offer a lengthy and comprehensive warranty against manufacturing defects, which is in addition to that required under Australian Consumer Law.

Refer to our website for full warranty terms and conditions:

www.parisi.com.au/pages/warranty-information

CARE INSTRUCTIONS

Please refer to PARISI Bathroom Furniture Warranty and Care for details.