

WARNING

Please read this installation guide carefully to avoid personal injury or property damage.

THIS HEATED TOWEL RAIL MUST BE INSTALLED BY A QUALIFIED ELECTRICIAN IN ACCORDANCE WITH AS/NZS 3000 WIRING RULES.

The power voltage is 240V~ 50/60Hz. Use the specified power supply only.

Mains power MUST be turned off before commencing installation, maintenance or repair.

IP RATING 44, Suitable for indoor use ONLY

DO NOT directly spray water on the towel rail.

Children, elderly or those with limited mobility should use this product under supervision
To prevent harm to infants, ensure that the lowest point of installation is at least 600mm from the finished floor level.

FOR SAFETY, PLEASE DO NOT USE THIS TOWEL RAIL FOR ANY OTHER PURPOSE THAN AS A TOWEL RAIL AND A TOWEL DRYER. TO AVOID DAMAGE DO NOT SIT, STAND, LEAN OR HANG ON THIS PRODUCT.

WARRANTY

PARISI offer a lengthy and comprehensive warranty against manufacturing defects, which is in addition to that required under Australian Consumer Law.

Please refer to our website for full warranty terms and conditions:
<https://parisi.com.au/pages/warranty-information>

CONDITIONS THAT WILL VOID THE WARRANTY

- Inability to provide a proof of purchase.
- Installation by an unlicensed person.
- Installation not adhering to these written instructions.

Product Registration:

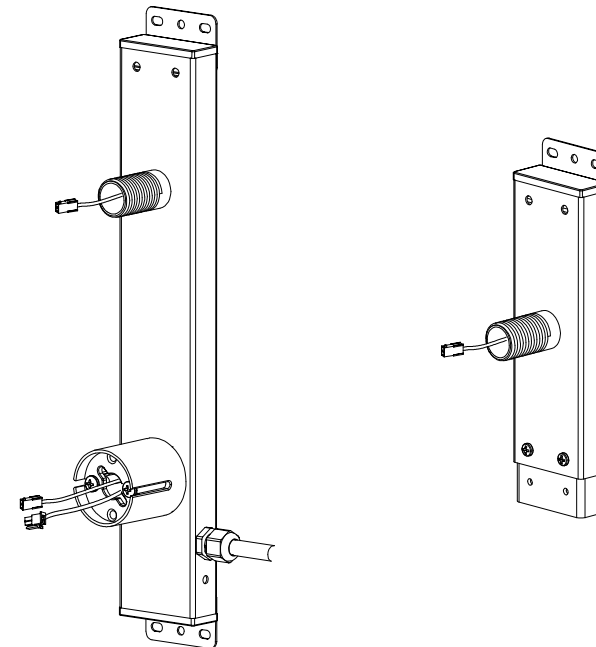
Save yourself time and enjoy peace of mind by registering your new PARISI product directly with PARISI.
Simply scan the QR code below and fill in the online form.



July 2025

TONDO INCASSO

HEATED TOWEL RAIL - INWALL INSTALLATION



INSTALLATION

Heated towel rails can be fixed to ANY type of wall, timber stud, steel stud or masonry (solid or cavity).

This heated towel rail is rated IP44.

Select a suitable location within zone 2 before commencing with the inwall installation.

A

Primary Module Independent Module

The heated towel rail comes with a primary module which includes a controller. Independent modules can be added in order to have multiple rails. It is recommended that a minimum of one primary and one independent module be assembled (2 towel rail minimum) in order to have adequate heat distribution.

B

1 Take the primary module and attach the extension bracket that is supplied with the independent module.

2. Connect the plug as shown in the image above.

C

3. Secure the independent module to the opened end of the fixing bracket and fasten the screws. Attach the protective caps. Repeat steps 1-3 for each additional independent module then cap off the final end.

4. Complete assembly.

D

55
tile
15-20mm (Required)
WARNING: To avoid injury to infants, the lowest towel rail should be a minimum 600mm above the finished floor level.
Ø40

E Calculate the noggin/wall depth considering the finished wall thickness 15-20mm must protrude the finished tile for rail installation.

INSTALLATION

F For stud wall installation (timber or steel) place timber noggins at the correct position so that the in wall component can be fixed using screws.

Ensure the inwall components are installed level, check using a spirit level.

G For masonry wall installation (solid or cavity) channel out a groove into the wall, to imbed the inwall component. Secure using the plugs and screws provided.

Ensure the inwall components are installed level, check using a spirit level.

Wiring — Neutral/Blue, Live/Brown, Ground/ white or yellow
N, L

indoor power cord

Make sure mains power is turned off before wiring. Connect the controller to mains power as per AS/NZS 3000 WIRING RULES.

Apply the protective covers before proceeding. **DO NOT remove the protective covers** until you are ready to install the dress fittings.

H Proceed with required waterproof measures, before completing the rough in installation.

I Once tiling has been completed, remove the protective covers to prepare for the installation of the dress fittings.

Spare Parts - Primary

NO.	DESCRIPTION	CODE
1	PRIMARY MODULE BODY	TO.HTR-IC
2	END CAP	SP.HTR001
3	PROTECTIVE COVERS	SP.HTR002
4	RAIL END COVER	SP.HTR003
5	FIXING SCREW SET (4)	SP.HTR004

Spare Parts - Independent

NO.	DESCRIPTION	CODE
6	INDEPENDENT MODULE BODY	TO.HTR-IA
2	END CAPS	SP.HTR001
7	JOINING BRACKET	SP.HTR005
8	JOINING BRACKET FIXING SCREWS (4)	SP.HTR006
9	RAIL END COVER	SP.HTR007
10	FIXING SCREW SET (2)	SP.HTR008

WARRANTY

PARISI offer a lengthy and comprehensive warranty against manufacturing defects, which is in addition to that required under Australian Consumer Law.

Please refer to our website for full warranty terms and conditions:
<https://parisi.com.au/pages/warranty-information>

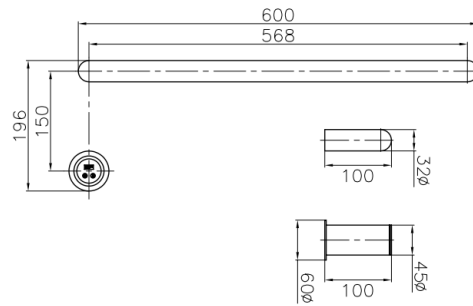
CONDITIONS THAT WILL VOID THE WARRANTY

- Inability to provide a proof of purchase.
- Installation by an unlicensed person.
- Installation not adhering to these written instructions.
- Not following the cleaning and care instructions indicated in this booklet.

TECHNICAL INFORMATION

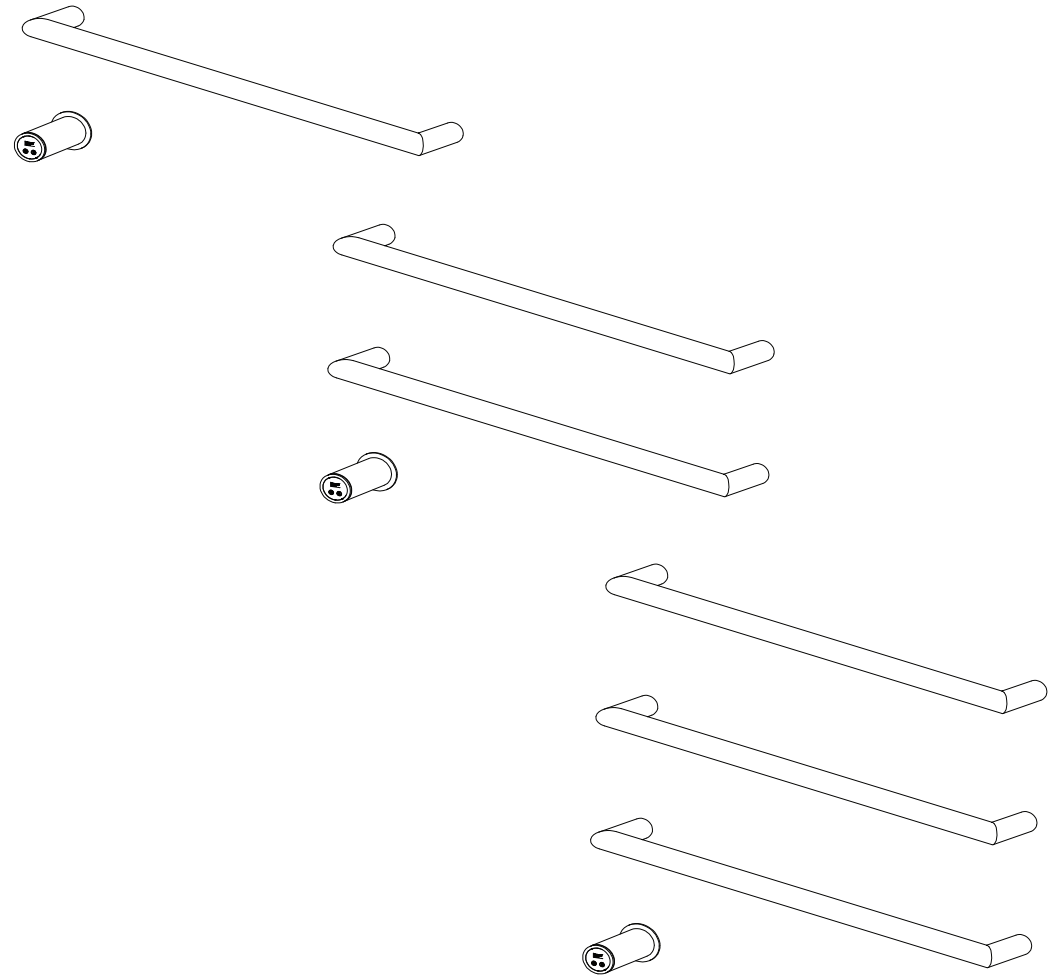
ENVY HEATED TOWEL RAIL	
MODEL	TO.HTR60-A / TO.HTR60
FREQUENCY	50-60 HERTZ
POWER RATING	40 WATTS / 41 WATTS
VOLTAGE	240 VOLTS
HEATING TIME	15-30 MINUTES
HEATING TEMPERATURE	40-60° C
IP RATING	IP44
INSTALLATION METHOD	HARD WIRED WITH INWALL PARTS

PRODUCT DIMENSIONS



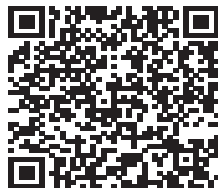
TONDO

HEATED TOWEL RAIL

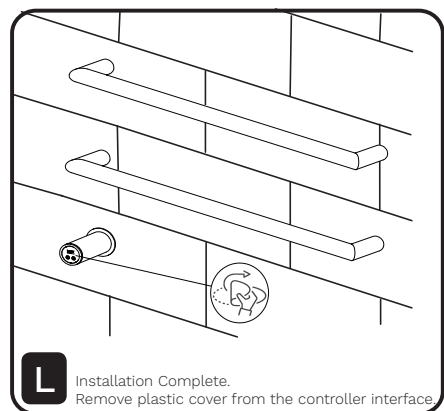
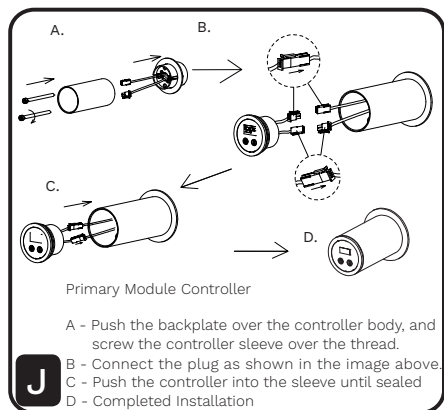


Product Registration:

Save yourself time and enjoy peace of mind by registering your new PARISI product directly with PARISI. Simply scan the QR code below and fill in the online form.



INSTALLATION

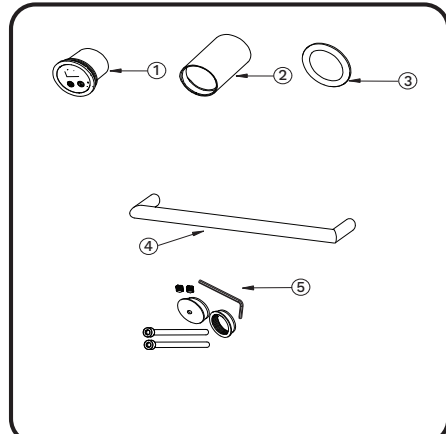
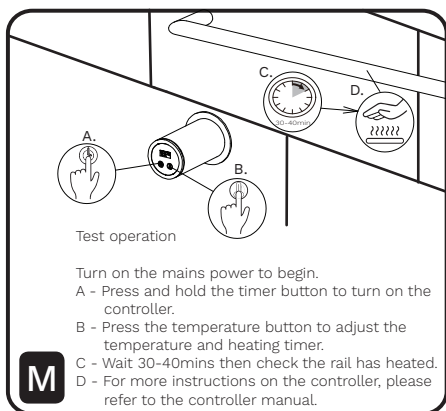
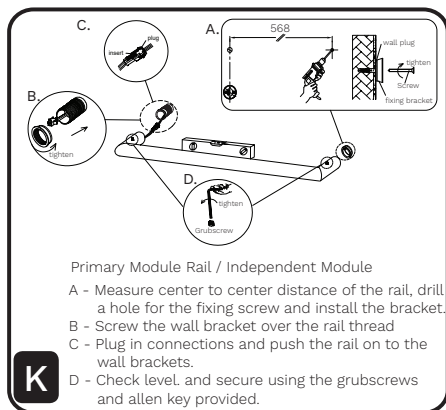


Spare Parts - Primary

NO.	DESCRIPTION	CODE
1	CONTROLLER	SP.HTR009
2	CONTROLLER SLEEVE	SP.HTR010
3	BACKPLATE	SP.HTR011
4	TOWEL BAR	TO.HTR60-D
5	RAIL FIXING KIT	SP.HTR012

Spare Parts - Independent

NO.	DESCRIPTION	CODE
4	TOWEL BAR	TO.HTR60-D
5	RAIL FIXING KIT	SP.HTR012



WARNING

Please read this installation guide carefully to avoid personal injury or property damage.

THIS HEATED TOWEL RAIL MUST BE INSTALLED BY A QUALIFIED ELECTRICIAN IN ACCORDANCE WITH AS/NZS 3000 WIRING RULES.

The power voltage is 240V~ 50/60Hz. Use the specified power supply only.

Mains power MUST be turned off before commencing installation, maintenance or repair.

IP RATING 44, Suitable for indoor use ONLY

DO NOT directly spray water on the towel rail.

Children, elderly or those with limited mobility should use this product under supervision. To prevent harm to infants, ensure that the lowest point of installation is at least 600mm from the finished floor level.

FOR SAFETY, PLEASE DO NOT USE THIS TOWEL RAIL FOR ANY OTHER PURPOSE THAN AS A TOWEL RAIL AND A TOWEL DRYER. TO AVOID DAMAGE DO NOT SIT, STAND, LEAN OR HANG ON THIS PRODUCT.

CLEANING

Regular cleaning will maintain towel rail lustre.

- ✓ Only use clean water to rinse and a soft cotton cloth to dry. Never use abrasive products (such as cleaners, cloths or paper) acidic detergent, harsh cleaners or soap.

✓ = Soft Cotton Cloth

✗ = Acid, Strong Detergent



OPERATION & MAINTENANCE

After power-on, the thermostat enters standby mode, the timing button will blink alternately at intervals of 0.5 seconds.

Hold the timing button on the controller to turn it on.

Press and hold the timing button on the controller to turn off the power when the heated towel rail is not in use. Unless the timer has been set.

For more information on using the thermostat, please refer to the thermostat manual.

NOTE: The heating temperature set by the thermostat is tested under laboratory conditions, i.e., at a constant temperature of 24°C and without wind. However, in actual use, the temperature on the towel rail may differ from the thermostat setting by about 5°C due to variations in environmental temperature and air flow on the towel rail's surface.

The Surface Temperature is high when the towel warmer operates. PLEASE BE CAREFUL!

WARRANTY

PARISI offer a lengthy and comprehensive warranty against manufacturing defects, which is in addition to that required under Australian Consumer Law.

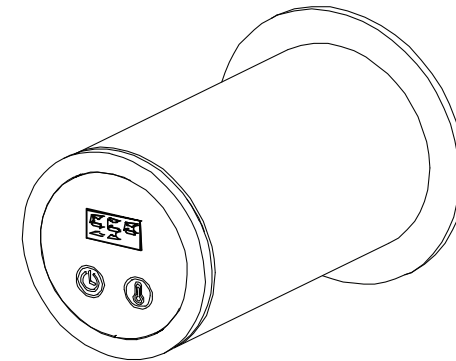
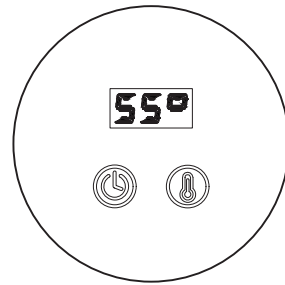
Please refer to our website for full warranty terms and conditions:
<https://parisi.com.au/pages/warranty-information>

CONDITIONS THAT WILL VOID THE WARRANTY

- Inability to provide a proof of purchase.
- Installation by an unlicensed person.
- Operation not adhering to these written instructions.
- Not following the cleaning and care instructions indicated in this booklet.

TECHNICAL INFORMATION

UNIVERSAL CONTROLLER	
MODEL	HTRC
IP RATING	IPX4
MODE OF OPERATION	TOUCH SCREEN CONTROL PANEL
DISPLAY INTERFACE	Time (0-24H) Temperature (40-60°C)
FUNCTIONS & MODES	TEMP MODE/TIMER MODE/STANDBY MODE
AMBIENT TEMPERATURE	-10°C - 40° C
OPERATION VOLTAGE	240V
TEMPERATURE SENSOR	BUILT-IN 25°C / 100 KNTC

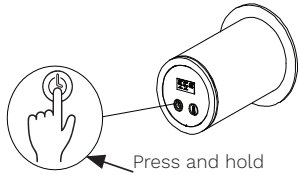
**Product Registration:**

Save yourself time and enjoy peace of mind by registering your new PARISI product directly with PARISI.
 Simply scan the QR code below and fill in the online form.

**UNIVERSAL CONTROLLER
USER MANUAL**

OPERATION

TURN ON THE TOWEL RAIL

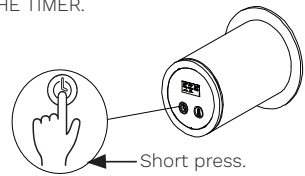


Press and hold for two seconds.

Make sure that mains power is turned on.

A To activate the controller, press and hold the timer button for two seconds.

SET THE TIMER.

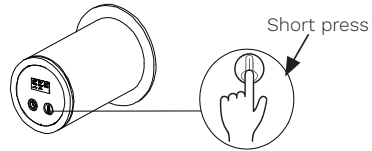


Short press.

Press timer button to set operating time. Select in 2 hour increments over 24 hours. Once selected, it will flash 3x and set. If 0 is selected, the towel rail will maintain a constant heat until powered off.

B Upon power-on, the timer will remember the last set time.

SET THE TEMPERATURE

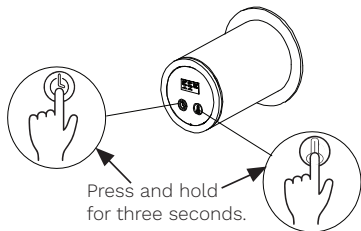


Short press

Press the temperature button to set the operating temperature. Set in 5°C increments between 40-60°C. Once selected, it will flash 3x and set. Default power on temperature is 55°C.

C It is not recommended to run the towel rail at 60°C for an extended period of time

LOCK/UNLOCK THE CONTROL PANEL

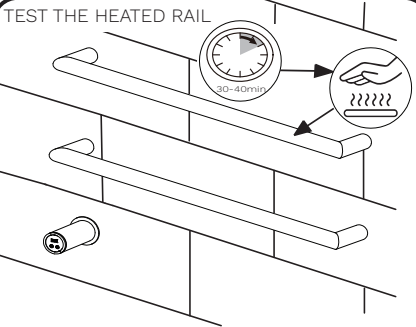


Press and hold for three seconds.

Press and hold the timer and temperature button simultaneously for 3 seconds to lock the controller.

D Press both buttons again for 3 seconds to unlock.

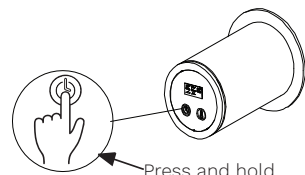
TEST THE HEATED RAIL



30-40min

E The heated towel rail will take 30-40mins to reach the set temperature.

TURN OFF THE TOWEL RAIL



Press and hold for two seconds.

F To deactivate the controller, and switch off the heated towel rail, press and hold the timer button at any time for two seconds.

WARNING

Please read this installation guide carefully to avoid personal injury or property damage.

THIS HEATED TOWEL RAIL MUST BE INSTALLED BY A QUALIFIED ELECTRICIAN IN ACCORDANCE WITH AS/NZS 3000 WIRING RULES.

The power voltage is 240V~ 50/60Hz. Use the specified power supply only.

Mains power MUST be turned off before commencing installation, maintenance or repair.

IP RATING 44, Suitable for indoor use ONLY

DO NOT directly spray water on the towel rail.

Children, elderly or those with limited mobility should use this product under supervision. To prevent harm to infants, ensure that the lowest point of installation is at least 600mm from the finished floor level.

FOR SAFETY, PLEASE DO NOT USE THIS TOWEL RAIL FOR ANY OTHER PURPOSE THAN AS A TOWEL RAIL AND A TOWEL DRYER. TO AVOID DAMAGE DO NOT SIT, STAND, LEAN OR HANG ON THIS PRODUCT.

NOTE: The operating temperature set by the thermostat under laboratory conditions at 24°C this may vary +/- 5°C with use due to variations in the environment such as air flow.

The Surface Temperature is high when the towel warmer operates. PLEASE BE CAREFUL!

CLEANING

Regular cleaning will maintain towel rail lustre.

- Only use clean water to rinse and a soft cotton cloth to dry. Never use abrasive products (such as cleaners, cloths or paper) acidic detergent, harsh cleaners or soap.



✓ = Soft Cotton Cloth

✗ = Acid, Strong Detergent

TROUBLESHOOTING

The heated towel rail will perform a self check upon power up.

- 1.If the thermostat does not respond during use, try adjusting the angle and position of your fingertip relative to the touch buttons.
- 2.If the thermostat still does not respond after repeated touches, try disconnecting the product from power, wait 2-3 minutes, then reconnect the power and turn the thermostat on.
- 3.If the thermostat remains unresponsive after trying the above steps several times, please contact your dealer.

In case of a fault, DO NOT attempt to repair the controller yourself, please contact your retailer. The fault must be resolved before the device can be powered on again.